



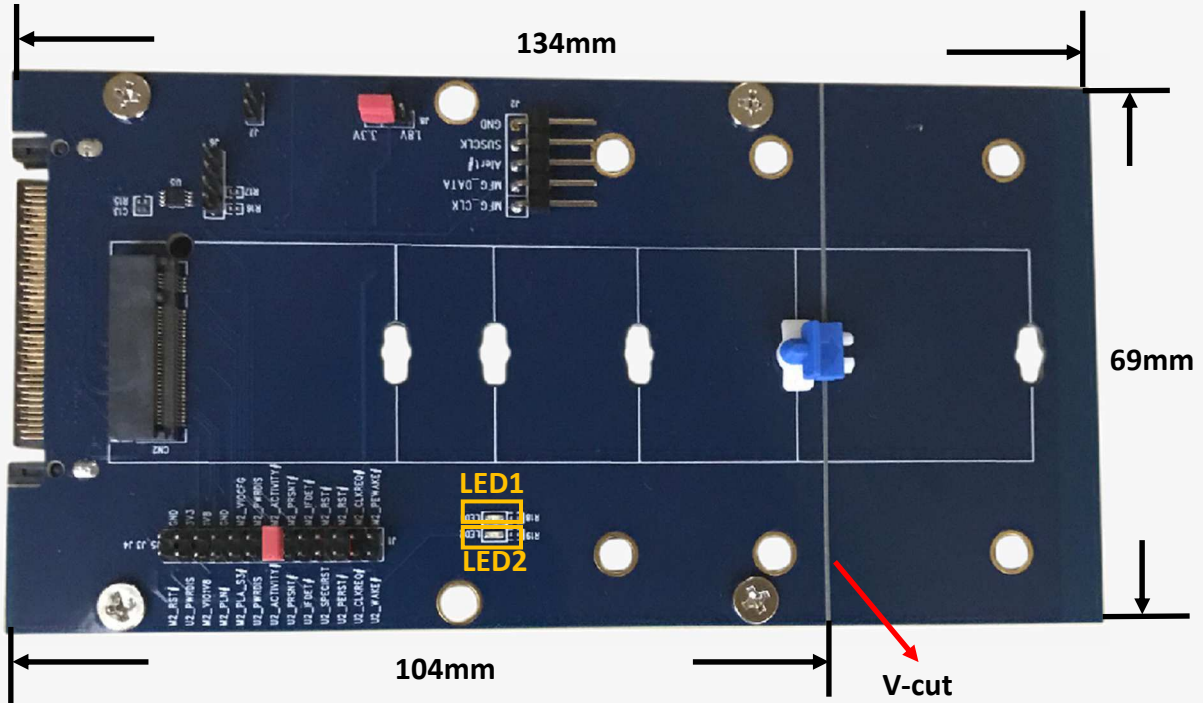
# PCIe Gen5 U.2 To M.2 Adapter Card

**Part Number: PCI5-AD-U2M2-04**

## Change history

REV	Change history	Initiated	Released Date
1.0	New created	Andy Du	Dec. 2022
1.1	Updated the default jumper setting	Andy Du	Aug.2023

## Product Brief

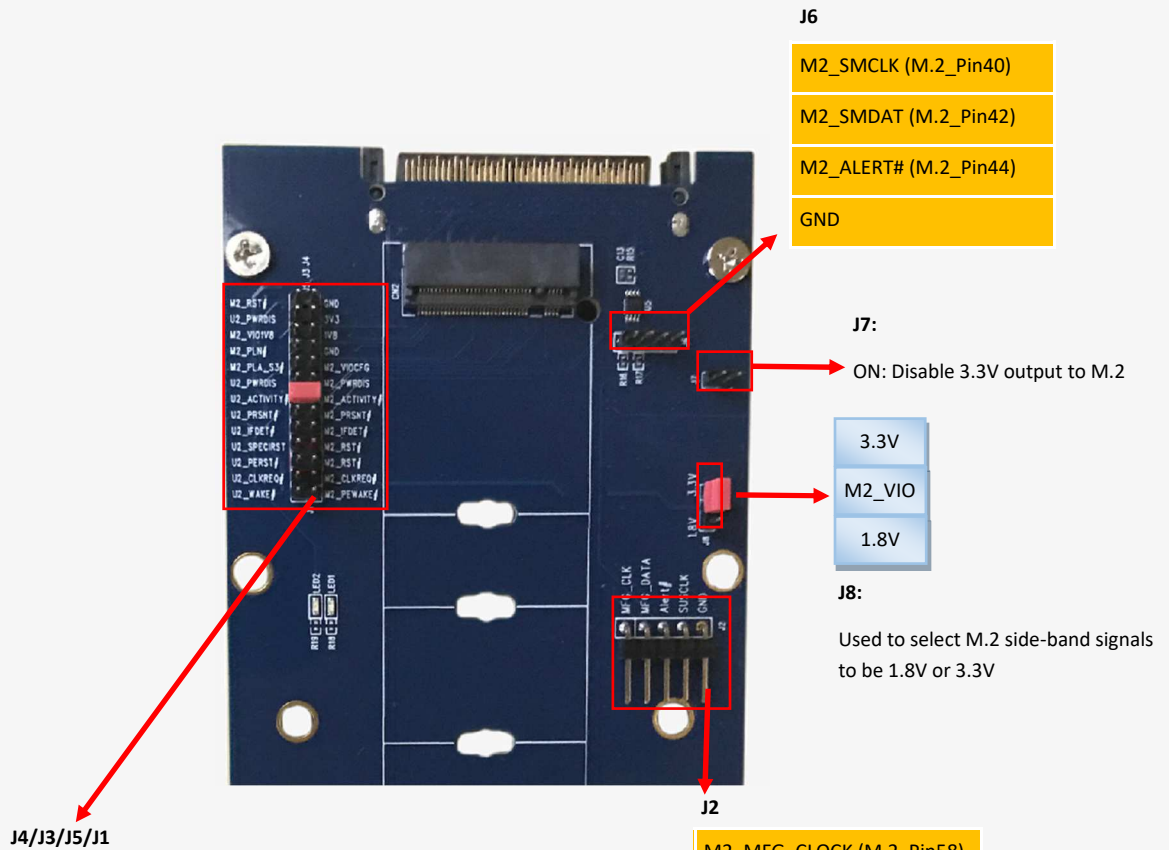


## Hardware Specification

Model	PCI5-AD-U2M2-04
PCBA Physical Dimension	69mm(W) x 104mm(L), not including V-cut and supports up to 2280 M.2 SSDs. 69mm(W) x 134mm(L), including V-cut and supports up to 22110 M.2 SSDs. Thickness .063" +/- 0.008" (1.6mm +/- 0.2mm)
LEDs	LED1: <b>Blue</b> , Power LED. LED2: <b>Green</b> , M.2 Activity LED.
M.2 support	2230/2242/2260/2280/22110



## Functions of Headers



J4/J3/J5/J1

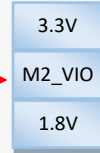
M2_PERST#(M.2_Pin50)	GND
U2_PWRDIS(U.2_Pin P3)	3.3V
M2_VIO1V8 (M.2_Pin22)	1.8V
M2_PLN# (M.2_Pin8)	GND
M2_PLA_S3# (M.2_Pin 30)	M2_VIOCFG (M.2_Pin 73)
U2_PWRDIS (U.2_Pin P3)	M2_PWRDIS (M.2_Pin 6)
U2_ACT# (U.2_Pin P11)	M2_ACT# (M.2_Pin 10)
U2_PRSNT# (U.2_Pin P10)	M2_PRSNT# (M.2_Pin 1)
U2_IFDET# (U.2_Pin P4)	M2_IFDET# (M.2_Pin 69)
U2_SPCIERST (U.2_Pin P2)	M2_PERST# (M.2_Pin 50)
U2_PERST# (U.2_Pin E5)	M2_PERST# (M.2_Pin 50)
U2_CLKREQ# (U.2_Pin E4)	M2_CLKREQ# (M.2_Pin 52)
U2_WAKE# (U.2_Pin P1)	M2_PEWAKE# (M.2_Pin 54)

J6

- M2\_SMCLK (M.2\_Pin40)
- M2\_SMDAT (M.2\_Pin42)
- M2\_ALERT# (M.2\_Pin44)
- GND

J7:

ON: Disable 3.3V output to M.2



J8:

Used to select M.2 side-band signals to be 1.8V or 3.3V

- M2\_MFG\_CLOCK (M.2\_Pin58)
- M2\_MFG\_DATA (M.2\_Pin56)
- M2\_ALERT# (M.2\_Pin44)
- M2\_SUSCLK (M.2\_Pin68)
- GND