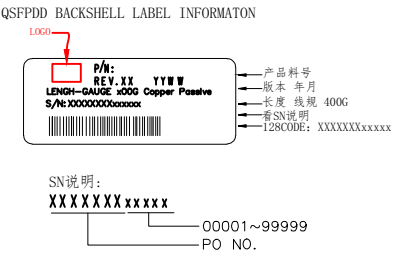
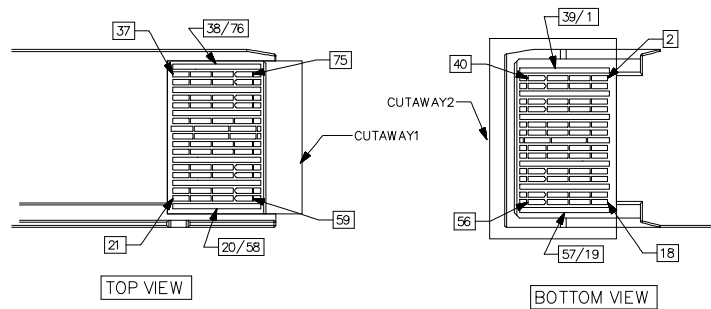
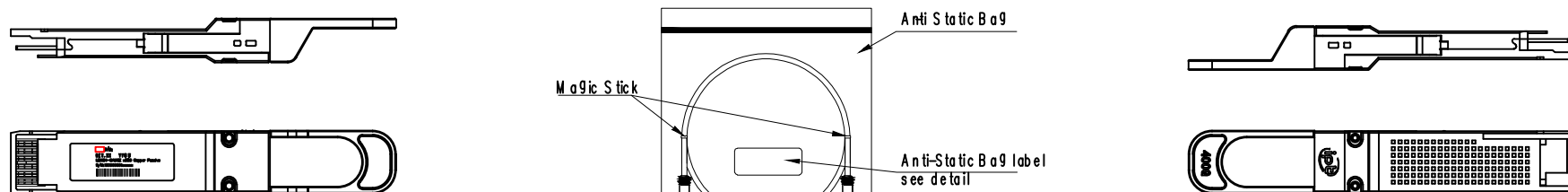
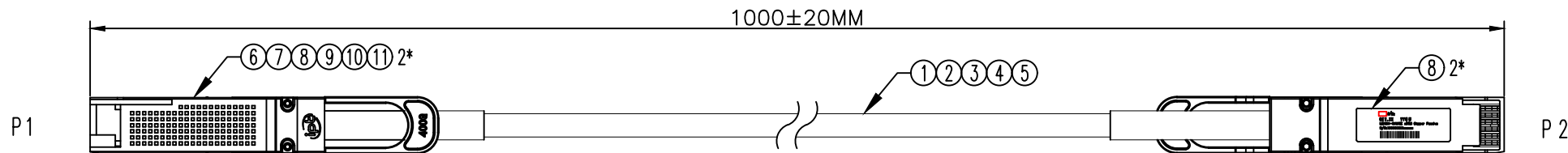


- NOTE:
1. R AW CABLE IMPEDAN CE: 100 ohm /85 ohm, MATED CO NNECTOR IMPED AN CE: 100t1g ohm, RISE TIM E: 25Ps(20% ~80%)
 2. 100% CONDUCTOR TEST, TE ST CO NDITION:VOLTAGE3.3V,IN SUL TIO N RE SISTANCE 10M ohm,CONDUCTIO NRESISTAN CE MAX 3ohm.
 3. HIGH FRE QUE NCY TE ST ACCORDING TO IEEE802.3cd & 802.3bJSTAN DARD PCIE 5.0
 4. ALL M ATER IAL MUST CO MPLY WITH ROHS2.0.

| DATE | DESCRIPTION OF CHANGE | REV |
|------------|--|-----|
| 2023-01-05 | Change wiring definition | D |
| 2023-01-10 | Change wiring definition | E |
| 2023-01-13 | Change wiring definition | F |
| 2023-02-09 | Add customer material number :QDD-8X-8XRT-1M | G |
| 2023-09-08 | Change connection definition | H |



| NO. | NAME | IPT NO. | DESCRIPTION | Q'TY | Q'TY |
|-----|--------------------|---------|--|------|------|
| ⑫ | label | | QDD White adhesive L31*W11*R0.72MM waterproof and environmentally friendly | 2 | PCS |
| ⑪ | rivet | | Special rivets for QDD (male: rod length 12.2MM; Female nail: rod length 4.0MM) | 4 | PCS |
| ⑩ | spring | | Special spring for QSFP-DD (L=7.5MM, outer meridian 1.8MM, wire diameter 0.35MM) | 4 | PCS |
| ⑨ | Piece of unlocking | | The QSFP-DD unlocking piece (plastic) matches the QSFP-DD unlocking piece | 2 | PCS |
| ⑧ | shell | | QSFP-DD housing lower cover (zinc alloy) sandblasted nickel plating | 2 | PCS |
| ⑦ | shell | | QSFP-DD housing cover (zinc alloy) sandblasted nickel plating | 2 | PCS |
| ⑥ | PCBA | | QSFP-DD PCB.76P. Au 30u"M in | 2 | PCS |
| ⑤ | Web Master | | Tinned copper braided mesh, 16*6*0.12mm, 18 mesh | - | MM |
| ④ | drivepipe | | Black PVC sleeve with diameter of 8.3*6.5 | - | MM |
| ③ | wire | | UL1061 30AWG TS-LF-00 (Axle Mount) | - | MM |
| ② | CABLE | | SAS 30AWG 100Q SAS4.0 HF (S04T63001) | - | MM |
| ① | CABLE | | 29AWG 85Ω HF PCIE. 6.0 low loss (P06S62901) | - | MM |

| | | | | | | | |
|----------|--------------------------|--------------|----------------|---------|-------------|---------|---------|
| TITLE | QDD TO QDD PCIE5.0 CABLE | | | | | SHEET | 1/2 |
| CUSTOMER | | CUSTOMER P/N | QDD-8X-8XRT-1M | DRAWING | chenlingmin | | |
| DWG NO. | WIPT20221208001 | UNIT | SCALE | REV | VIEW | CHECKED | liupeng |
| IPT P/N | | mm | NONE | H | APPROVAL | | |



SN说明:

XXXXXXXXxxxx

00001~99999
PO NO.

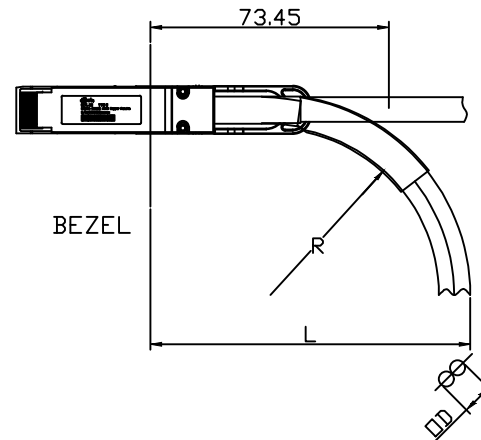
| DATE | DESCRIPTION OF CHANGE | REV |
|------------|--|-----|
| 2023-01-10 | Change wiring definition | E |
| 2023-01-13 | Change wiring definition | F |
| 2023-02-09 | Add customer material number :QDD-8X-8XRT-1M | G |
| 2023-03-08 | Change connection definition | H |

| P1 QSFP-DD | |
|------------|----|
| GND | 1 |
| TX2N | 2 |
| TX2P | 3 |
| GND | 4 |
| TX4N | 5 |
| TX4P | 6 |
| GND | 7 |
| HLED0 | 8 |
| PERST#0 | 9 |
| PERST#2 | 10 |
| SCLO | 11 |
| SDAO | 12 |
| GND | 13 |
| RX3P | 14 |
| RX3N | 15 |
| GND | 16 |
| RX1P | 17 |
| RX1N | 18 |
| GND | 19 |
| GND | 20 |
| RX2N | 21 |
| RX2P | 22 |
| GND | 23 |
| RX4N | 24 |
| RX4P | 25 |
| GND | 26 |
| CLKN3 | 27 |
| CLKP3 | 28 |
| GND | 29 |
| CLKN2 | 30 |
| CLKP2 | 31 |
| GND | 32 |
| TX3P | 33 |
| TX3N | 34 |
| GND | 35 |
| TX1P | 36 |
| TX1N | 37 |
| GND | 38 |

| P2 QSFP-DD | |
|------------|---------|
| 20 | GND |
| 21 | RX2N |
| 22 | RX2P |
| 23 | GND |
| 24 | RX4N |
| 25 | RX4P |
| 26 | GND |
| 8 | HLED0 |
| 9 | PERST#0 |
| 10 | PERST#2 |
| 11 | SCLO |
| 12 | SDAO |
| 32 | GND |
| 33 | TX3P |
| 34 | TX3N |
| 35 | GND |
| 36 | TX1P |
| 37 | TX1N |
| 38 | GND |
| 1 | GND |
| 2 | TX2N |
| 3 | TX2P |
| 4 | GND |
| 5 | TX4N |
| 6 | TX4P |
| 7 | GND |
| 27 | CLKN3 |
| 28 | CLKP3 |
| 29 | GND |
| 30 | CLKN2 |
| 31 | CLKP2 |
| 13 | GND |
| 14 | RX3P |
| 15 | RX3N |
| 16 | GND |
| 17 | RX1P |
| 18 | RX1N |
| 19 | GND |

| P1 QSFP-DD | |
|------------|----|
| GND | 39 |
| TX6N | 40 |
| TX6P | 41 |
| GND | 42 |
| TX8N | 43 |
| TX8P | 44 |
| GND | 45 |
| CLKP0 | 46 |
| CLKN0 | 47 |
| GND | 48 |
| CKLP1 | 49 |
| CKLN1 | 50 |
| GND | 51 |
| RX7P | 52 |
| RX7N | 53 |
| GND | 54 |
| RX5P | 55 |
| RX5N | 56 |
| GND | 57 |
| GND | 58 |
| RX6N | 59 |
| RX6P | 60 |
| GND | 61 |
| RX8N | 62 |
| RX8P | 63 |
| GND | 64 |
| SDA1 | 65 |
| SCL1 | 66 |
| PERST#3 | 67 |
| PERST#1 | 68 |
| HLED1 | 69 |
| GND | 70 |
| TX7P | 71 |
| TX7N | 72 |
| GND | 73 |
| TX5P | 74 |
| TX5N | 75 |
| GND | 76 |

| P2 QSFP-DD | |
|------------|---------|
| 58 | GND |
| 59 | RX6N |
| 60 | RX6P |
| 61 | GND |
| 62 | RX8N |
| 63 | RX8P |
| 64 | GND |
| 46 | CLKP2 |
| 47 | CLKN2 |
| 48 | GND |
| 49 | CKLP3 |
| 50 | CKLN3 |
| 70 | GND |
| 71 | TX7P |
| 72 | TX7N |
| 73 | GND |
| 74 | TX5P |
| 75 | TX5N |
| 76 | GND |
| 39 | GND |
| 40 | TX6N |
| 41 | TX6P |
| 42 | GND |
| 43 | TX8N |
| 44 | TX8P |
| 45 | GND |
| 65 | SDA1 |
| 66 | SCL1 |
| 67 | PERST#3 |
| 68 | PERST#1 |
| 69 | HLED1 |
| 51 | GND |
| 52 | RX7P |
| 53 | RX7N |
| 54 | GND |
| 55 | RX5P |
| 56 | RX5N |
| 57 | GND |



| CABLE GAUGE | CABLE "OD" | MIN. BEND RADIUS "R" | MIN. BEND SPACE "L" |
|-------------|------------|----------------------|---------------------|
| 30AWG | 14REF MM | 140MM | 155MM |
| 28AWG | 15.6REF MM | 156MM | 166MM |

| serial CABLES | | | | | | | | |
|---------------|--------------------------|------|--------------|----------------|---------|-------------|---------|-----|
| TITLE | QDD TO QDD PCIE5.0 CABLE | | | | | | SHEET | 2/2 |
| CUSTOMER | | | CUSTOMER P/N | QDD-8X-8XRT-1M | DRAWING | chenlingmin | | |
| DWG NO. | WIPT20221208001 | UNIT | SCALE | REV | VIEW | CHECKED | liupeng | |
| IPT P/N | | mm | NONE | H | | APPROVAL | | |