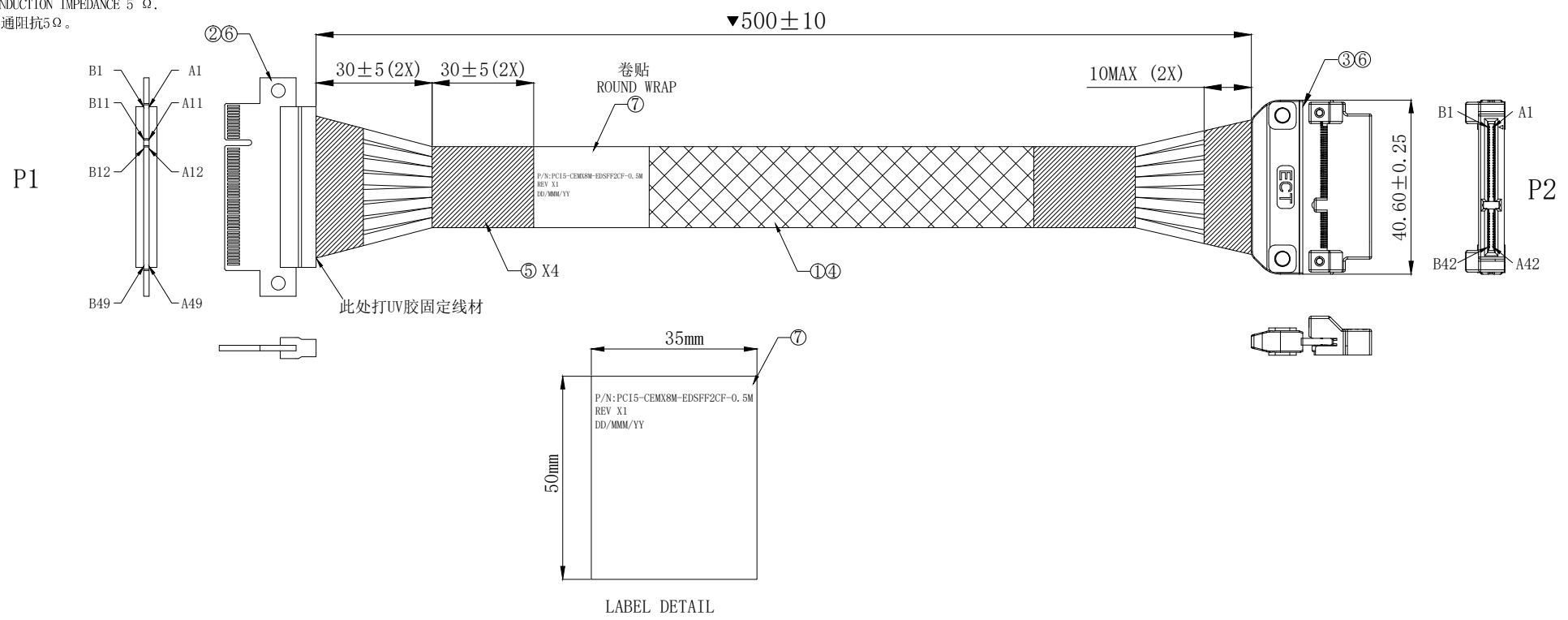


| | | |
|------------|-----------------------|-----|
| DATE | DESCRIPTION OF CHANFE | REV |
| 2023-06-25 | INITIAL RELEASE | X1 |

- NOTES:
1. ELECTRICAL AND MICHANICAL PERFORMANCE SHOULD MEET THE PCIE5.0 INDUSTRIAL STANDARD.
电气和机械特性满足PCIE5.0工业标准。
 2. THE CABLE ASSEMBLY SHALL MEET BELOW IMPEDANCE REQUIREMENT:
TERMINATION AREA: 85±15%OHMS, CABLE ABSOLUTE AREA: 85±10%OHMS.
该产品满足下面阻抗特性: 接触区域 85±15%欧姆, 线材为85±10%欧姆。
 3. THE CABLE ASSEMBLY SHOULD BE RoHS2.0 COMPLIANT.
该产品符合RoHS2.0。
 4. 100% TEST FOR SHORT CIRCUIT, OPEN CIRCUIT AND DISLOCATION.
100%测试短路、断路、错位。
 5. Dimensions Marked "▼" Shall Be Checked
标注"▼"的尺寸必须重点检验
 6. INSULATION: 10M Ω MIN/DC 300V.
绝缘: 10M Ω MIN/DC 300V。
 7. CONDUCTION IMPEDANCE 5 Ω.
导通阻抗5 Ω。

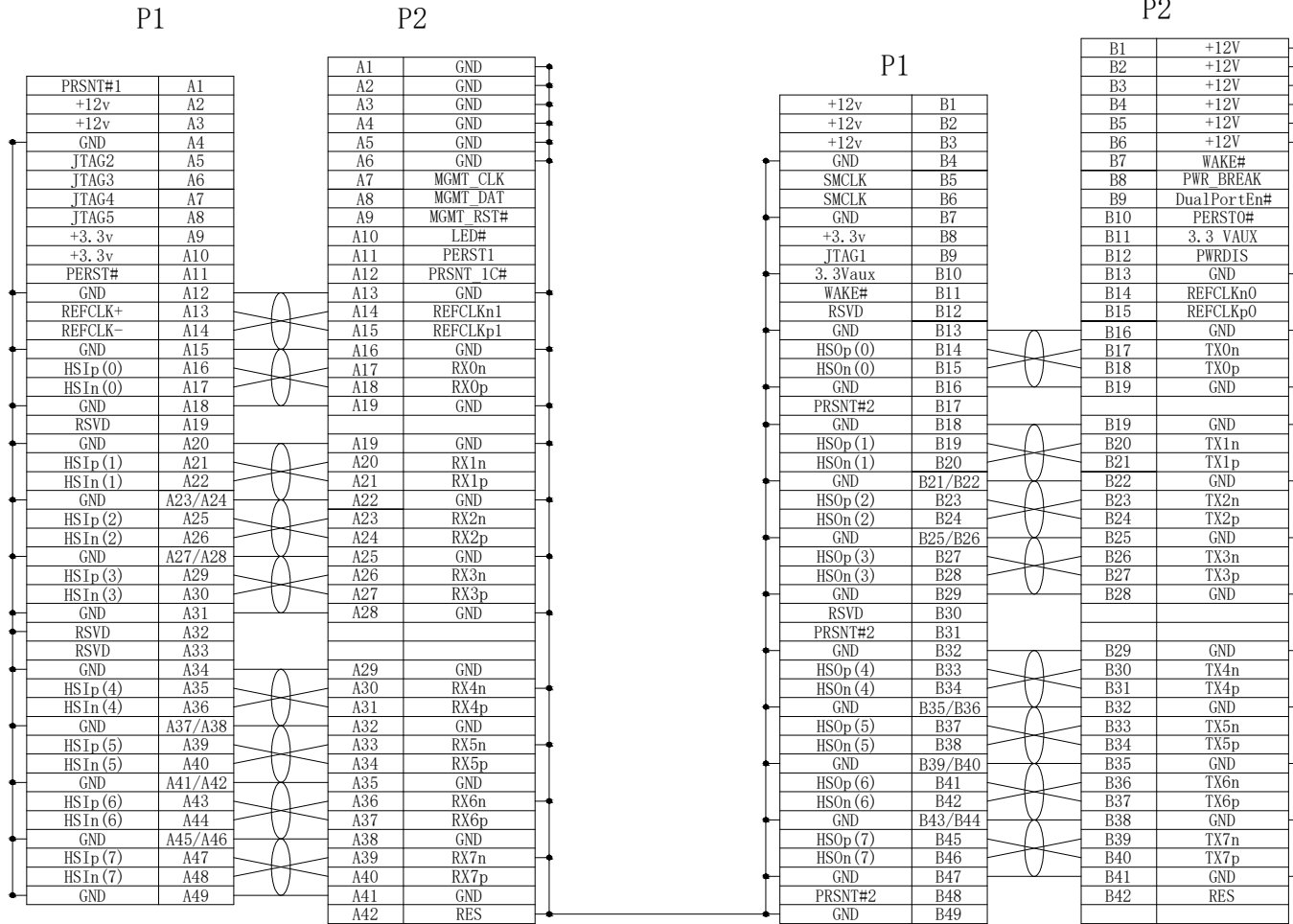


| | | | | | |
|-----|----------------|------------|--------------------------------------------------|-----|------|
| 7 | LABEL | 604100070 | 空白 白色合成纸材质 25*50mm 耐撕, HF | 1 | PCS |
| 6 | UV GEL | 605011715 | UV胶, 型号2620B, 低介电, 50ML, HF | A/R | MM |
| 5 | POLYESTER TAPE | 6050116XX | POLYESTER TAPE:T=0.12mm, BLACK, VIM-0, R2, HF | A/R | MM |
| 4 | EXPANDO TUBE | 605040XXX | EXPANDO TUBE: BLACK, VW-1, HF | A/R | MM |
| 3 | CONNECTOR | 7430353002 | GEN-Z 2C STR Female | 1 | PCS |
| 2 | CONNECTOR | TBD | X8 CEM MALE | 1 | PCS |
| 1 | CABLE | 603010264 | SAS CBL.:30#*2C+2EAM, 镀银铜, 85 Ω, VW-1, 蓝, HF, P5 | A/R | MM |
| NO. | NAME | P/N | DESCRIPTION | QTY | UNIT |

| | | | | | | | | |
|----------|---------------------------------------|--------------|--------------------------|---------|--------------|----------|------------|-----|
| | | | | | | | | |
| TITLE | X8 CEM Male TO GenZ 2C Female 0.5M P5 | | | | | | SHEET | 1/2 |
| CUSTOMER | | CUSTOMER P/N | PC15-CEM8M-EDSFF2CF-0.5M | DRAWING | Wanqiu Huang | | | |
| DWG NQ | WIPT818043827 | UNIT | SCALE | REV | VIEW | CHECKED | Shili Yang | |
| IPT P/N | | mm | NONE | X1 | | APPROVAL | Zhiyu Chen | |

Connection relationship:

| | | |
|------------|-----------------------|-----|
| DATE | DESCRIPTION OF CHANFE | REV |
| 2023-06-25 | INITIAL RELEASE | X1 |



| | | | | | | | | |
|----------|---------------------------------------|--------------|-------|---------------------------|---------|--------------|------------|-----|
| | | | | | | | | |
| TITLE | X8 CEM Male TO GenZ 2C Female 0.5M P5 | | | | | | SHEET | 2/2 |
| CUSTOMER | | CUSTOMER P/N | | PC15-CEMX8M-EDSFF2CF-0.5M | DRAWING | Wanqiu Huang | | |
| DWG NQ | WIPT818043827 | UNIT | SCALE | REV | VIEW | CHECKED | Shili Yang | |
| IPT P/N | | mm | NONE | X1 | | APPROVAL | Zhiyu Chen | |