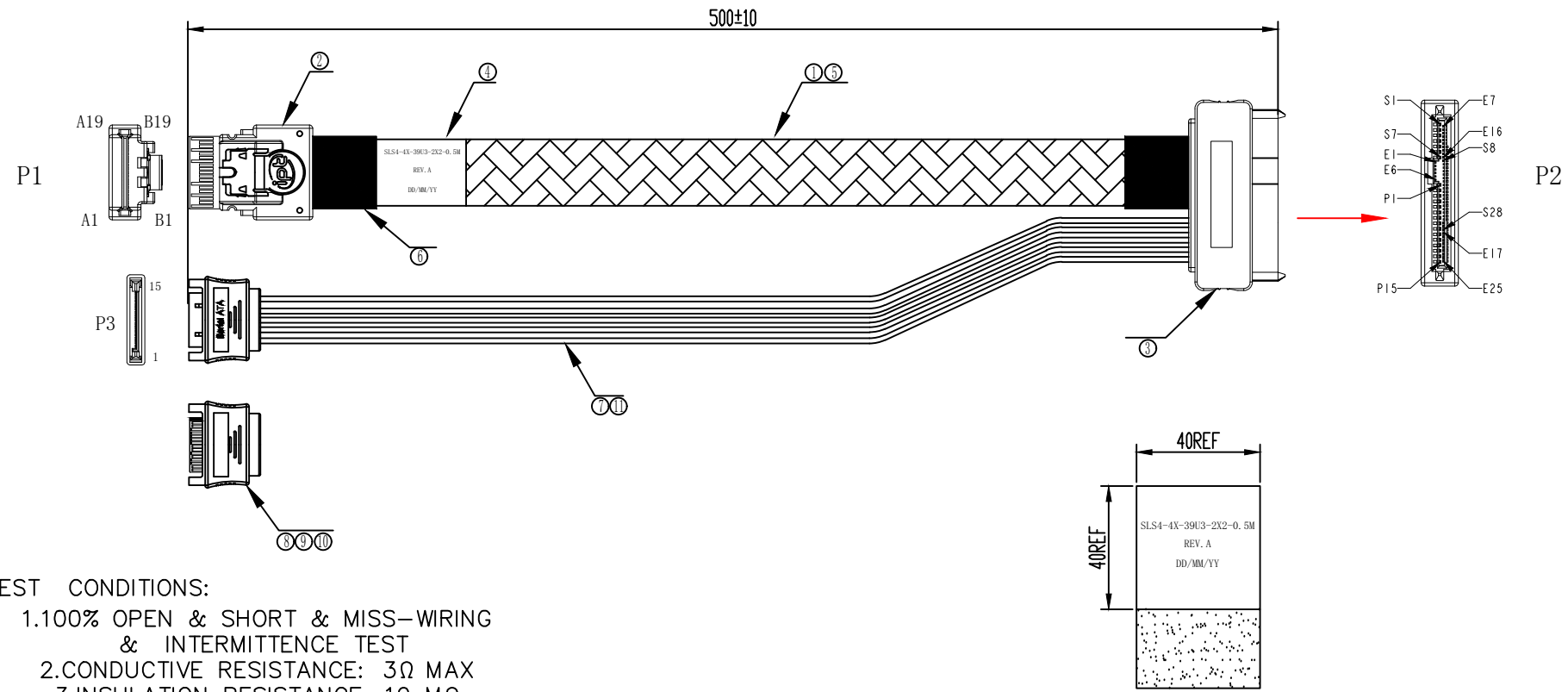


5	6	7	8
DATE	DESCRIPTION OF CHANGE		REV
2020-10-20	XXXXX		A



TEST CONDITIONS:
 1.100% OPEN & SHORT & MISS-WIRING & INTERMITTENCE TEST
 2.CONDUCTIVE RESISTANCE: 3Ω MAX
 3.INSULATION RESISTANCE: 10 MΩ
 4.HI-POT TEST: 300VDC FOR 10ms.
 5.THIS PRODUCT MEETS SAS 4.0 & PCIE GEN4.

①	WIRE	WIRE 1007 24AWG STRANDED	-	MM	
②	External Mould	PVC 45P BLACK	-	G	
③	Internal Mold	PE See through	-	G	
④	Connector	SATA15P M PRS LCP BLK	1	PCS	
⑤	WIRE	WIRE:UL1007 18AWG 4IC BLK/RED/YEL	-	MM	
⑥	Adhesive tape	IERMLENE CLOTH TAPE, T=0.11mm. BLK.	-	MM	
⑦	Network manager	EXPANDO TUBE: OD=7MM, BLACK, VW-1,	-	MM	
⑧	CABEL	CABEL :40*40MM	1	PCS	
⑨	Connector	SFF-8639 PCIE 68POS CONN,STR, BLACK	1	PCS	
⑩	Connector	SAS FF-8654 4X STR With shrapnel	1	PCS	
⑪	CABLE	SAS 30AWG*2C+2D+A+HM PLATED, 92ohm	-	MM	
NO.	NAME	IPT NO.	DESCRIPTION	Q'TY	Q'TY

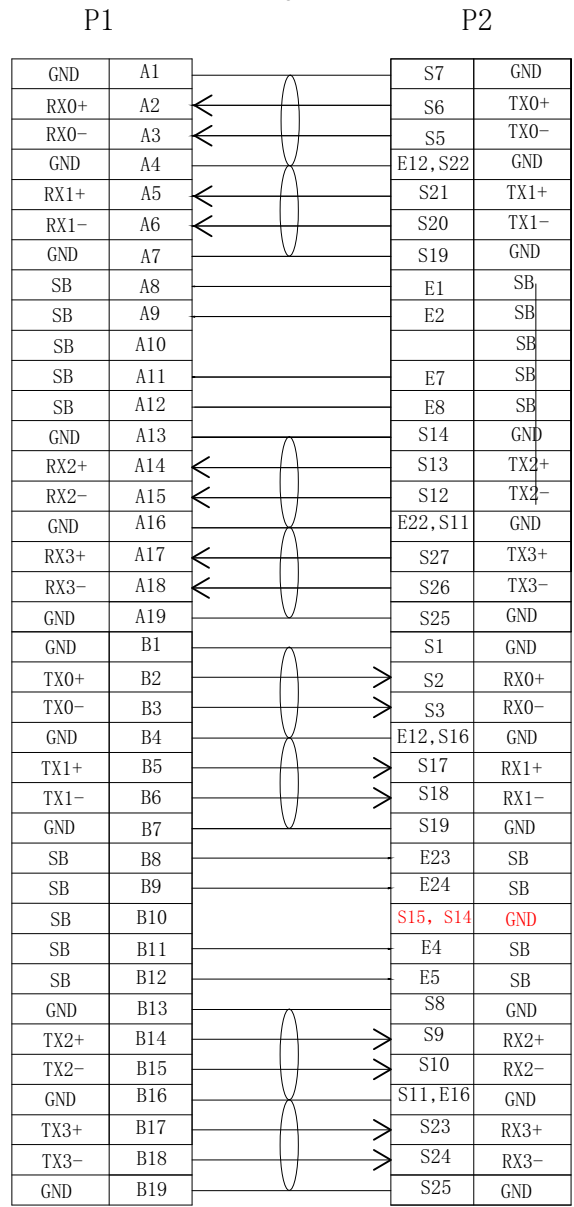
TITLE		SlimSAS SFF-8654 4X TO SFF-8639 TO SATA15P				SHEET	1/2
CUSTOMER		CUSTOMER P/N		SLS4-4X-39U3-2X2-0.5M	DRAWING	<i>lupeng</i>	
DWG NO.	IPT20201020008	UNIT	SCALE	REV	VIEW	CHECKED	<i>lupeng</i>
IPT P/N		mm	NONE	A		APPROVAL	



lupeng

5	6	7	8
DATE	DESCRIPTION OF CHANGE		REV
2020-10-20	XXXXX		A

WIRING TABLE

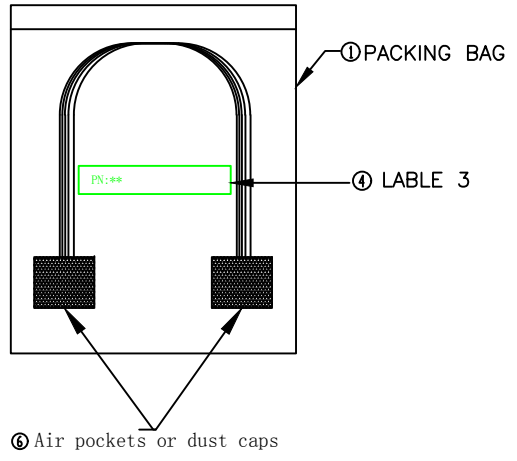


★ Note: Pin E25 for P2 SFF-8639 should be GND
 Note: Pin E16 of P2 (SFF_8639) should be Open state
 Note: Pin S15 of P2 (SFF_8639) should be GND

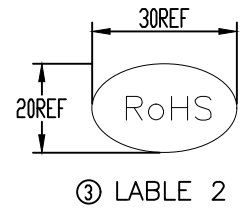
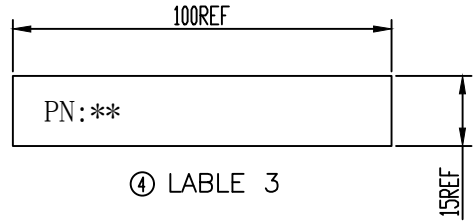
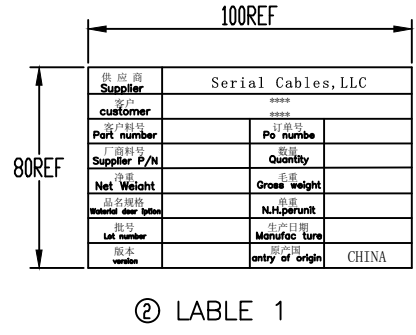
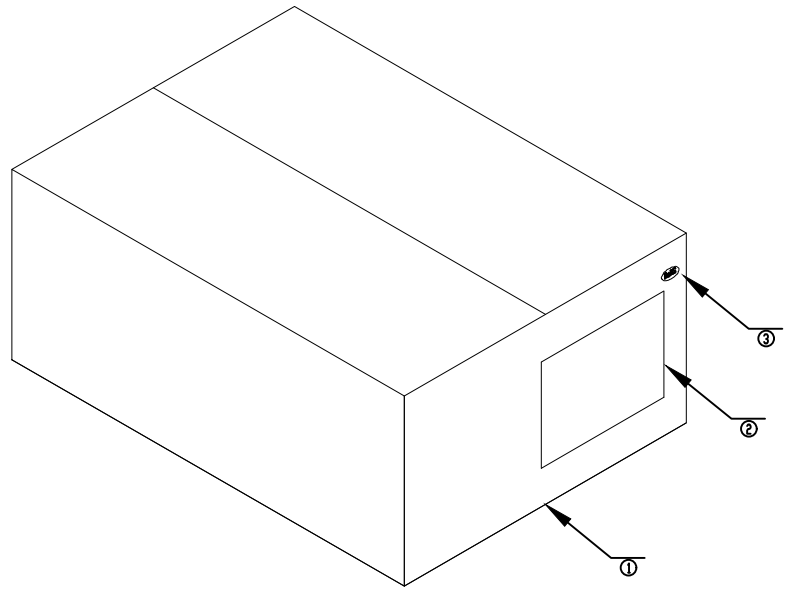
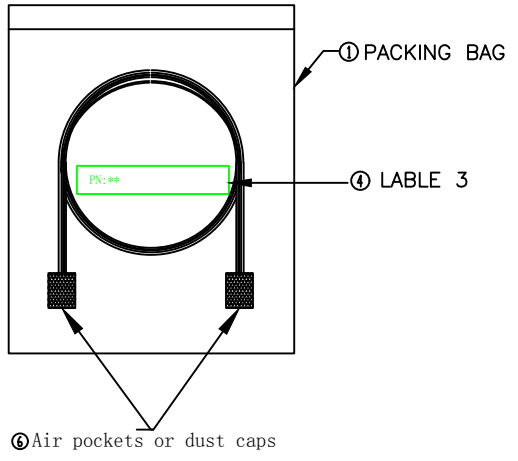
TITLE	SlimSAS SFF-8654 4X TO SFF-8639 TO SATA15P					SHEET	1/2
CUSTOMER		CUSTOMER P/N	SLS4-4X-39U3-2X2-0.5M		DRAWING	<i>lupeng</i>	
DWG NO.	IPT20201020008	UNIT	SCALE	REV	VIEW	CHECKED	<i>lupeng</i>
IPT P/N		mm	NONE	A		APPROVAL	

5	6	7	8
DATE	DESCRIPTION OF CHANGE		REV
2020-09-12	XXXXXXXX		A

BAGGING METHOD 1:
★ PACKAGING BELOW 0.5M
1PE BAGS PER 1PCS



BAGGING METHOD 2:
★ PACKAGING ABOVE 0.5M
1PE BAGS PER 1PCS



This drawing is the property of Serial Cables and is delivered on the express condition that it is not to be disclosed, reproduced or used, in whole or in part, for manufacture or sale by anyone other than Serial Cables without its prior consent, and that no right is granted to disclose or use any information in this drawing.



TITLE	Packaging specification for SAS (general)					SHEET	1/1
CUSTOMER		CUSTOMER P/N		DRAWING	<i>lupeng</i>		
DWG NO.	IPT202009012001	UNIT	SCALE	REV	VIEW	CHECKED	<i>lupeng</i>
IPT P/N		mm	NONE	A		APPROVAL	

⑥	Protective Cover	Air pockets or dust caps	-	PCS	
⑤	PACKING BAG	PACKING BAG 350*250MM	1	PCS	
④	LABEL	LABEL:100*15MM (PN:***)	1	PCS	
③	LABEL	LABEL:30*20MM Printed Rohs	1	PCS	
②	LABEL	LABEL:100*80MM	1	PCS	
①	Outer case	460*300*230MM Blank outer box	-	PCS	
NO.	NAME	IPT NO.	DESCRIPTION	Q'TY	Q'TY