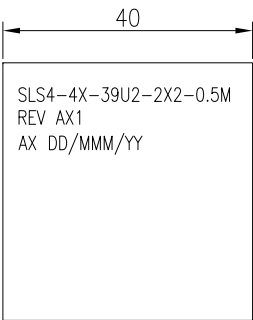
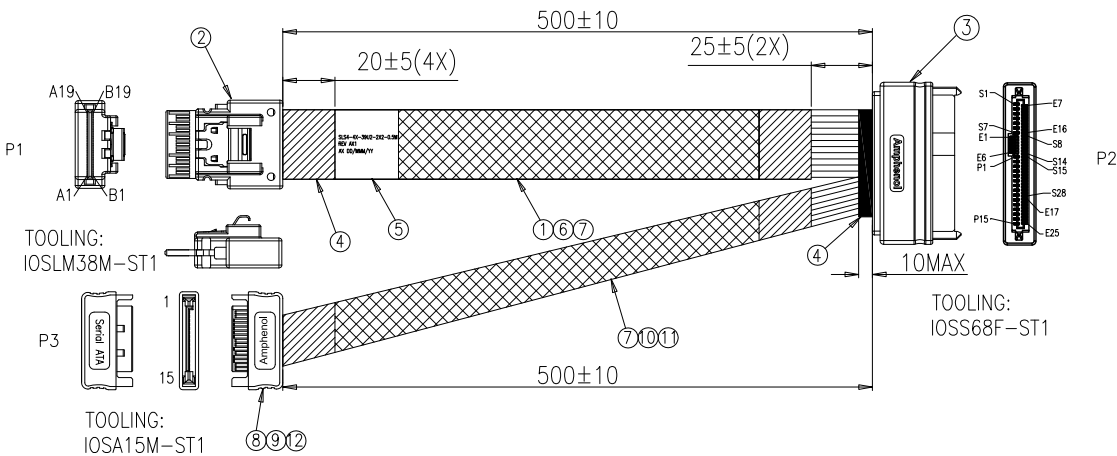
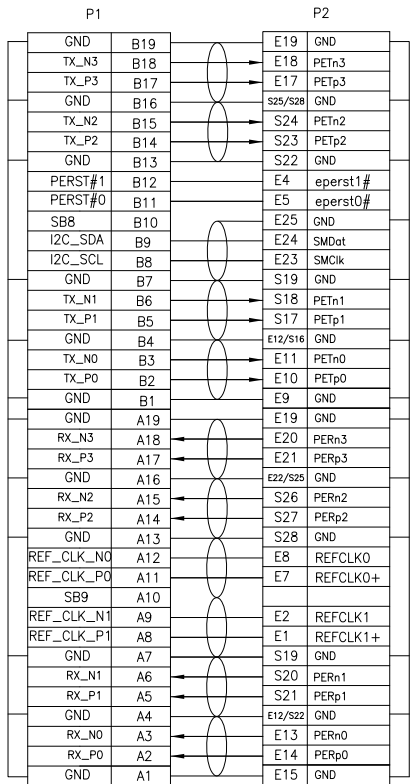


The marking on this product doesn't contain environmental hazardous materials per directive 2011/65/EU for RoHS compliance.

REVISIONS					
ECN NO.	REV.	DESCRIPTIONS	CHECKED	APPROVED	DATE
REV.	AX1	INITIAL RELEASE	OLIVER	KASUN	10/27/2020

NOTE:
 1. ELECTRICAL AND MECHANICAL PERFORMANCE SHALL MEET THE PCIE GEN4 INDUSTRIAL STANDARD.
 电气和机械特性遵循 PCIE GEN4 工业标准。
 2. THE CABLE ASSEMBLY SHALL BE MEET RoHS2.0 COMPLIANT.
 该产品通过RoHS2.0认证。
 3. THE CABLE ASSEMBLY SHALL MEET BELOW IMPEDANCE REQUIREMENT: TERMINATION AREA: 85±15% OHMS,
 CABLE ABSOLUTE AREA: 85±10% OHMS.
 该产品满足下面阻抗特性: 接板区域85±15%欧姆, 线材为85±10%欧姆。



12	HMRPE45NT1	PE:LOW DENSITY,CLEAR,HF	A/R
11	R10070240X	WIRE,24AWG,UL1007,STRANDED	A/R
10	R10070180X	WIRE:18AWG,41C,UL1007	A/R
9	RMRPV45092	PVC:45P,VO,BLK,Cd300PPM,N6P	A/R
8	(R)10115M02	SATA CONN:15P,M,BRS,G/F,LCP,VO,BLK	1
7	HMTBD00501	EXPANDO TUBE:OD=5MM,BLACK,VW-1,HF	A/R
6	H0330230CX	WIRE,30AWG,UL3302,OD0.55,FR-XLPE,VW-1	A/R
5	HMLSB40501	LABEL:Synthetic Paper,40*50MM,WHT,BLANK,HF	1
4	HMMTP00XXX	TAPE,BLK,HF	A/R
3	AST8639-001	PCIE 68POS CONN,STR,BLACK,Au15u"	1
2	AST8654-0038-01-V	4X SLIMSAS PLUG STR CONNECTOR	1
1	HWSS320006	SAS CBL:UL20744,32#2C+2D+AM+HM,Tinned,BLU,850,VW-1,12G,HF	A/R
ITEM	P/N	DESCRIPTION	QTY

NOTE:
 Pin E25 for P2 SFF-8639 should be tied to E22 GND

LABEL DETAIL

GENERAL TOLERANCES	
.X:	± 0.5
.XX:	± 0.3
.XXX:	± 0.01
ANGULAR:	± 1°

This drawing is the property of Serial Cables and is delivered on the express condition that it is not to be disclosed, reproduced or used, in whole or in part, for manufacture or sale by anyone other than Serial Cables without its prior consent, and that no right is granted to disclose or use any information in this drawing.

TITLE: SAS SLIMSAS 4i PLUG STR TO SFF 8639+SATA 15P

DWG. No.: RSL38-2486

SCALE: NONE SHEET 1 OF 2

UNIT: MM SIZE: A4 REV.: AX1

P2	E3	P1	P2	P3	P4	P5	P6	P7	P8	P9	P10	P11	P12	P13	P14	P15
P3	P1P2 P3	----				P4 P5 P6	P7 P8 P9	----	P10 P11 P12	P13 P14 P15						
SYMBOL	3.3V	----				GND	5V	----	GND	12V						
WIRE AWG	24AWG	----				18AWG	18AWG	----	24AWG	18AWG						
WIRE COLOR	ORG	----				BLACK	RED	----	BLACK	YELLOW						

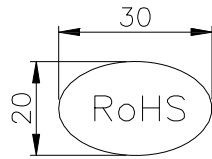
WIRE TABLE

The marking on this product doesn't contain environmental hazardous materials per directive 2011/65/EU for RoHS compliance.

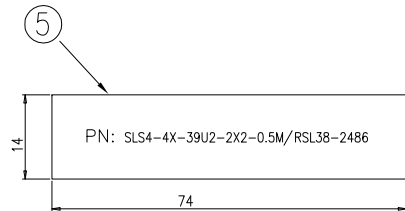
REVISIONS					
ECN NO.	REV.	DESCRIPTIONS	CHECKED	APPROVED	DATE
REV.	AX1	INITIAL RELEASE	OLIVER	KASUN	10/27/2020

LABEL 2

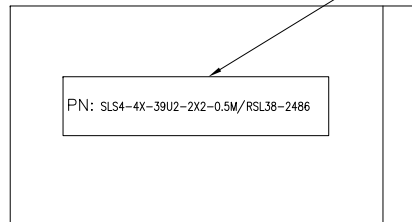
PN: SLS4-4X-39U2-2X2-0.5M/RSL38-2486



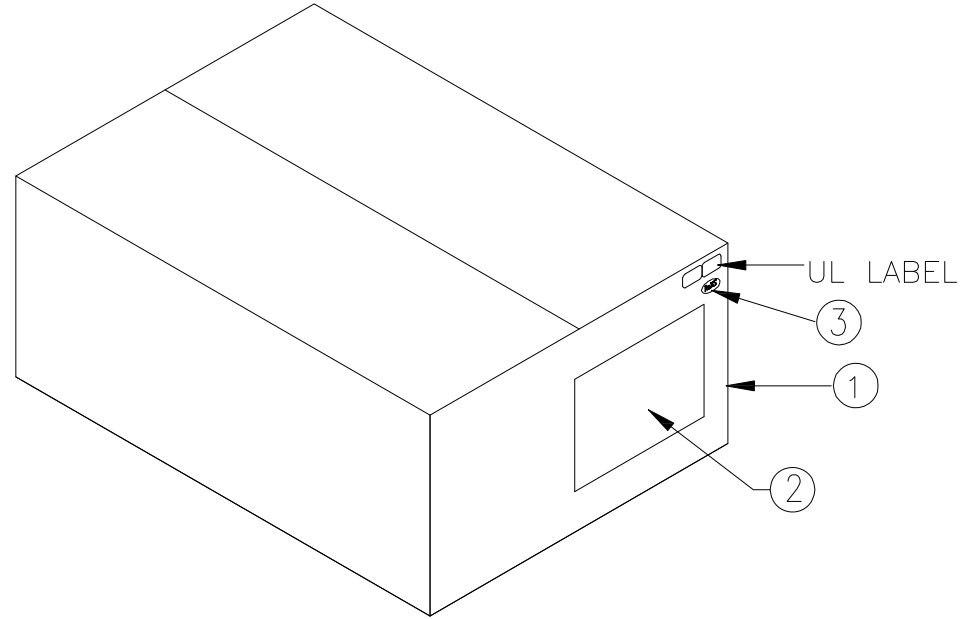
LABEL 3



⑤ The label is stucked in the middle.



④ 1PCS PRODUCTS PUT INTO THE PE BAG



5	HMLSB14741	LABEL:Synthetic Paper,14*74MM,WHT,HF	1
4	RMBZIP0018	ZIP BAG:120*300MM,T=6C	1
3	RMLSW30201	RoHS LABEL:30*20MM, LABEL5 INFO	1
2	HMLSB00401	LABEL3:100*40MM,WHT,BLANK,R2	1
1	RMBCTN0019	CARTON:590*240*200MM E TYPE	1
ITEM	PART NUMBER	DESCRIPTION	Q'TY

This drawing is the property of Serial Cables and is delivered on the express condition that it is not to be disclosed, reproduced or used, in whole or in part, for manufacture or sale by anyone other than Serial Cables without its prior consent, and that no right is granted to disclose or use any information in this drawing.



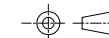
TITLE:
SAS SLIMSAS 4i PLUG STR TO SFF 8639+SATA 15P

DWG. No.: RSL38-2486

GENERAL TOLERANCES

.X:	± 0.5
.XX:	± 0.3
.XXX:	± 0.01
ANGULAR:	± 1°

DRAWN:	OLIVER ZHENG	DATE:	10/27/2020
CHECKED:	OLIVER ZHENG	DATE:	10/27/2020
APPROVED:	KASUN LI	DATE:	10/27/2020



SCALE: NONE

SHEET 2 OF 2

UNIT: MM

SIZE: A4

REV.: AX1