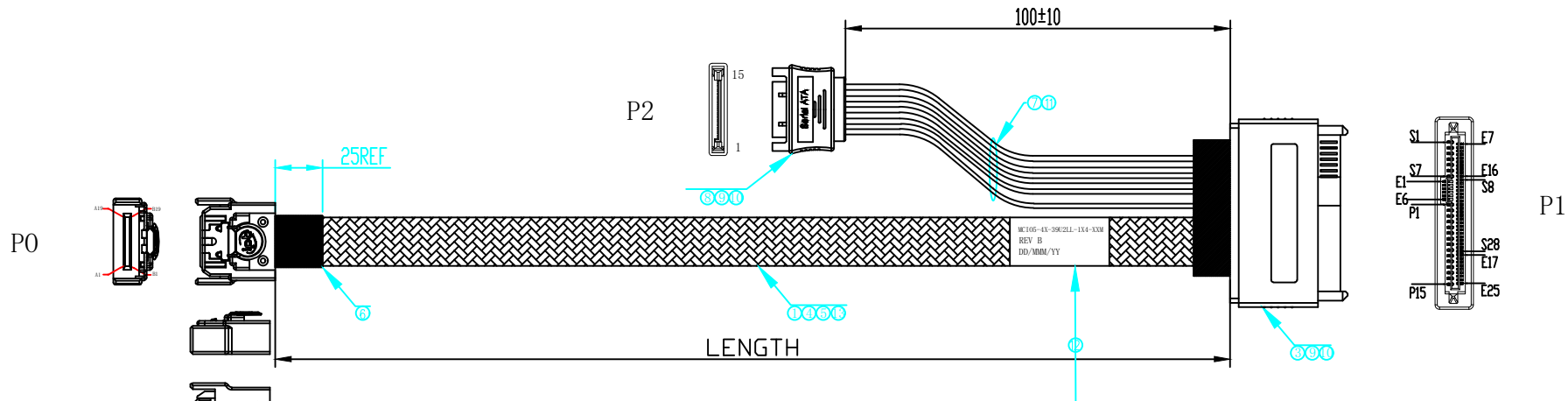
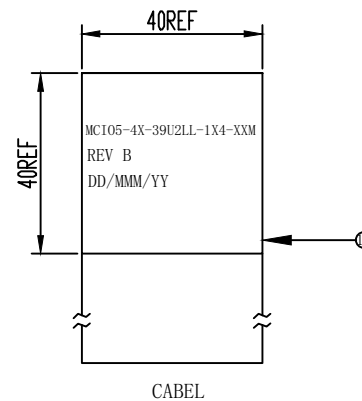


5	DATE	DESCRIPTION OF CHANGE	REV
	2021-05-20	XXXXX	A
	2023-04-14	Connection definition optimization	B



LENGTH P/N TABLE	
SC PART NUMBER	LENGTH(MM)
MCI05-4X-39U2LL-1X4-0.5M	500±20
MCI05-4X-39U2LL-1X4-1M	1000±25

- TEST CONDITIONS:
- 100% OPEN & SHORT & MISS—WIRING & INTERMITTENCE TEST
 - CONDUCTIVE RESISTANCE: 3 Ω MAX.
 - INSULATION RESISTANCE: 10 Ω M
 - HI-POT TEST: 300VDC FOR 10ms.
 - THIS PRODUCT MEETS **PCIE 5.0**



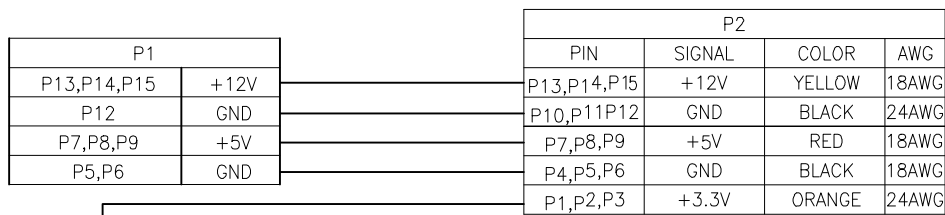
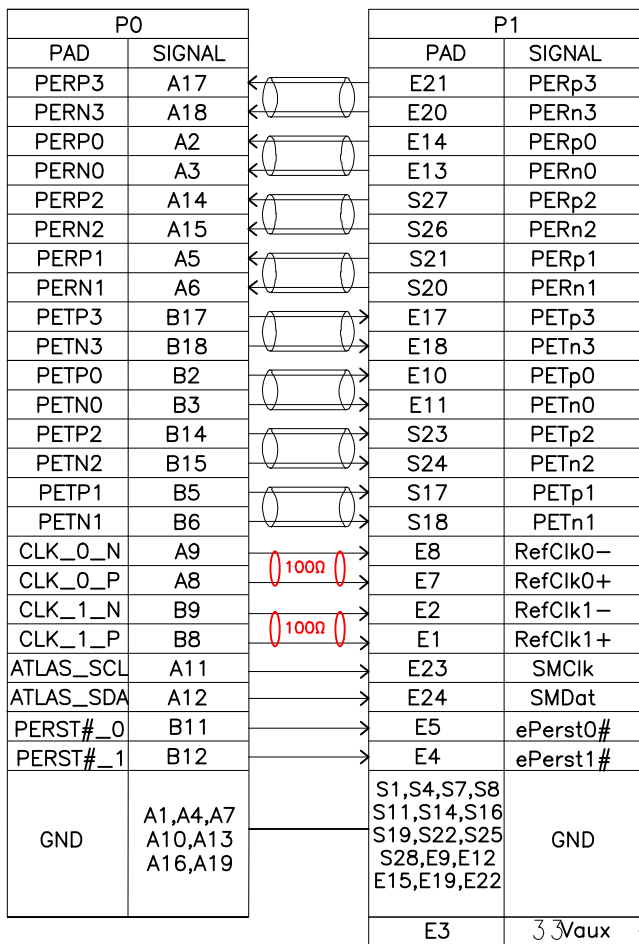
①	CABLE	SAS 30AWG*2C	-	M	
②	CABEL	CABEL : 40*40MM	1	PCS	
③	WIRE	WIRE 1007 24AWG STRANDED	-	MM	
④	External Mould	PVC 45P BLACK	-	G	
⑤	Internal Mold	PE See through	-	G	
⑥	Connector	SATA15P M PRS LCP BLK	1	PCS	
⑦	WIRE	WIRE: UL1007 18AWG 4IC BLK/RED/YEL	-	MM	
⑧	Adhesive tape	IERMLENE CLOTH TAPE, T=0.11mm. BLK.	-	MM	
⑨	Network manager	EXPANDO TUBE: OD=7MM, BLACK, VW-1,	-	MM	
⑩	WIRE	WIRE: UL1571 30AWG	-	MM	
⑪	Connector	SFF-8639 PCIE 68PIN CONN (GEN5 Welded type)	1	PCS	
⑫	Connector	MICO STR With shrapnel	1	PCS	
⑬	CABLE	29AWG 85Ω HF PCIE: 6.0 Low loss (P06S62901)	-	MM	
NO.	NAME	IPT NO.	DESCRIPTION	Q'TY	Q'TY

Wipt USA Inc

TITLE	MCI05 4X TO 8639+SATA 15P CABLE U2. 1X4				SHEET	1/2	
CUSTOMER		CUSTOMER P/N	MCI05-4X-39U2LL-1X4-XXM	DRAWING	<i>lupeng</i>		
DWG NO.	WIPT20230408001	UNIT	SCALE	REV	VIEW	CHECKED	<i>lupeng</i>
IPT P/N		mm	NONE	B		APPROVAL	

DATE	DESCRIPTION OF CHANGE	REV
2023-04-08	XXXXX	A
2023-04-14	Connection definition optimization	B

WIRING DIAGRAI



Note: Pin E25 for P2 SFF-8639 should be Open state

Wipt USA Inc

TITLE	MCI05 4X TO 8639+SATA 15P CABLE U2. 1X4						SHEET	2/2
CUSTOMER			CUSTOMER P/N	MCI05-4X-39U2LL-1X4-XXM	DRAWING	<i>lupeng</i>		
DWG NO.	WIPT20230408001	UNIT	SCALE	REV	VIEW	CHECKED	<i>lupeng</i>	
IPT P/N		mm	NONE	B		APPROVAL		