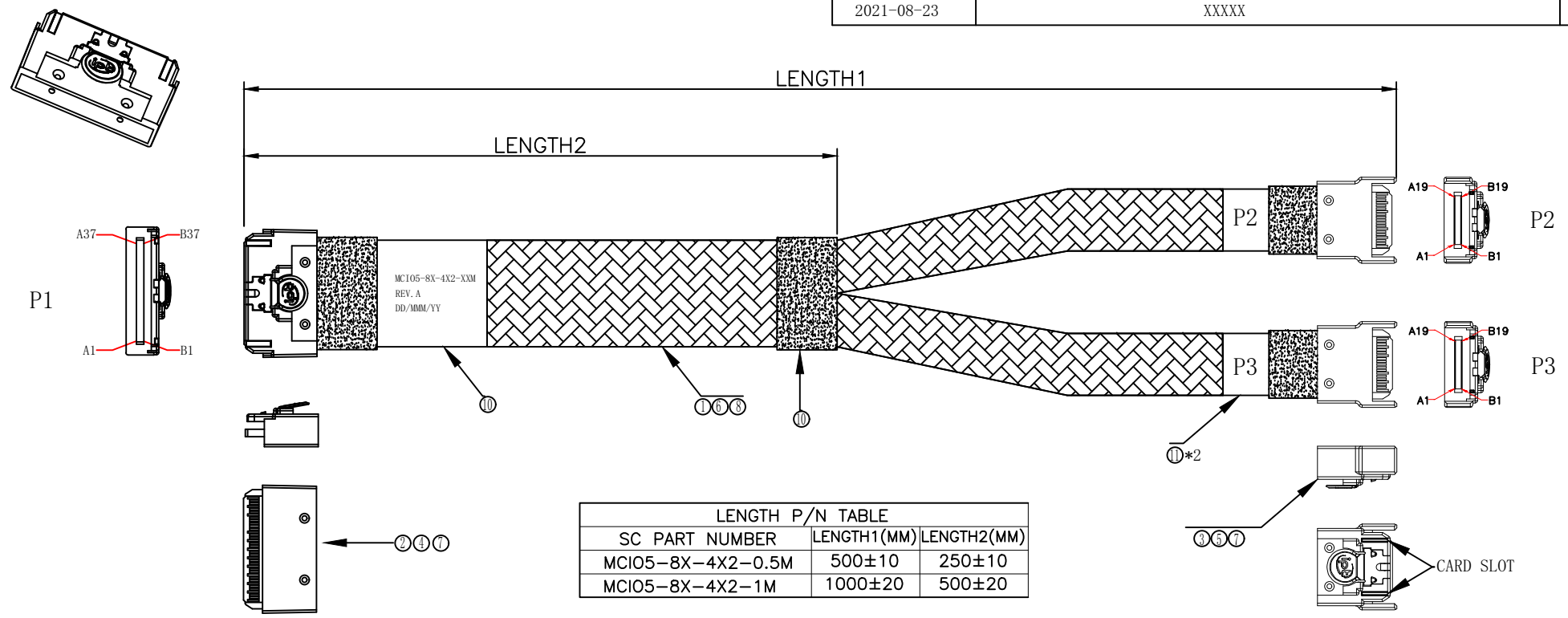
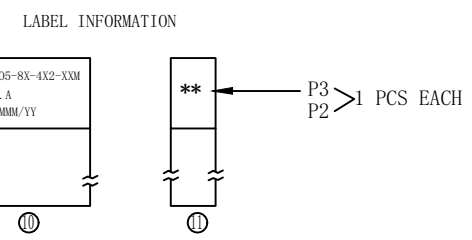


5	6	7	8
DATE	DESCRIPTION OF CHANGE		REV
2021-08-23	XXXXX		A



TEST CONDITIONS:  
 1.100% OPEN & SHORT & MISS-WIRING & INTERMITTENCE TEST  
 2.CONDUCTIVE RESISTANCE: 3Ω MAX  
 3.INSULATION RESISTANCE: 10 MΩ  
 4.HI-POT TEST: 300VDC FOR 10ms.  
 5.THIS PRODUCT MEETS **PCIE 5.0**



①	LABEL		WHITE LABEL,L W=10*30 P2 or P3	2	PCS
⑩	LABEL		WHITE LABEL,L W=40*40	1	PCS
⑨	ACETATE TAPE		W=25MM ACETATE TAPE,BLACK	-	MM
⑧	WEAVE		W=12MM PLASTIC BRAID SLEEVE,PET,BLACK	-	MM
⑦	Internal Model		In low pressure die	-	G
⑥	WIRE		1571 30AWG	-	MM
⑤	THE SHELL		SFF-1016 MCIO 4X Housing PBT has ears with card slot	2	PCS
④	THE SHELL		SFF-1016 MCIO 8X Housing PBT earless with card slot	1	PCS
③	PCB		SFF-1016 4X STR PCB, Au 30" Min	2	PCS
②	PCB		SFF-1016 8X STR PCB, Au 30" Min	1	PCS
①	CABLE		SAS CABLE: (30AWG*2C+2D)+HM, 85 Ω	-	MM
NO.	NAME	IPT NO.	DESCRIPTION	Q'TY	UNIT

TITLE		MCIO x8 to X2 MCIO x4, XXM CABLE				SHEET	1/2
CUSTOMER		CUSTOMER P/N		MCI05-8X-4X2-XXM	DRAWING	<i>lupeng</i>	
DWG NO.	WIPT20210823002	UNIT	SCALE	REV	VIEW	CHECKED	<i>lupeng</i>
IPT P/N		mm	NONE	A		APPROVAL	

5	6	7	8
DATE	DESCRIPTION OF CHANGE		REV
2021-08-23	XXXXX		A

WIRING TABLE

P1

P2

CONNECTOR	SIGNAL	PIN/PAD
GND		A1
Rx0+		A2
Rx0-		A3
GND		A4
Rx1+		A5
Rx1-		A6
GND		A7
SB7A		A8
SB4A		A9
GND(SB3A)		A10
SBA+		A11
SBA-		A12
GND		A13
Rx2+		A14
Rx2-		A15
GND		A16
Rx3+		A17
Rx3-		A18
GND		A19
GND		B1
Tx0+		B2
Tx0-		B3
GND		B4
Tx1+		B5
Tx1-		B6
GND		B7
SB0A		B8
SB1A		B9
GND(SB2A)		B10
SB5A		B11
SB6A		B12
GND		B13
Tx2+		B14
TX2-		B15
GND		B16
Tx3+		B17
Tx3-		B18
GND		B19

PIN/PAD	CONNECTOR	SIGNAL
B1	GND	
B2	Tx0+	
B3	Tx0-	
B4	GND	
B5	Tx1+	
B6	Tx1-	
B7	GND	
B8	SB7	
B9	SB4	
B10	GND(SB3)	
B11	SBA+	
B12	SBA-	
B13	GND	
B14	Tx2+	
B15	Tx2-	
B16	GND	
B17	Tx3+	
B18	Tx3-	
B19	GND	
A1	GND	
A2	Rx0+	
A3	Rx0-	
A4	GND	
A5	Rx1+	
A6	Rx1-	
A7	GND	
A8	SB0	
A9	SB1	
A10	GND(SB2)	
A11	SB5	
A12	SB6	
A13	GND	
A14	RX2+	
A15	Rx2-	
A16	GND	
A17	Rx3+	
A18	Rx3-	
A19	GND	

P1



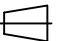
P3

CONNECTOR	SIGNAL	PIN/PAD
GND		A19
Rx4+		A20
Rx4-		A21
GND		A22
Rx5+		A23
Rx5-		A24
GND		A25
SB7B		A26
SB4B		A27
GND(SB3B)		A28
SBB+		A29
SBB-		A30
GND		A31
Rx6+		A32
Rx6-		A33
GND		A34
Rx7+		A35
Rx7-		A36
GND		A37
GND		B19
Tx4+		B20
Tx4-		B21
GND		B22
Tx5+		B23
Tx5-		B24
GND		B25
SB0B		B26
SB1B		B27
GND(SB2B)		B28
SB5B		B29
SB6B		B30
GND		B31
Tx6+		B32
Tx6-		B33
GND		B34
Tx7+		B35
Tx7-		B36
GND		B37

PIN/PAD	CONNECTOR	SIGNAL
B1	GND	
B2	Tx0+	
B3	Tx0-	
B4	GND	
B5	Tx1+	
B6	Tx1-	
B7	GND	
B8	SB7	
B9	SB4	
B10	GND(SB3)	
B11	SBA+	
B12	SBA-	
B13	GND	
B14	Tx2+	
B15	Tx2-	
B16	GND	
B17	Tx3+	
B18	Tx3-	
B19	GND	
A1	GND	
A2	Rx0+	
A3	Rx0-	
A4	GND	
A5	Rx1+	
A6	Rx1-	
A7	GND	
A8	SB0	
A9	SB1	
A10	GND(SB2)	
A11	SB5	
A12	SB6	
A13	GND	
A14	RX2+	
A15	Rx2-	
A16	GND	
A17	Rx3+	
A18	Rx3-	
A19	GND	

NOTES:

PIN/PAD ON CONNECTOR S0 SHARED ON CONNECTORS P0 AND P1.  
 END TO END RESISTANCE OF INDICATED CONNECTION SHALL BE 750 MILLIOHM MAX.

							
TITLE	MCIO x8 to X2 MCIO x4, XXM CABLE					SHEET	2/2
CUSTOMER		CUSTOMER P/N		MCIO5-8X-4X2-XXM	DRAWING	<i>lupeng</i>	
DWG NO.	WIPT20210823002	UNIT	SCALE	REV	VIEW	CHECKED	<i>lupeng</i>
IPT P/N		mm	NONE	A	 	APPROVAL	