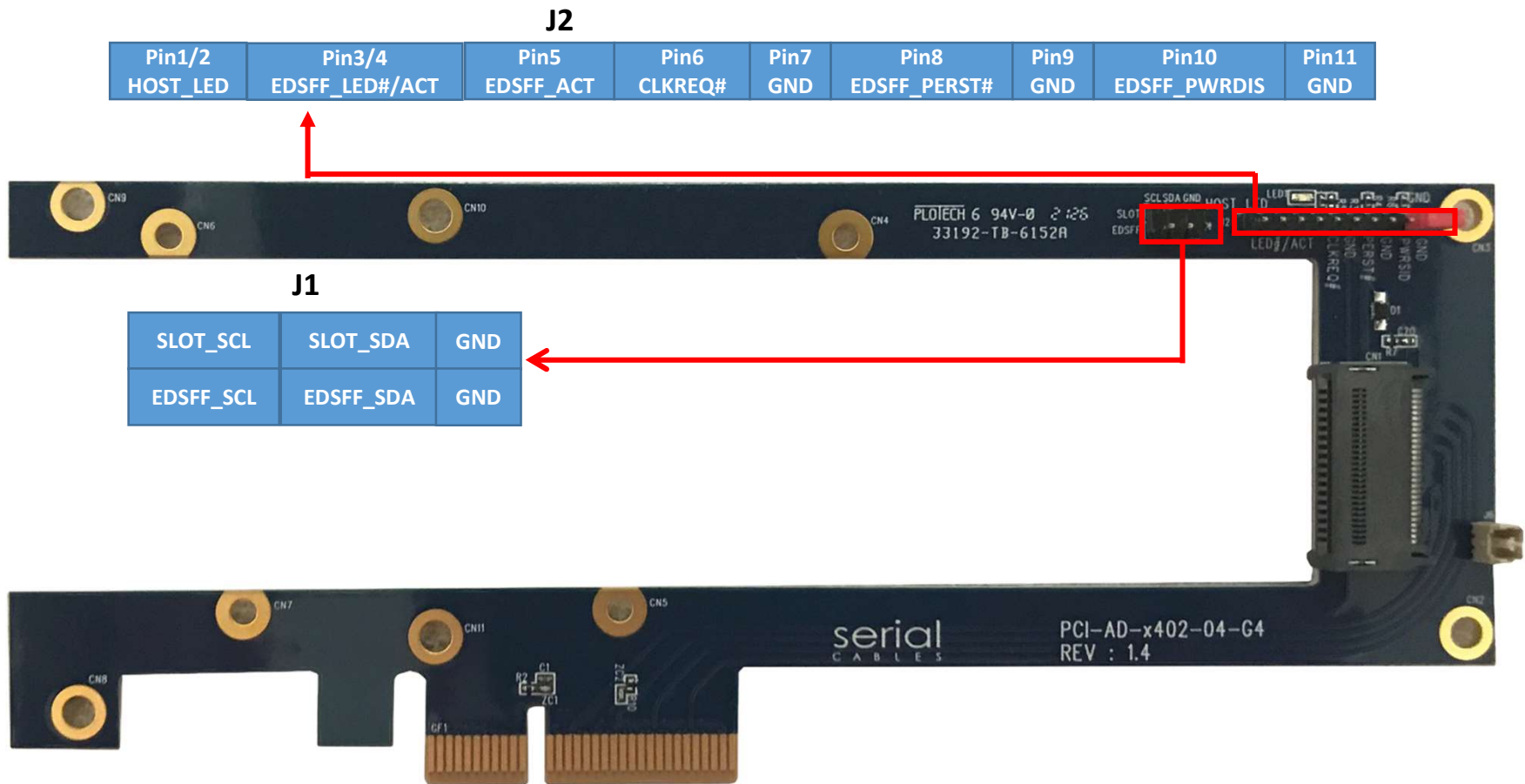




serial
C A B L E S

PCIe Gen4 X4 Slot To EDSFF Adapter Card

P/N: PCI4-AD-x402-04-G4 REV1.4





EDSFF LED/ACTIVITY

- ◆ The LED signal is asserted by the host to drive an amber LED on the device
J2 Pin2 and 3 ON, then have host control signal sending from J2 Pin1
- ◆ The ACTIVITY signal is asserted by the device to indicate SSD activity
J2 Pin4 and 5 ON, activity LED control by EDSFF drive.

