

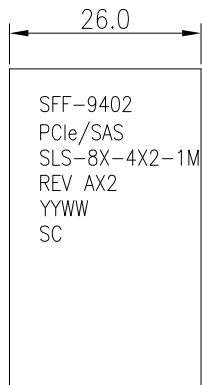
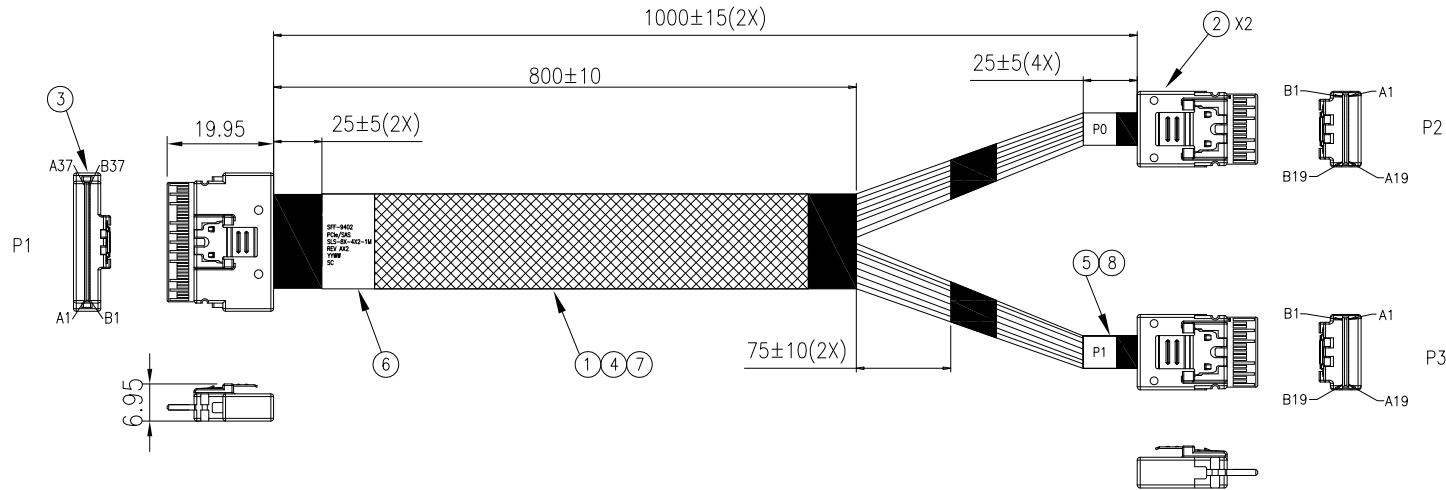
The marking on this product doesn't contain environmental hazardous materials per directive 2011/65/EU for RoHS compliance.

REVISIONS

ECN NO.	REV.	DESCRIPTIONS	CHECKED	APPROVED	DATE
REL.	AX1	INITIAL RELEASE	KOCHI	DAVID	11/01/2016
	AX2	ADD PACKAGE AND CHANGE PN OF CUSTOMER	JIESS	KASUN	06/19/2018

NOTE:

- ELECTRICAL AND MECHANICAL PERFORMANCE SHOULD MEET THE SAS3.0 INDUSTRIAL STARDAND.  
电气和机械特性遵循SAS3.0工业标准.
- HE CABLE ASSEMBLY SHOULD BE RoHS2.0 COMPLIANT.  
该产品通过RoHS2.0认证.



LABEL DETAIL

8	HMLSB14401	LABEL:14*40MM,WHT,HF	2
7	T-H03302320X	WIRE,32AWG,UL3302,7/0.08,HF	A/R
6	HMLSB70261	LABEL 70*26MM WHITE,R2,HF	1
5	HMMTP00012	ACETATE TAPE:W=1INCH,HF	A/R
4	T-HMTBD07002	EXPANDO TUB:7.0MM,GREEN,SINGLE(OD7~25MM),R2,HF	A/R
3	AST8654-0074-02	SLIMLINE 74P CONNECTOR,STRAIGHT,LOW PROFILE	1
2	AST8654-0038-07	X4 NARROW SlimSAS 38PIN STRAIGHT PLUG	2
1	T-HWSS320020	SAS CBL: 32AWG Loose 85ohm,VW-1,HF,24G	A/R
ITEM	VENDOR P/N	DESCRIPTION	QTY

This drawing is the property of Serial Cables and is delivered on the express condition that it is not to be disclosed, reproduced or used, in whole or in part, for manufacture or sale by anyone other than Serial Cables without its prior consent, and that no right is granted to disclose or use any information in this drawing.



GENERAL TOLERANCES	
.X:	± 0.5
.XX:	± 0.3
.XXX:	± 0.01
ANGULAR:	± 1°

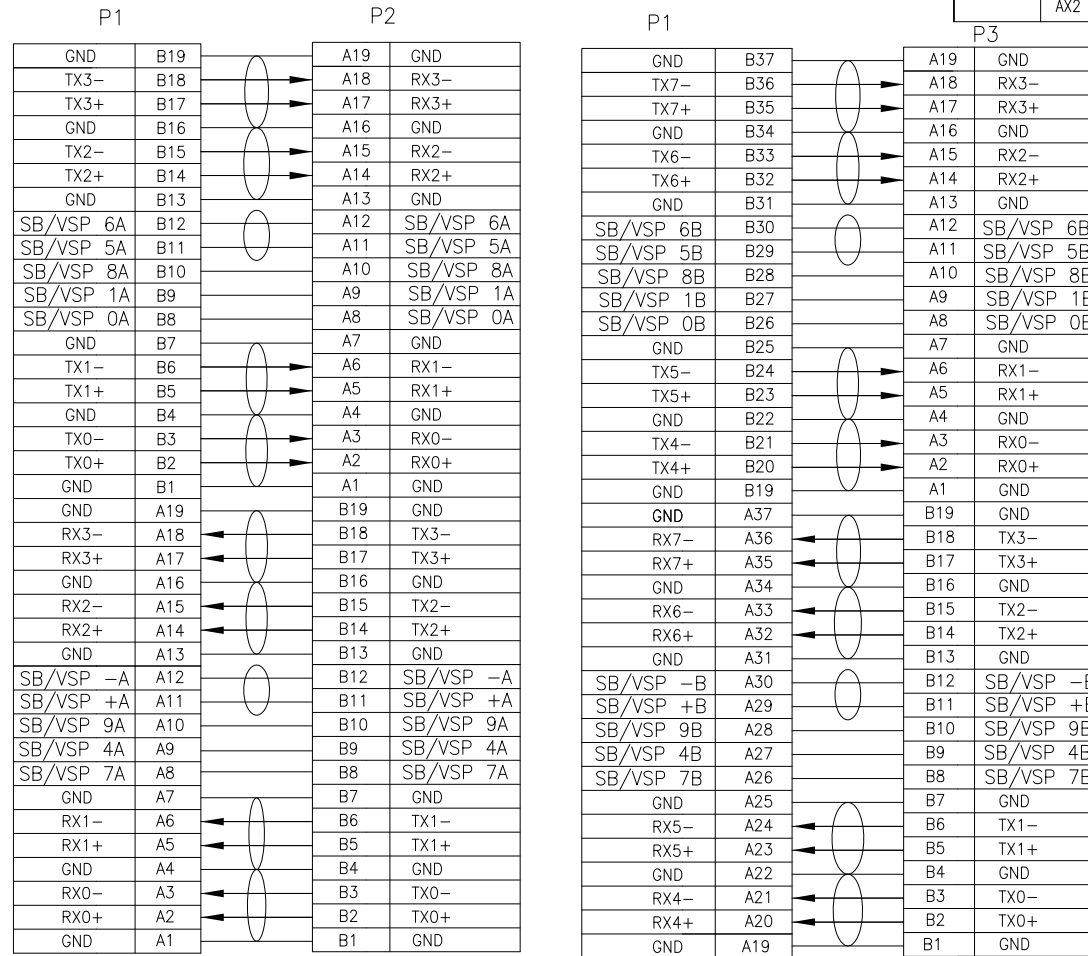
DRAWN:	NATHAN CAO	DATE:	06/19/2018
CHECKED:	JIESS HUANG	DATE:	06/19/2018
APPROVED:	KASUN LI	DATE:	06/19/2018

TITLE:		
SC P/N:SLS-8X-4X2-1M SAS SLIMLINE 8I PLUG TO 2XSAS SLIMLINE 4I PLUG CABLE		
DWG. No.: RSL74-0746		
SCALE: NONE		SHEET 1 OF 3
UNIT: MM	SIZE: A4	REV.: AX2

The marking on this product doesn't contain environmental hazardous materials per directive 2011/65/EU for RoHS compliance.

REVISIONS

ECN NO.	REV.	DESCRIPTIONS	CHECKED	APPROVED	DATE
REL.	AX1	INITIAL RELEASE	KOCHI	DAVID	11/01/2016
	AX2	ADD PACKAGE AND CHANGE PN OF CUSTOMER	JIESS	KASUN	06/19/2018



WIRE DIAGRAM

GENERAL TOLERANCES

.X:	± 0.5
.XX:	± 0.3
.XXX:	± 0.01
ANGULAR:	± 1°

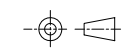
This drawing is the property of Serial Cables and is delivered on the express condition that it is not to be disclosed, reproduced or used, in whole or in part, for manufacture or sale by anyone other than Serial Cables without its prior consent, and that no right is granted to disclose or use any information in this drawing.

DRAWN:	NATHAN CAO	DATE:	06/19/2018
CHECKED:	JIESS HUANG	DATE:	06/19/2018
APPROVED:	KASUN LI	DATE:	06/19/2018



TITLE:  
SC P/N:SLS-8X-4X2-1M  
SAS SLIMLINE 8i PLUG TO 2XSAS SLIMLINE 4i PLUG CABLE

DWG. No.:	RSL74-0746	SCALE:	NONE	SHEET	2 OF 3
UNIT:	MM	SIZE:	A4	REV.:	AX2

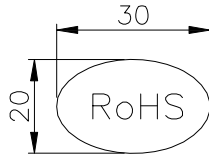


The marking on this product doesn't contain environmental hazardous materials per directive 2011/65/EU for RoHS compliance.

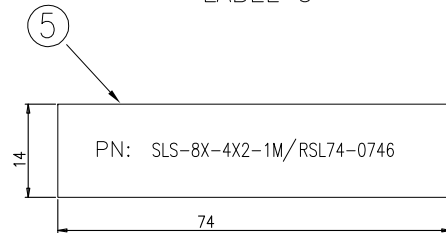
REVISIONS

ECN NO.	REV.	DESCRIPTIONS	CHECKED	APPROVED	DATE
REL.	AX1	INITIAL RELEASE	KOCHI	DAVID	11/01/2016
	AX2	ADD PACKAGE AND CHANGE PN OF CUSTOMER	JIESS	KASUN	06/19/2018

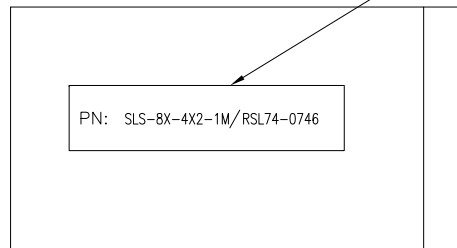
LABEL 2



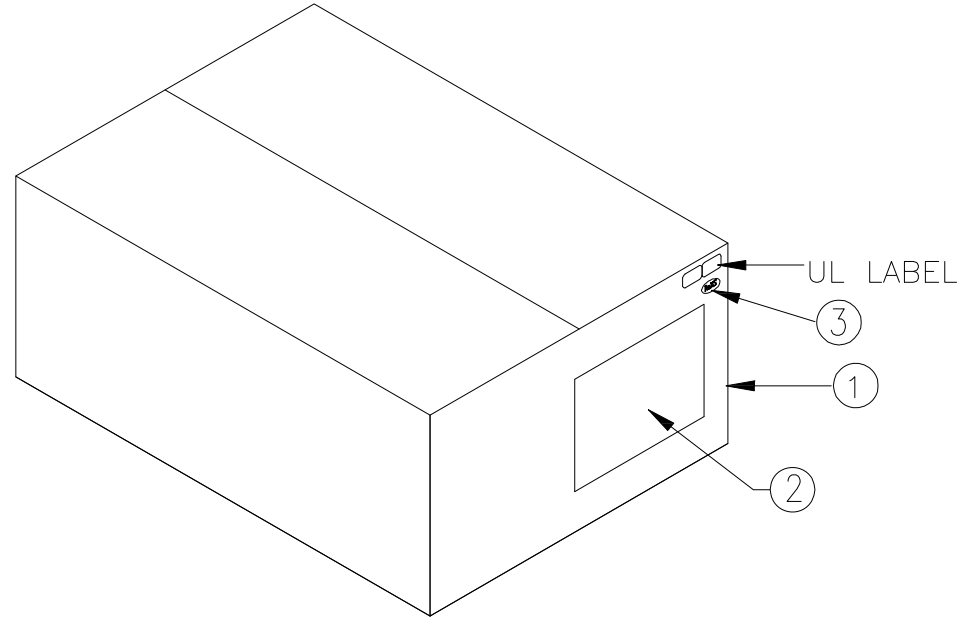
LABEL 3



⑤ The label is stuck in the middle.



④ 1PCS PRODUCTS PUT INTO THE PE BAG



5	HMLSB14741	LABEL:Synthetic Paper,14*74MM,WHT,HF	1
4	RMBZIP0018	ZIP BAG:120*300MM,T=6C	1
3	RMLSW30201	RoHS LABEL:30*20MM, LABEL5 INFO	1
2	RMLSB00401	LABEL3:100*40MM,WHT,BLANK,R2	1
1	RMBCTN0019	CARTON:590*240*200MM E TYPE	1
ITEM	PART NUMBER	DESCRIPTION	Q'TY

GENERAL TOLERANCES

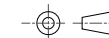
.X:	± 0.5
.XX:	± 0.3
.XXX:	± 0.01
ANGULAR:	± 1°

This drawing is the property of Serial Cables and is delivered on the express condition that it is not to be disclosed, reproduced or used, in whole or in part, for manufacture or sale by anyone other than Serial Cables without its prior consent, and that no right is granted to disclose or use any information in this drawing.



TITLE:  
SC P/N:SLS-8X-4X2-1M  
SAS SLIMLINE 8i PLUG TO 2XSAS SLIMLINE 4i PLUG CABLE

DWG. No.: RSL74-0746



SCALE: NONE

SHEET 3 OF 3

UNIT: MM

SIZE: A4

REV.: AX2

DRAWN:	NATHAN CAO	DATE:	06/19/2018
CHECKED:	JIESS HUANG	DATE:	06/19/2018
APPROVED:	KASUN LI	DATE:	06/19/2018