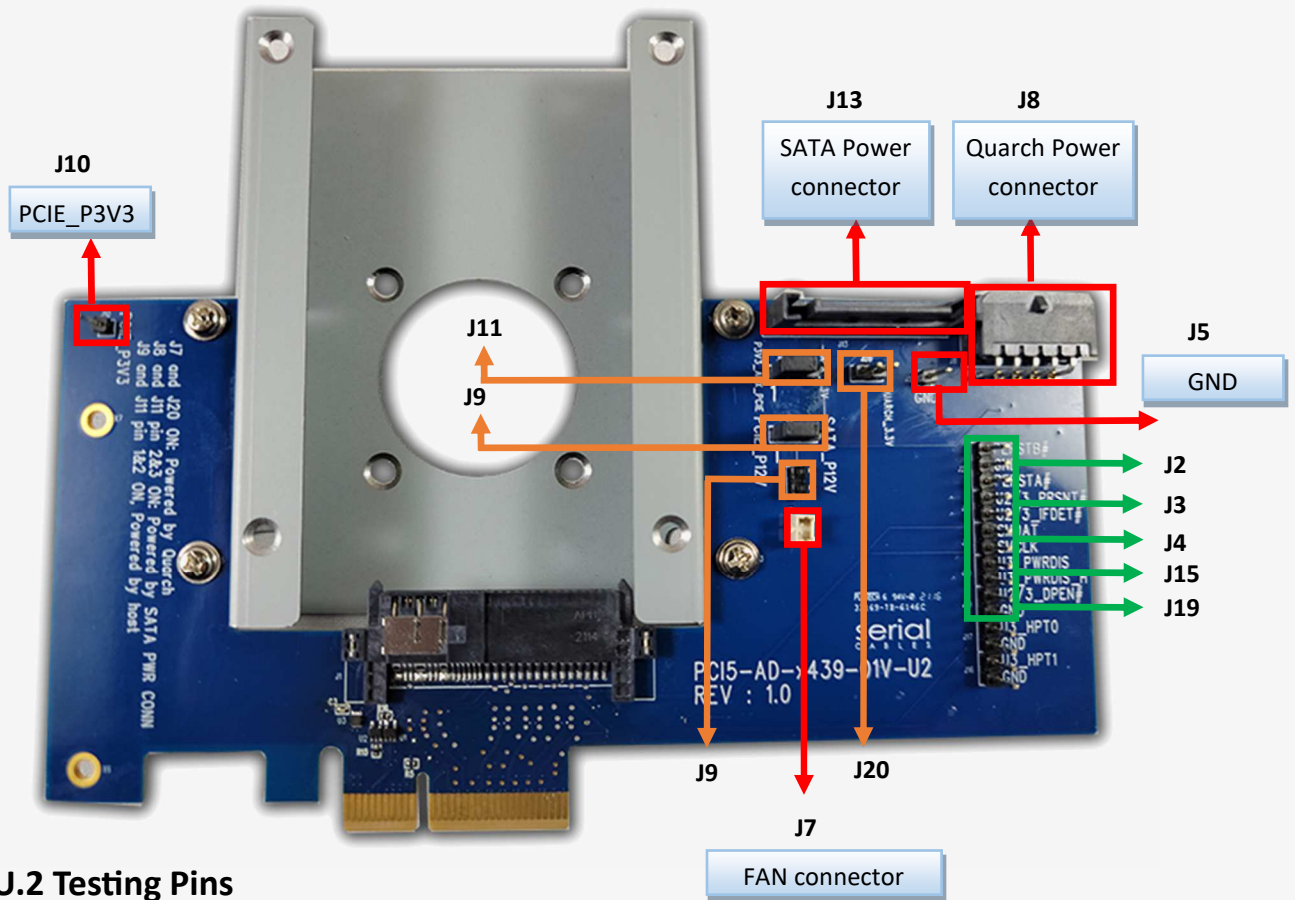




P/N: PCI5-AD-x439-01V-U2



U.2 Testing Pins

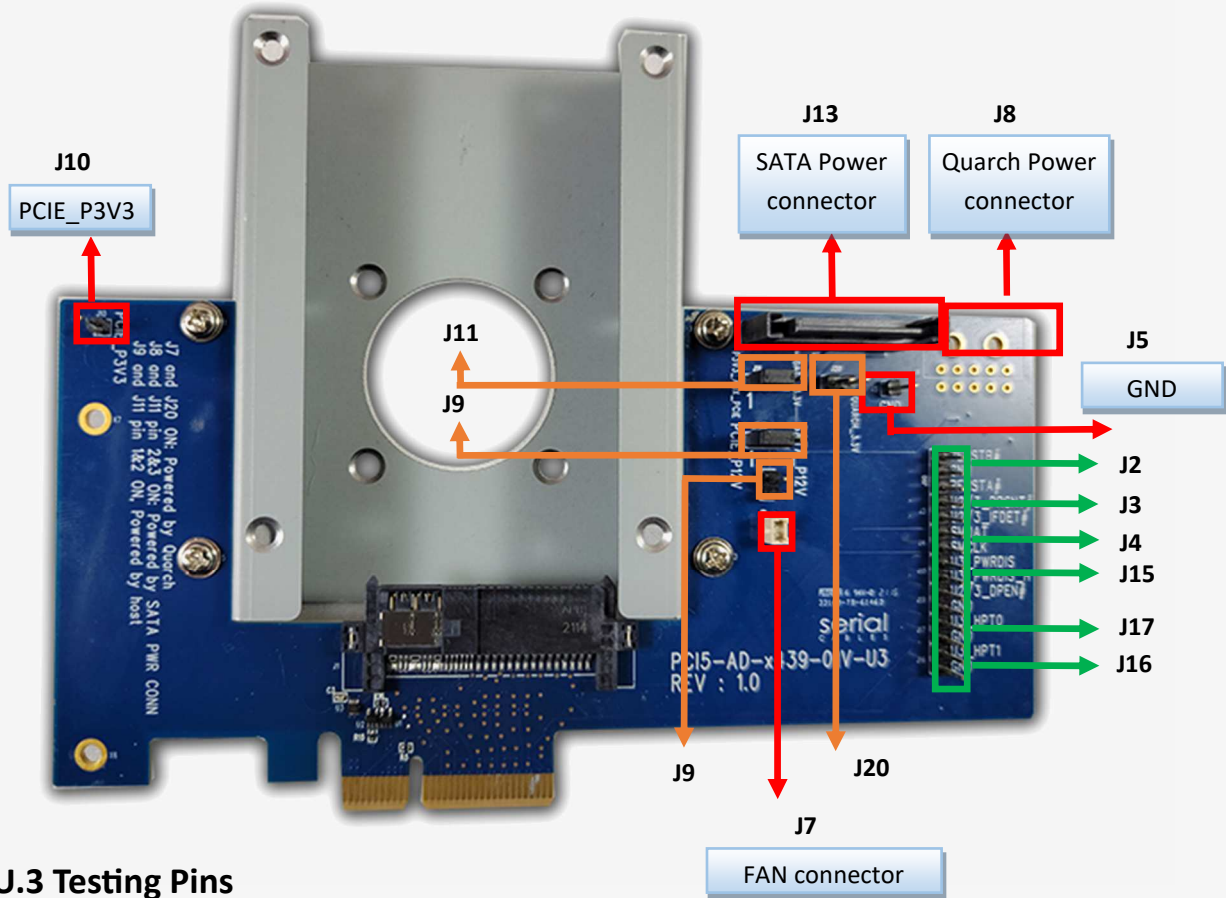
Location	Pinout	Pins in SFF8639
J2	PERST#_B GND PERST#_A	E4 GNDs E5
J3	PRSNT# IFDET#	P10 (Pull up 3.3V with 4.7K ohm) P4 (Pull up 3.3V with 4.7K ohm)
J4	SDA SCL	E24 E23
J15	U2_PWRDIS U2_PWRDIS_H	P3 (Pull down with 1K ohm)
J19	DP_EN# GND	E25 GNDs

Power Sourcing Selection

Powered by	Jumpers Setting
Quarch Connector	J7 and J20 ON
Golden Finder (Host)	J9 and J11 Pins 1&2 ON
SATA Connector	J9 and J11 Pins 2&3 ON



P/N: PCI5-AD-x439-01V-U3



U.3 Testing Pins

Location	Pinout	Pins in SFF8639
J2	PERST#_B GND PERST#_A	E4 GNDs E5
J3	PRSNT# IFDET#	P10 (Pull up 3.3V with 4.7K ohm) P4 (Pull up 3.3V with 4.7K ohm)
J4	SDA SCL	E24 E23
J15	U3_PWRDIS U3_PWRDIS_H	P3 (Pull down with 1K ohm)
J17	U3_HPT0 GND	S15 GNDs
J16	U3_HPT1 GND	E16 GNDs

Power Sourcing Selection

Powered by	Jumpers Setting
Quarch Connector	J7 and J20 ON
Golden Finder (Host)	J9 and J11 Pins 1&2 ON
SATA Connector	J9 and J11 Pins 2&3 ON