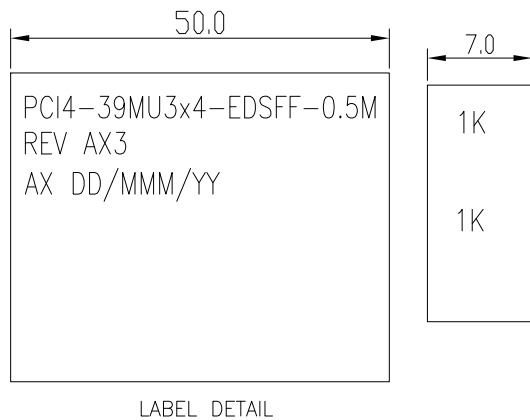
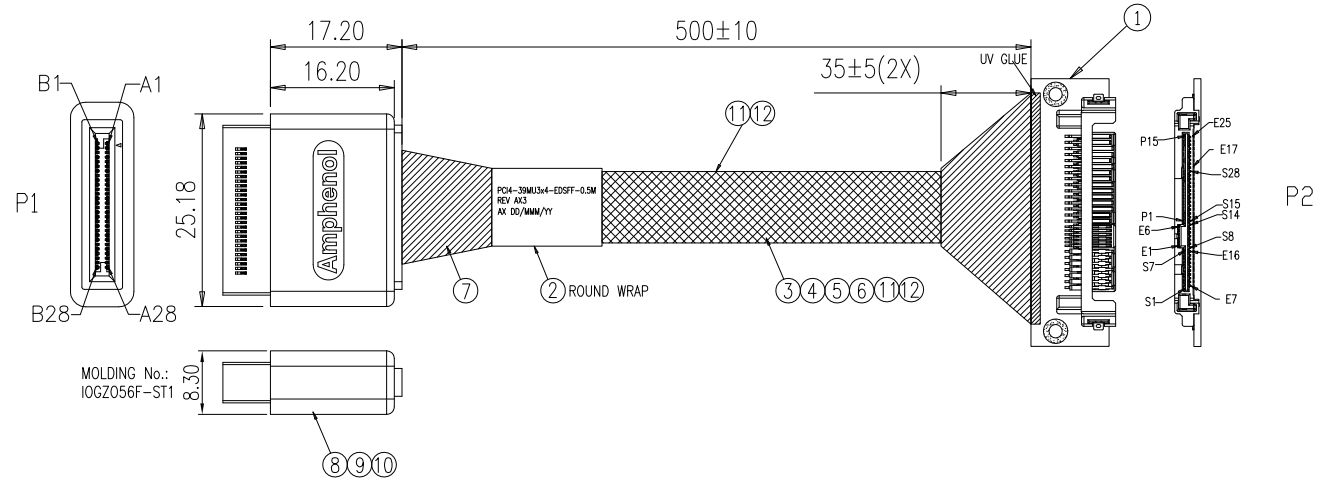


The marking on this product doesn't contain environmental hazardous materials per directive 2011/65/EU for RoHS compliance.

ECN NO.	REV.	DESCRIPTIONS	CHECKED	APPROVED	DATE
REL.	AX1	INITIAL RELEASE	FISK	KASUN	12/21/2019
	AX2	ADD WIRING TABLE AND PN	FISK	KASUN	02/03/2020
	AX3	CHANGE P2 TO MALE PLUG	FISK	KASUN	04/22/2020

- NOTE:
- 1.THE CABLE ASSEMBLY SHOULD BE RoHS2.0 COMPLIANT.
该产品通过RoHS2.0认证.
 - 2.ELECTRICAL PERFORMANCE SHOULD MEET THE PCIE4.0 CABLE SPEC,
电气特性遵循PCIE4.0规范.
 - 3.THE CABLE ASSEMBLY SHALL MEET BELOW IMPEDANCE REQUIREMENT: TERMINATION AREA: 85±15% OHMS,
CABLE ABSOLUTE AREA: 85±10% OHMS.
该产品满足下面阻抗特性: 接触区域85±15%欧姆, 线材为85±10%欧姆.
 4. THE LABEL STICK ON (P1)A9-E3(P2)
标签贴在 (P1)A9-E3(P2)上.



12	HMTNA00802	HS TUBE:ID0.8MM,EVA,BLK,HFF	1
11	HMLSB07301	LABEL:Synthetic Paper,7*30MM,WHT,HF	1
10	HMRPE45NT1	PE:LOW DENSITY,CLEAR,HF	A/R
9	RMRPV45092	PVC:45P,V0,BLK,Cd300PPM,N6P	A/R
8	HEPCBA0371	SFF 1002 1C PCBA (HEPCB56003 + HCGZ56F001)	1
7	HMMTP000XX	TAPE:W=1INCH,HF	A/R
6	HMTBD07001	EXPANDO TUB:7.0MM,BLK,SINGLE(OD7~25MM),R2,HF	A/R
5	H0330230CX	WIRE_30AWG,UL3302,1/0.254,0D0.55,FR-XLPE,VW-1,NO MARKING,HF	A/R
4	HMMM300068	RD CBL:30#2C+AM+HM,WHT/GRN,100ohm,VW-1,HF	A/R
3	RWSS300158	SAS CBL:30#2C+2D+HAM,85ohm,PP,BLU,VW-1,R2	A/R
2	HMLSB40501	LABEL:Synthetic Paper,40*50MM,WHT,BLANK,HF	1
1	REPCBA0495	PCBA:HEPCB68049+RCPE68F016	1
ITEM	P/N	DESCRIPTION	QTY

GENERAL TOLERANCES	
.X:	± 1.50
.XX:	± 0.10
.XXX:	±
ANGULAR:	±

This drawing is the property of Serial Cables and is delivered on the express condition that it is not to be disclosed, reproduced or used, in whole or in part, for manufacture or sale by anyone other than Serial Cables without its prior consent, and that no right is granted to disclose or use any information in this drawing.

DRAWN:	MAGGIE YUAN	DATE:	04/22/2020
CHECKED:	FISK ZENG	DATE:	04/22/2020
APPROVED:	KASUN LI	DATE:	04/22/2020

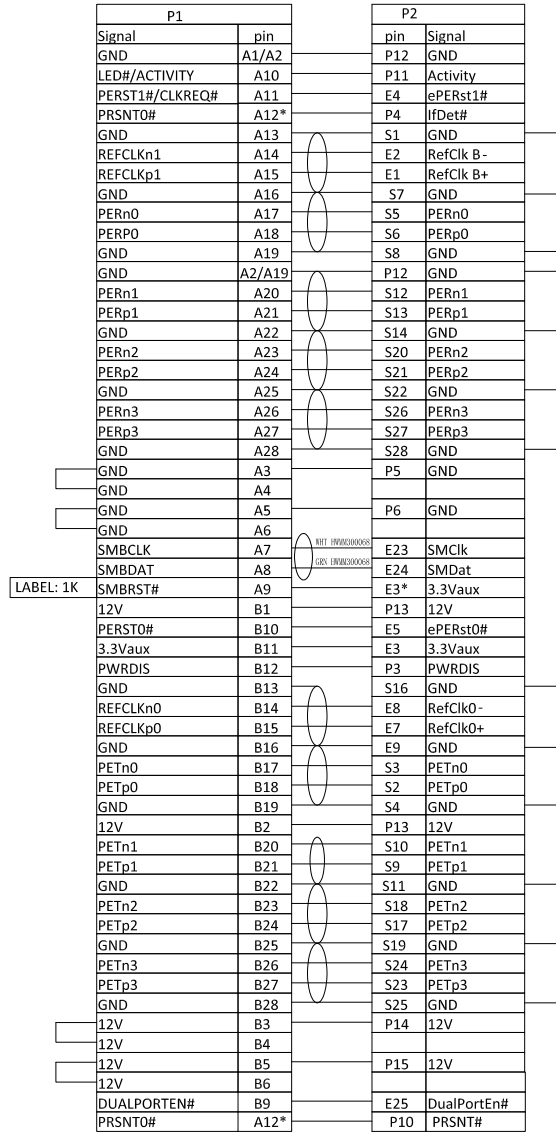


TITLE:	
PCI4-39MU3x4-EDSFF-0.5M GenZ 1C FEMALE PLUG TO SFF-8639 FEMALE CABLE ASSEMBLY	
DWG. No.: RGZ56-0119	
SCALE: NONE	SHEET 1 OF 3
UNIT: MM	REV.: AX3


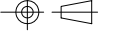
The marking on this product doesn't contain environmental hazardous materials per directive 2011/65/EU for RoHS compliance.

Ecn NO.	REV.	DESCRIPTIONS	CHECKED	APPROVED	DATE
REL.	AX1	INITIAL RELEASE	FISK	KASUN	12/21/2019
	AX2	ADD WIRING TABLE AND PN	FISK	KASUN	02/03/2020
	AX3	CHANGE P2 TO MALE PLUG	FISK	KASUN	04/22/2020

WIRE DIAGRAM



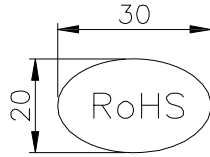
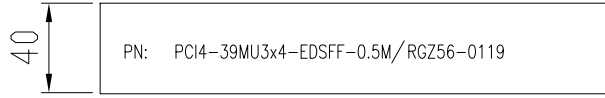
*MEANS DOUBLE SOLDER

GENERAL TOLERANCES		This drawing is the property of Serial Cables and is delivered on the express condition that it is not to be disclosed, reproduced or used, in whole or in part, for manufacture or sale by anyone other than Serial Cables without its prior consent, and that no right is granted to disclose or use any information in this drawing.			
.X:	± 0.5	DRAWN:	MAGGIE YUAN		
.XX:	± 0.3	CHECKED:	FISK ZENG	DATE:	04/22/2020
.XXX:	± 0.01	APPROVED:	KASUN LI	DATE:	04/22/2020
ANGULAR:	± 1°				
				TITLE: PCI4-39MU3x4-EDSFF-0.5M GenZ 1C FEMALE PLUG TO SFF-8639 FEMALE CABLE ASSEMBLY	
				DWG. No.: RGZ56-0119	
				SCALE: NONE SHEET 2 OF 3	
				UNIT: MM SIZE: A4 REV.: AX3	

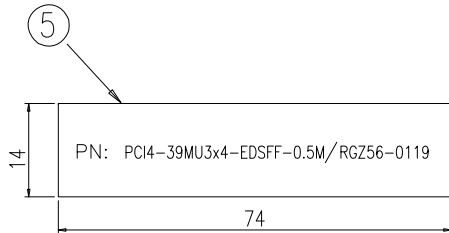
The marking on this product doesn't contain environmental hazardous materials per directive 2011/65/EU for RoHS compliance.

ECN NO.	REV.	DESCRIPTIONS	CHECKED	APPROVED	DATE
REL.	AX1	INITIAL RELEASE	FISK	KASUN	12/21/2019
	AX2	ADD WIRING TABLE AND PN	FISK	KASUN	02/03/2020
	AX3	CHANGE P2 TO MALE PLUG	FISK	KASUN	04/22/2020

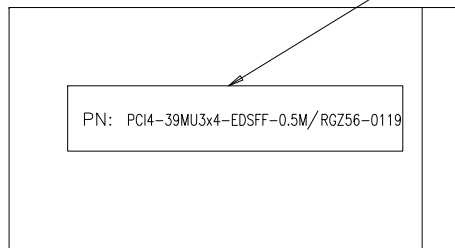
LABEL 2



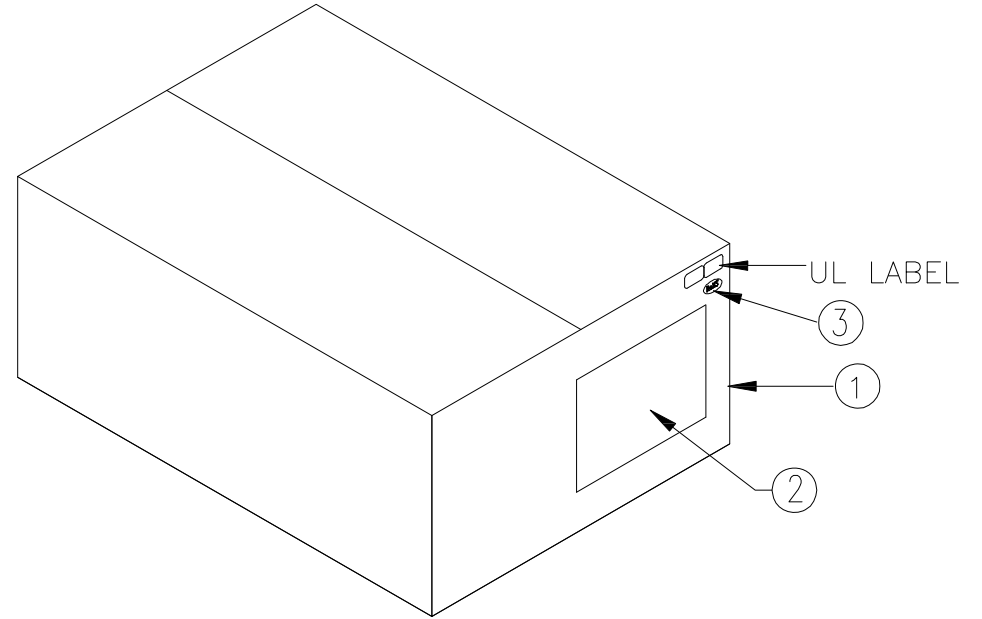
LABEL 3



⑤ The label is stucked in the middle.



④ 1PCS PRODUCTS PUT INTO THE PE BAG



5	HMLSB14741	LABEL:Synthetic Paper,14*74MM,WHT,HF	1
4	RMBZIP0012	ZIP BAG:100*340MM,T=6C	1
3	RMLSW30201	RoHS LABEL:30*20MM, LABEL5 INFO	1
2	RMLSB00401	LABEL3:100*40MM,WHT,BLANK,R2	1
1	RMBCTN0019	CARTON:590*240*200MM E TYPE	1
ITEM	PART NUMBER	DESCRIPTION	Q'TY

This drawing is the property of Serial Cables and is delivered on the express condition that it is not to be disclosed, reproduced or used, in whole or in part, for manufacture or sale by anyone other than Serial Cables without its prior consent, and that no right is granted to disclose or use any information in this drawing.



GENERAL TOLERANCES

.X:	± 0.5	DRAWN:	MAGGIE YUAN	DATE:	04/22/2020
.XX:	± 0.3	CHECKED:	FISK ZENG	DATE:	04/22/2020
.XXX:	± 0.01	APPROVED:	KASUN LI	DATE:	04/22/2020
ANGULAR:	± 1'				

TITLE:		
PC14-39MU3x4-EDSFF-0.5M GenZ 1C FEMALE PLUG TO SFF-8639 FEMALE CABLE ASSEMBLY		
DWG. No.: RGZ56-0119		
	SCALE: NONE	SHEET 3 OF 3
UNIT: MM	SIZE: A4	REV.: AX3