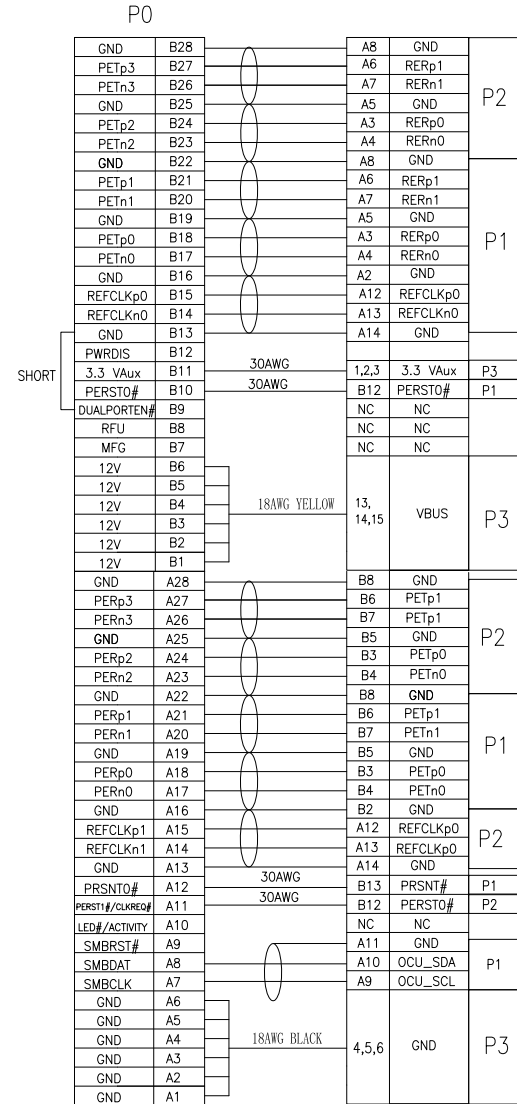


The marking on this product doesn't contain environmental hazardous materials per directive 2011/65/EU for RoHS compliance.

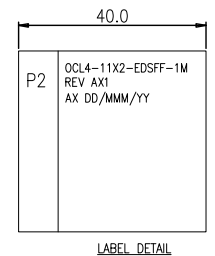
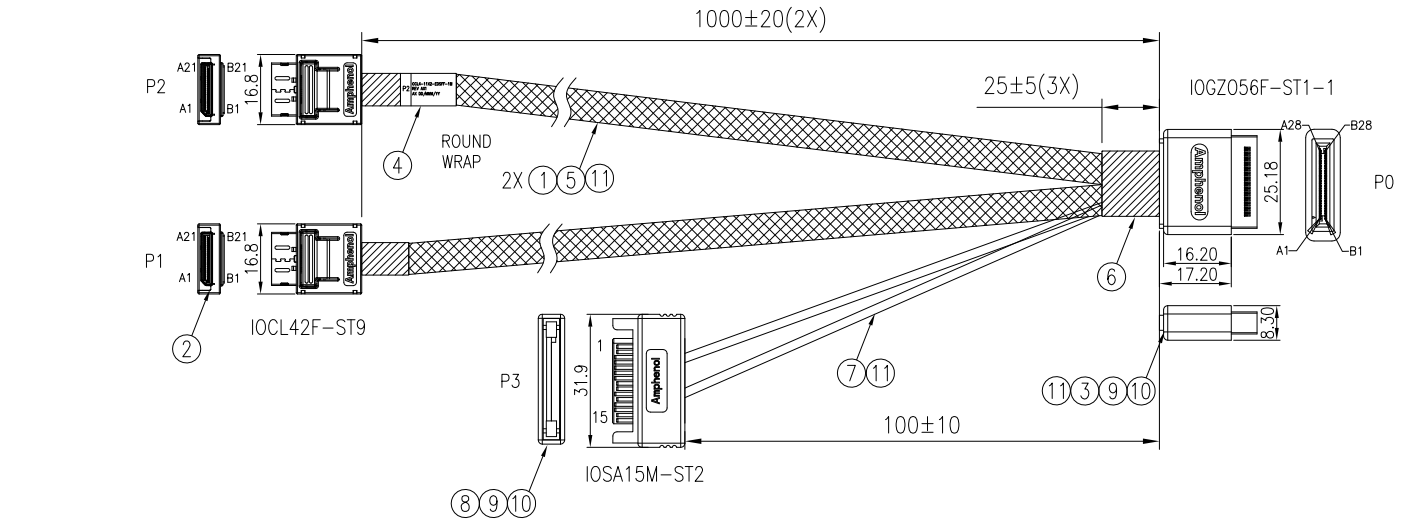
NOTE:

1. THE CABLE ASSEMBLY SHALL BE MEET RoHS2.0 COMPLIANT.  
该产品通过RoHS2.0认证。
2. THE CABLE ASSEMBLY SHALL MEET BELOW IMPEDANCE REQUIREMENT:  
TERMINATION AREA: 85±15% OHMS, CABLE ABSOLUTE AREA: 85±10% OHMS.  
该产品满足下面阻抗特性: 接触区域85±15% 欧姆, 线材为85±10% 欧姆。
3. ELECTRICAL PERFORMANCE SHOULD MEET THE PCIE GEN4 CABLE SPEC,  
电气特性遵循PCIE GEN4规范。

REVISIONS					
ECN NO.	REV.	DESCRIPTIONS	CHECKED	APPROVED	DATE
REV.	AX1	INITIAL RELEASE	FIKSK	KASUN	01/06/2020



B9 OF P0 IS CONNECTED TO GND



11	H0330230CX	WIRE_30AWG,UL3302,1/0.254,0D0.55,FR-XLPE,VW-1,NO MARKING,HF	A/R
10	HMRPE45NT1	PE:LOW DENSITY,CLEAR,HF	A/R
9	RMRPV45101	PVC,45P,V1,BLACK	A/R
8	10115M02	SATA CONN:15P,M,BRS,G/F,LCP,V0,BLK	1
7	R10070180X	WIRE:18AWG,41C,UL1007	A/R
6	HMMTPOXXXX	TAPE:BLK,HF	A/R
5	HMTBD00501	EXPANDO TUBE:OD=5MM,BLACK,VW-1,HF	A/R
4	HMLSB40501	LABEL:Synthetic Paper,40*50MM,WHT,BLANK,HF	1
3	HEPCBA0371	SFF 1002 1C PCBA (HEPCB56003 + HCGZ56F001)	1
2	OCL42-0012	OCulink 4i STR with Active Latch,Black,V0,85ohms	2
1	HWSS300076	SAS CBL:UL20744,30#1P+2D,VW-1,185ohm,YEL,HF	A/R
ITEM	P/N	DESCRIPTION	QTY

This drawing is the property of Serial Cables and is delivered on the express condition that it is not to be disclosed, reproduced or used, in whole or in part, for manufacture or sale by anyone other than Serial Cables without its prior consent, and that no right is granted to disclose or use any information in this drawing.



GENERAL TOLERANCES	
.X:	± 0.5
.XX:	± 0.3
.XXX:	± 0.15
ANGULAR:	± 1°

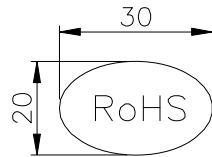
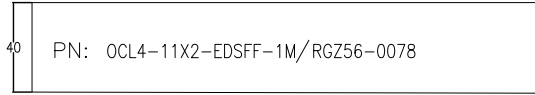
DRAWN:	DEVIN ZHOU	DATE:	01/06/2020
CHECKED:	FIKSK ZENG	DATE:	01/06/2020
APPROVED:	KASUN LI	DATE:	01/06/2020

TITLE:		SC P/N:OCL4-11X2-EDSFF-1M OCULINK 4X STR *2 TO SFF-1002	
DWG. No.:		RGZ56-0125	
SCALE:		NONE	
SHEET		1 OF 2	
UNIT:	MM	SIZE:	A4
REV.:	AX1		

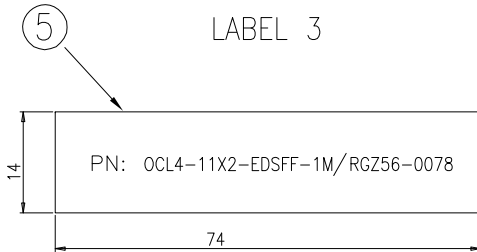
The marking on this product doesn't contain environmental hazardous materials per directive 2011/65/EU for RoHS compliance.

REVISIONS						
ECN NO.	REV.	DESCRIPTIONS	CHECKED	APPROVED	DATE	
	REV.	AX1	INITIAL RELEASE	FIKSK	KASUN	01/06/2020

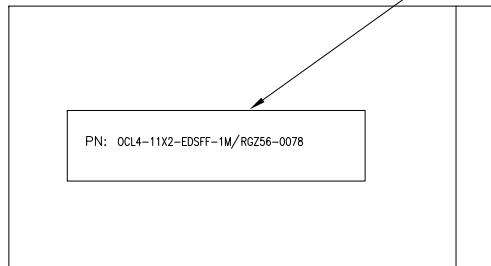
LABEL 2



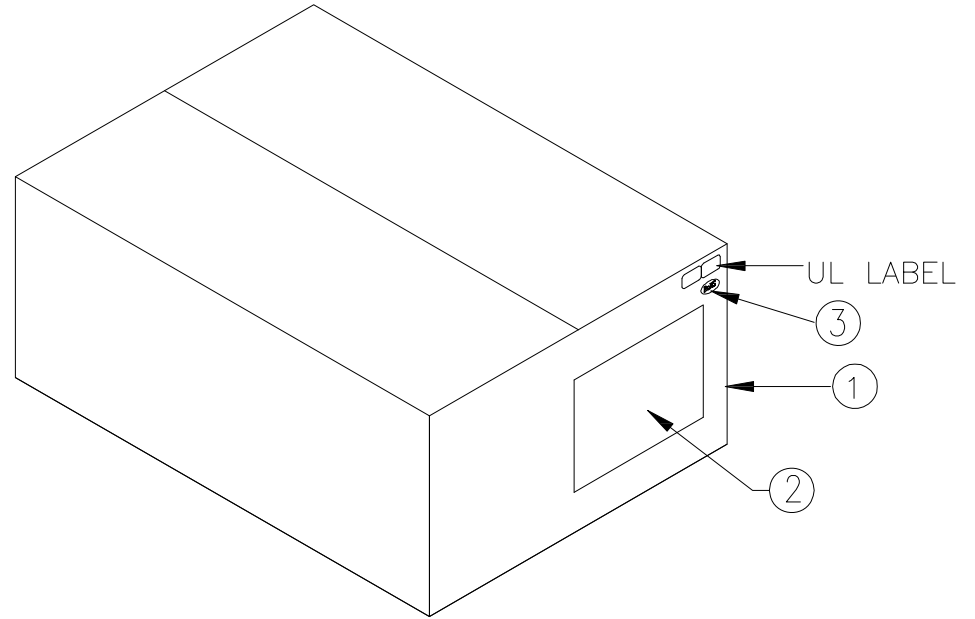
LABEL 3



⑤ The label is stucked in the middle.



④ 1PCS PRODUCTS PUT INTO PE BAG



5	HMLSB14741	LABEL:Synthetic Paper,14*74MM,WHT,HF	1
4	RMBZIP0018	ZIP BAG:120*300MM,T=6C	1
3	RMLSW30201	RoHS LABEL:30*20MM, LABEL5 INFO	1
2	RMLSB00401	LABEL3:100*40MM,WHT,BLANK,R2	1
1	RMBCTN0019	CARTON:590*240*200MM E TYPE	1
ITEM	PART NUMBER	DESCRIPTION	Q'TY

This drawing is the property of Serial Cables and is delivered on the express condition that it is not to be disclosed, reproduced or used, in whole or in part, for manufacture or sale by anyone other than Serial Cables without its prior consent, and that no right is granted to disclose or use any information in this drawing.



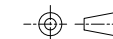
TITLE:  
SC P/N:OCL4-11X2-EDSFF-1M  
OCULINK 4X STR \*2 TO SFF-1002

DWG. No.: RGZ56-0125

GENERAL TOLERANCES

.X:	± 0.5
.XX:	± 0.3
.XXX:	± 0.15
ANGULAR:	± 1°

DRAWN:	DEVIN ZHOU	DATE:	01/06/2020
CHECKED:	FIKSK ZENG	DATE:	01/06/2020
APPROVED:	KASUN LI	DATE:	01/06/2020



SCALE: NONE

SHEET 2 OF 2

UNIT: MM

SIZE: A4

REV.: AX1