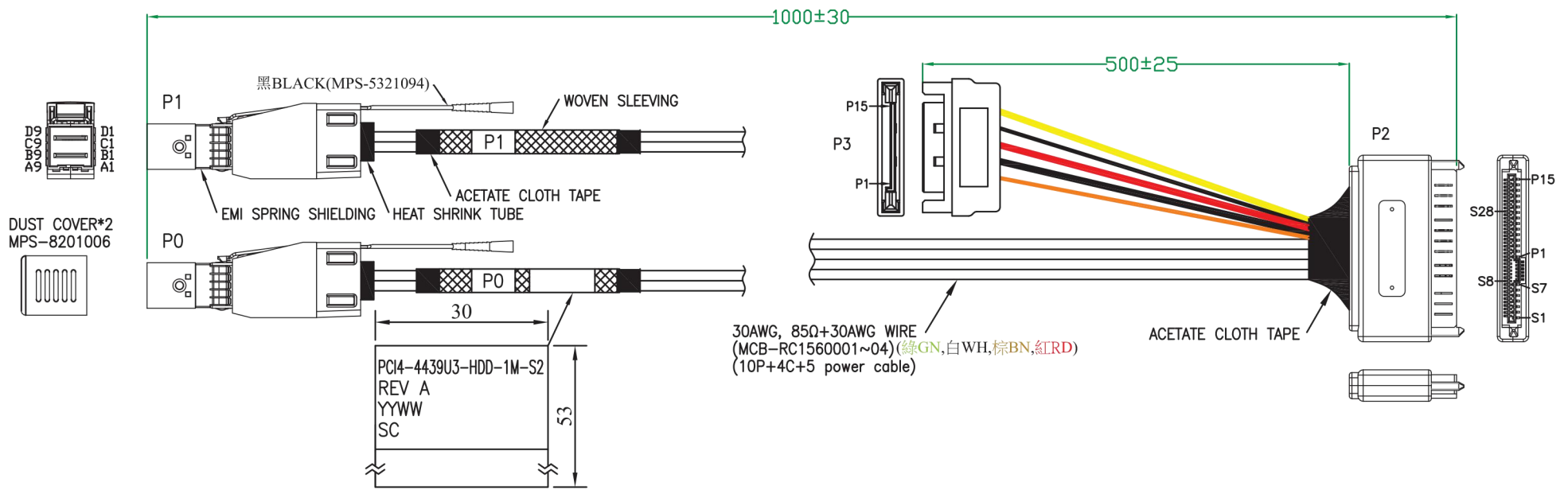


|      |               |           |       |
|------|---------------|-----------|-------|
| REV. | REMARK        | DATE      | SIGN. |
| ◇    | REVISE PINOUT | 10/13/'20 | Sino  |

RoHS

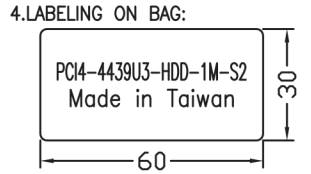


**MATERIAL RoHS COMPLIANT:**

**1.CABLE:**  
 CONDUCTOR: 30AWG SILVER PLATED COPPER.  
 INSULATION: FEP  
 DRAIN WIRE: 32AWG TINNED PLATED COPPER.  
 SHIELDING TAPE COVERAGE >=100%  
 PET TAPE COVERAGE >=100%  
 DIFFERENTIAL IMPEDANCE: 85±5 OHMS @TDR  
 MARKED ON ENTIRE LENGTH OF THE PAIR  
 WITH A 12mm MAX SPACING

**2.CONNECTOR:**  
 P0,P1: SFF-8644 4x CABLE PLUG  
 (1) P.C.B: 4 LAYERS, GOLD PLATING ON CONTACT PADS  
 (P/N: MPCB-040167LF REV.A / MPCB-040167LF REV.A)  
 (2) LATCH: STAINLESS STEEL  
 (3) BACKSHELL: ZINC DIE CASTING HOOD/ NICKEL PLATING  
 (4) PULL TAB: NYLON UL94V-0, COLOR: BLACK.(MPS-5321094)  
 (5) EMI SPRING SHIELDING  
 P2: U.3 CONNECTOR.(SFF-8639)  
 (1) P.C.B: 4 LAYERS, GOLD PLATING ON CONTACT PADS.(P/N: SPCB-0401931)  
 (2) HOUSING: ABS, BLACK.  
 (3) WITHOUT EARS NOR SCREWS.

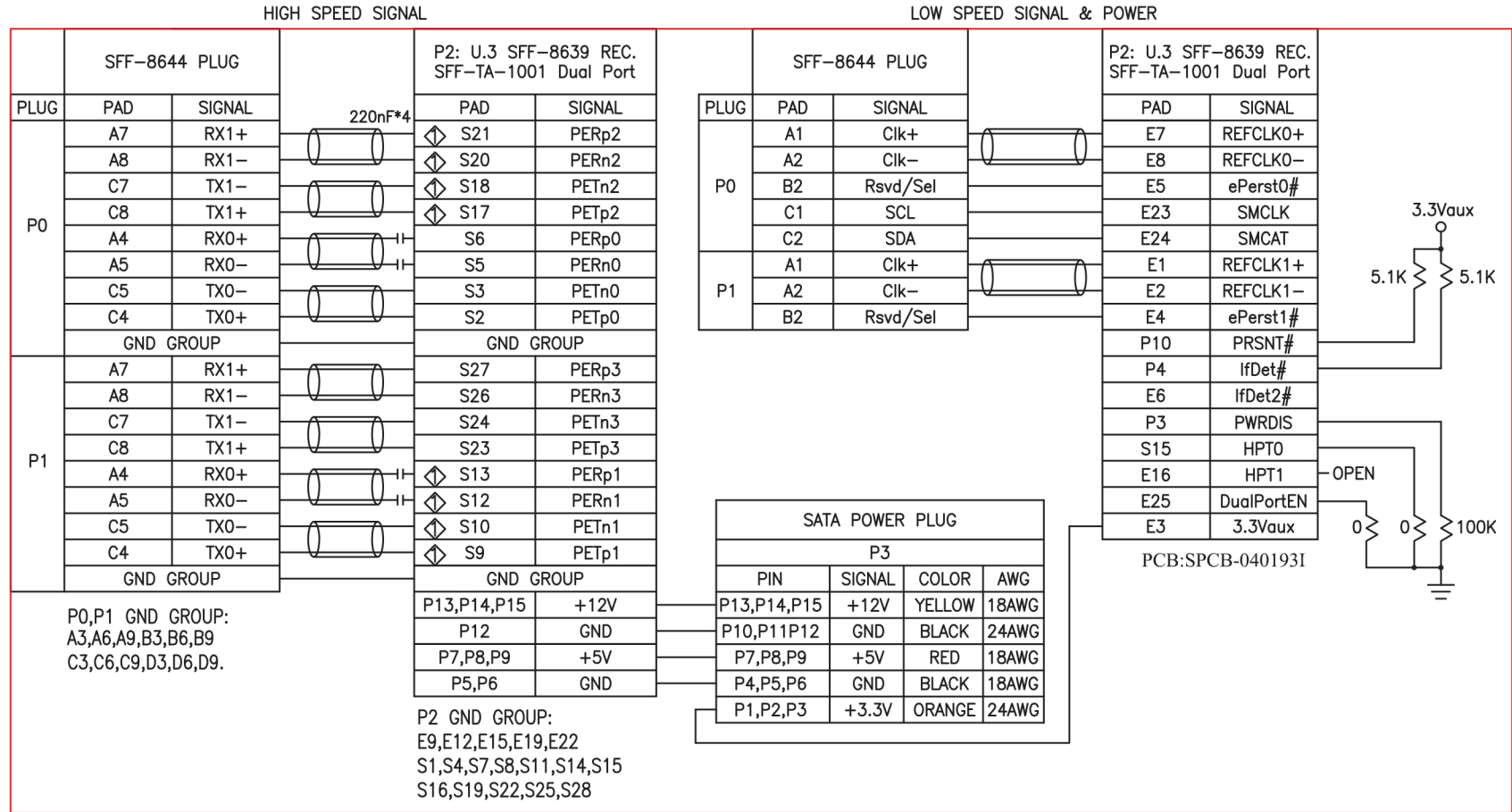
**2.CONNECTOR:**  
 P3: SATA 15P POWER PLUG  
 (1) POWER CABLE: UL 1007 18AWG\*2 80°C 300V  
 (2) POWER CABLE: UL 1007 24AWG\*2 80°C 300V  
**3.FOR PCIe GEN4 16.0 GT/s USE.**



|       |   |              |                       |          |           |       |           |         |            |  |
|-------|---|--------------|-----------------------|----------|-----------|-------|-----------|---------|------------|--|
| DESC. | SFF-8644*2 TO U.3 REC. WITH SATA 15P POWER CABLE ASS'Y-GEN4 | APPROVED     | CHECKED               | DESIGNED | TOLERANCE | SCALE | *         | UNIT    | mm         |  |
| P/N   | B-7218  | CUSTOMER P/N | PCI4-4439U3-HDD-1M-S2 |          | Sino      | DATE  | 10/13/'20 | DWG NO: | DWG\B\7218 |  |

|      |               |           |       |
|------|---------------|-----------|-------|
| REV. | REMARK        | DATE      | SIGN. |
| ◇    | REVISE PINOUT | 10/13/'20 | Sino  |

WIRING DIAGRAM BY CUSTOMER



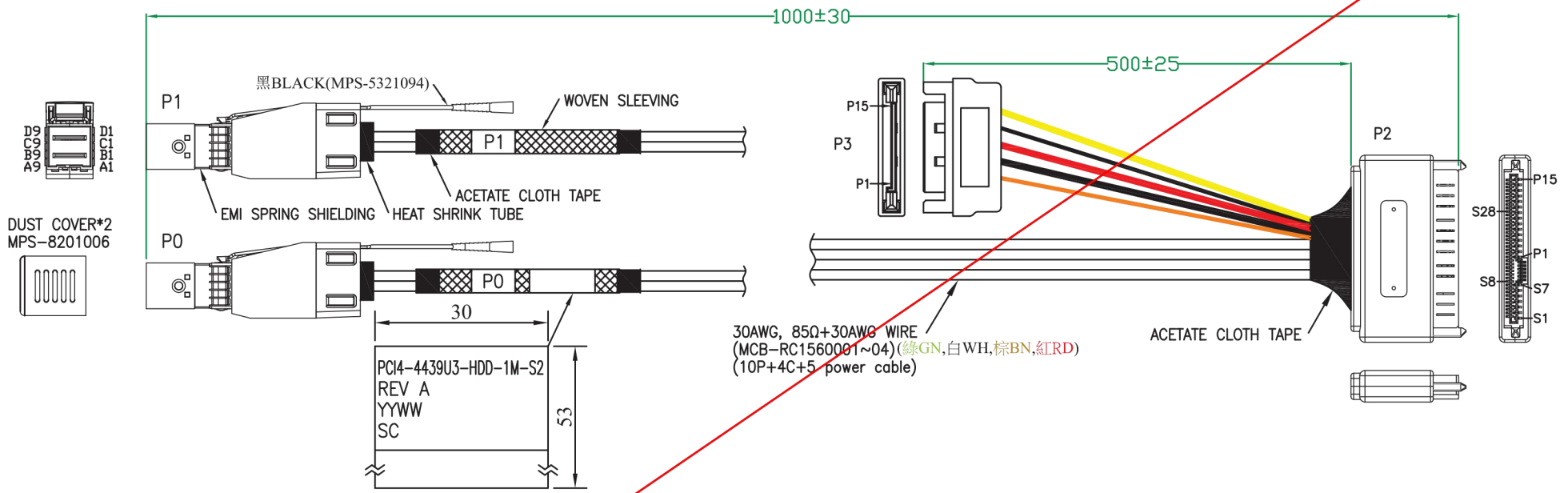
\*客製化接點



|       |   |              |                       |          |           |       |           |         |            |
|-------|---|--------------|-----------------------|----------|-----------|-------|-----------|---------|------------|
| DESC. | SFF-8644*2 TO U.3 REC. WITH SATA 15P POWER CABLE ASS'Y-GEN4 | APPROVED     | CHECKED               | DESIGNED | TOLERANCE | SCALE | *         | UNIT    | mm         |
| P/N   | B-7218  | CUSTOMER P/N | PCIA-4439U3-HDD-1M-S2 | Sino     |           | DATE  | 10/13/'20 | DWG NO: | DWG\B\7218 |

|      |        |      |       |
|------|--------|------|-------|
| REV. | REMARK | DATE | SIGN. |
|      |        |      |       |

RoHS

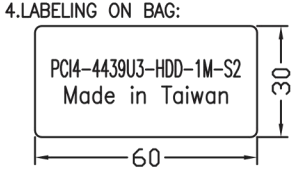


**MATERIAL RoHS COMPLIANT:**

1.CABLE:  
 CONDUCTOR: 30AWG SILVER PLATED COPPER.  
 INSULATION: FEP  
 DRAIN WIRE: 32AWG TINNED PLATED COPPER.  
 SHIELDING TAPE COVERAGE >=100%  
 PET TAPE COVERAGE >=100%  
 DIFFERENTIAL IMPEDANCE: 85±5 OHMS @TDR  
 MARKED ON ENTIRE LENGTH OF THE PAIR  
 WITH A 12mm MAX SPACING

2.CONNECTOR:  
 P0,P1: SFF-8644 4x CABLE PLUG  
 (1) P.C.B: 4 LAYERS, GOLD PLATING ON CONTACT PADS  
 (P/N: MPCB-040167LF REV.A / MPCB-040167LF REV.A)  
 (2) LATCH: STAINLESS STEEL  
 (3) BACKSHELL: ZINC DIE CASTING HOOD/ NICKEL PLATING  
 (4) PULL TAB: NYLON UL94V-0, COLOR: BLACK.(MPS-5321094)  
 (5) EMI SPRING SHIELDING  
 P2: U.3 CONNECTOR.(SFF-8639)  
 (1) P.C.B: 4 LAYERS, GOLD PLATING ON CONTACT PADS.(P/N: SPCB-0401931)  
 (2) HOUSING: ABS, BLACK.  
 (3) WITHOUT EARS NOR SCREWS.

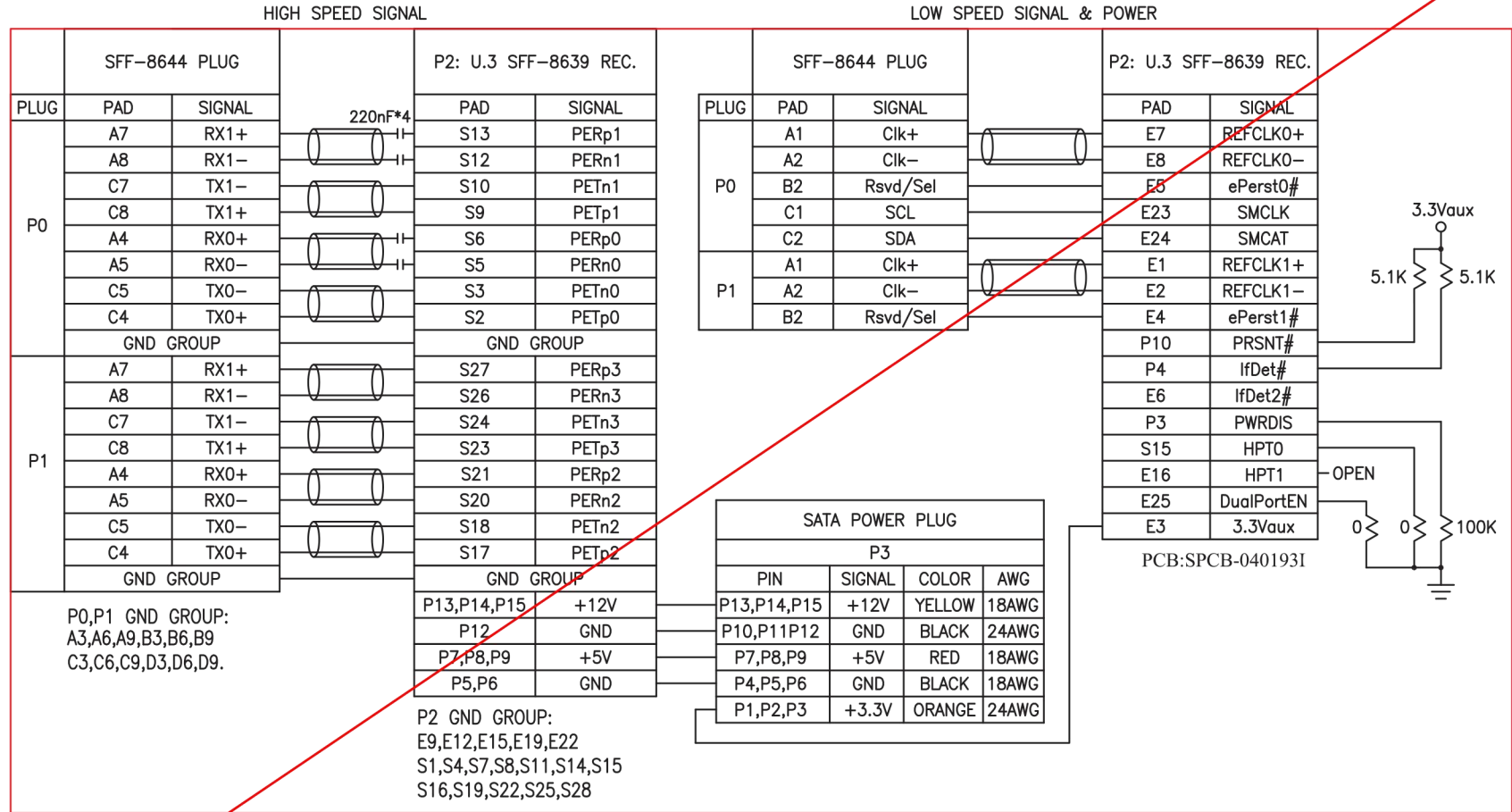
2.CONNECTOR:  
 P3: SATA 15P POWER PLUG  
 (1) POWER CABLE: UL 1007 18AWG\*2 80°C 300V  
 (2) POWER CABLE: UL 1007 24AWG\*2 80°C 300V  
 3.FOR PCIe GEN4 16.0 GT/s USE.



|       |   |              |                       |          |           |       |           |         |            |  |
|-------|---|--------------|-----------------------|----------|-----------|-------|-----------|---------|------------|--|
| DESC. | SFF-8644*2 TO U.3 REC. WITH SATA 15P POWER CABLE ASS'Y-GEN4 | APPROVED     | CHECKED               | DESIGNED | TOLERANCE | SCALE | *         | UNIT    | mm         |  |
| P/N   | B-7218  | CUSTOMER P/N | PCI4-4439U3-HDD-1M-S2 |          | Sino      | DATE  | 10/05/'20 | DWG NO: | DWG\B\7218 |  |

|      |        |      |       |
|------|--------|------|-------|
| REV. | REMARK | DATE | SIGN. |
|      |        |      |       |

WIRING DIAGRAM BY CUSTOMER



\*客製化接點



|       |   |              |                       |          |           |       |           |         |            |  |
|-------|---|--------------|-----------------------|----------|-----------|-------|-----------|---------|------------|--|
| DESC. | SFF-8644*2 TO U.3 REC. WITH SATA 15P POWER CABLE ASS'Y-GEN4 | APPROVED     | CHECKED               | DESIGNED | TOLERANCE | SCALE | *         | UNIT    | mm         |  |
| P/N   | B-7218  | CUSTOMER P/N | PCIA-4439U3-HDD-1M-S2 |          | Sino      | DATE  | 10/05/'20 | DWG NO: | DWG\B\7218 |  |