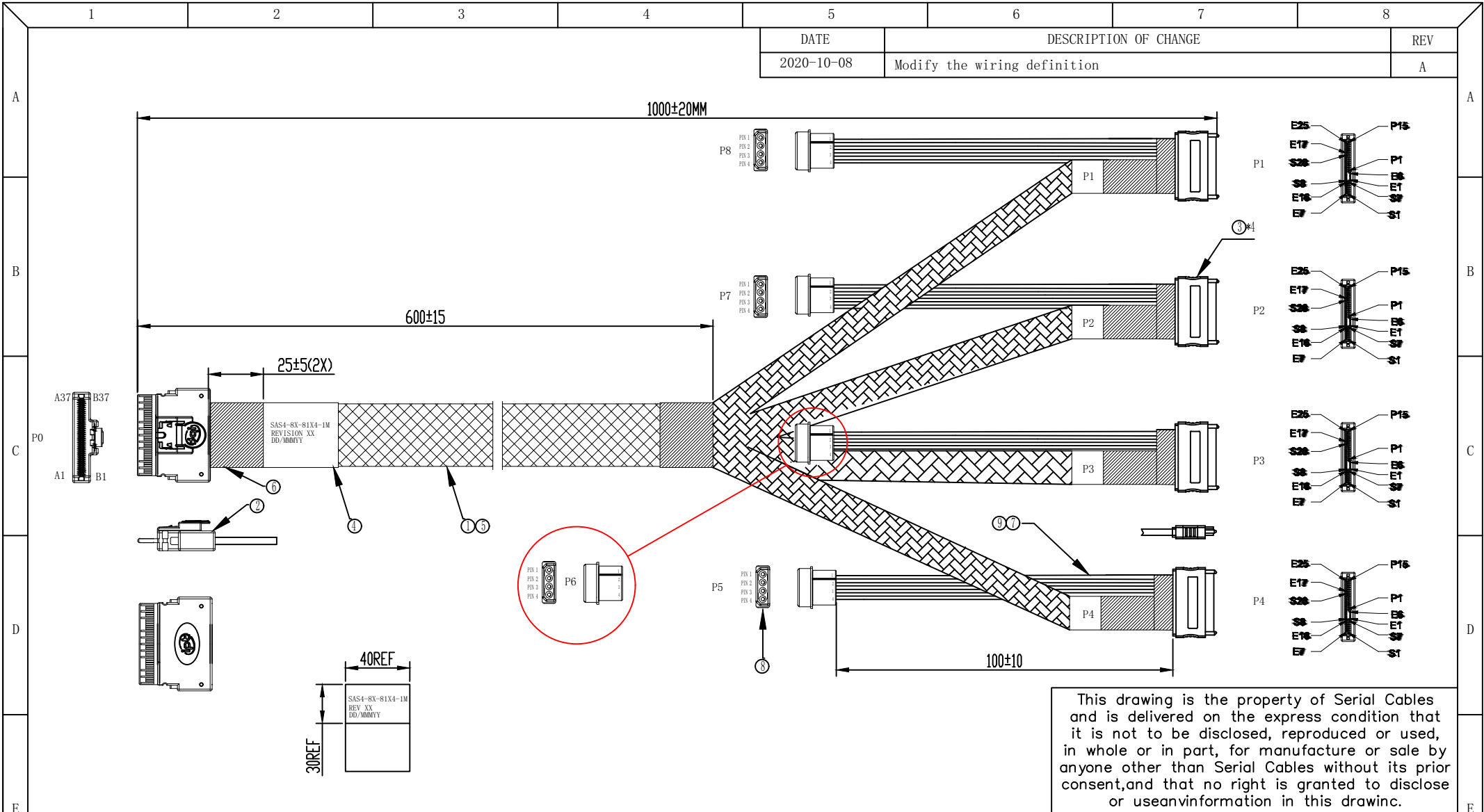


DATE	DESCRIPTION OF CHANGE	REV
2020-10-08	Modify the wiring definition	A



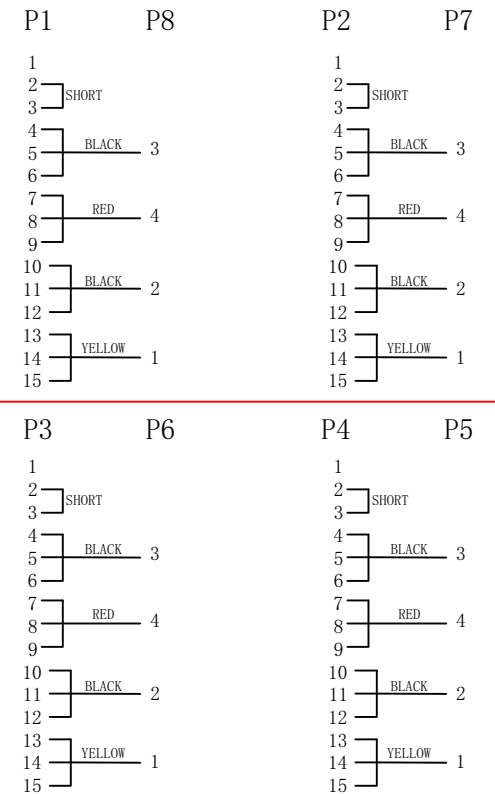
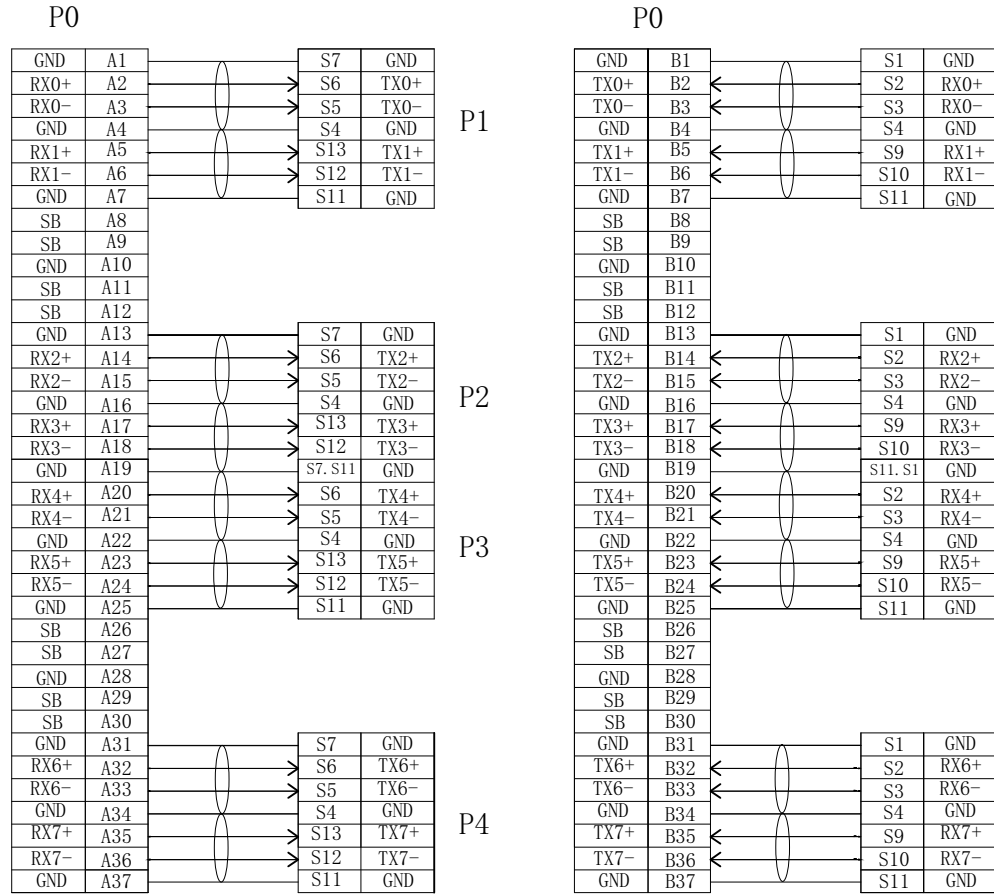
This drawing is the property of Serial Cables and is delivered on the express condition that it is not to be disclosed, reproduced or used, in whole or in part, for manufacture or sale by anyone other than Serial Cables without its prior consent, and that no right is granted to disclose or use information in this drawing.

⑨	WIRE	WIRE 1007 24AWG STRANDED	-	MM	
⑧	Connector	HSG 5.08 4P	4	PCS	
⑦	WIRE	WIRE:UL1007 18AWG 4IC BLK/RED/YEL	-	MM	
⑥	Adhesive tape	IERMLENE CLOTH TAPE, T=0.11mm. BLK.	-	MM	
⑤	Network manager	EXPANDO TUBE: OD=7MM, BLACK, VW-1,	-	MM	
④	CABEL	CABEL :40*30MM	1	PCS	
③	Connector	SFF-8639 PCIE 68POS CONN, STR, BLACK	4	PCS	
②	Connector	SAS FF-8654 STR With shrapnel	1	PCS	
①	CABLE	SAS 30AWG*2C+2D+A+HM PLATED, 92ohm	-	MM	
NO.	NAME	IPT NO.	DESCRIPTION	Q'TY	Q'TY

TITLE	CABLE. SFF-8654 TO 4XSFF-8639-4 1M					SHEET	1/2
CUSTOMER		CUSTOMER P/N	SAS4-8X-81X4-1M	DRAWING	<i>lupeng</i>		
DWG NO.	IPT20200903002	UNIT	SCALE	REV	VIEW	CHECKED	<i>lupeng</i>
IPT P/N	3.0. C548394005	mm	NONE	A1		APPROVAL	

DATE	DESCRIPTION OF CHANGE	REV
2020-10-08	Modify the wiring definition	A

WIRING TABLE



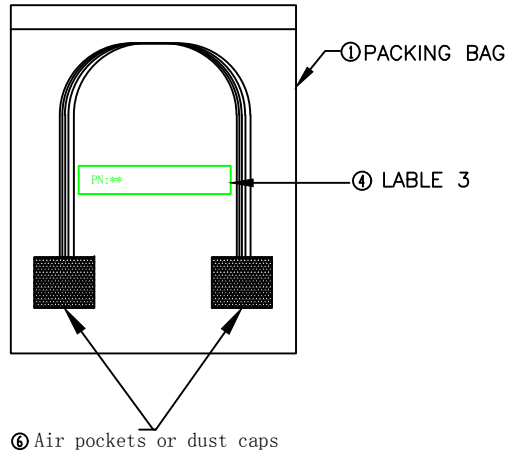
TEST CONDITIONS:  
 1.100% OPEN & SHORT & MISS-WIRING & INTERMITTENCE TEST  
 2.CONDUCTIVE RESISTANCE: 3Ω MAX  
 3.INSULATION RESISTANCE: 10 MΩ  
 4.HI-POT TEST: 300VDC FOR 10ms.  
 5.THIS PRODUCT MEETS SAS 4.0

This drawing is the property of Serial Cables and is delivered on the express condition that it is not to be disclosed, reproduced or used, in whole or in part, for manufacture or sale by anyone other than Serial Cables without its prior consent, and that no right is granted to disclose or use any information in this drawing.

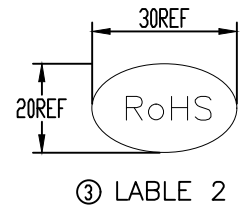
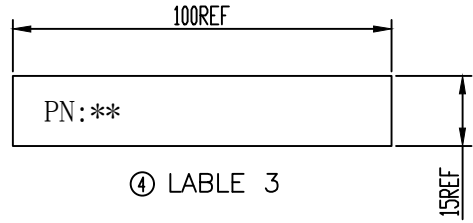
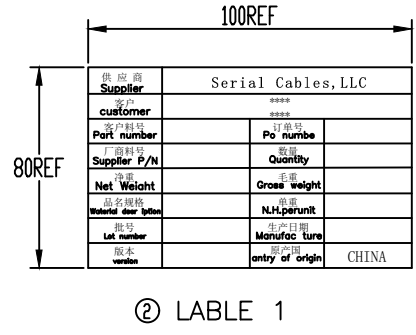
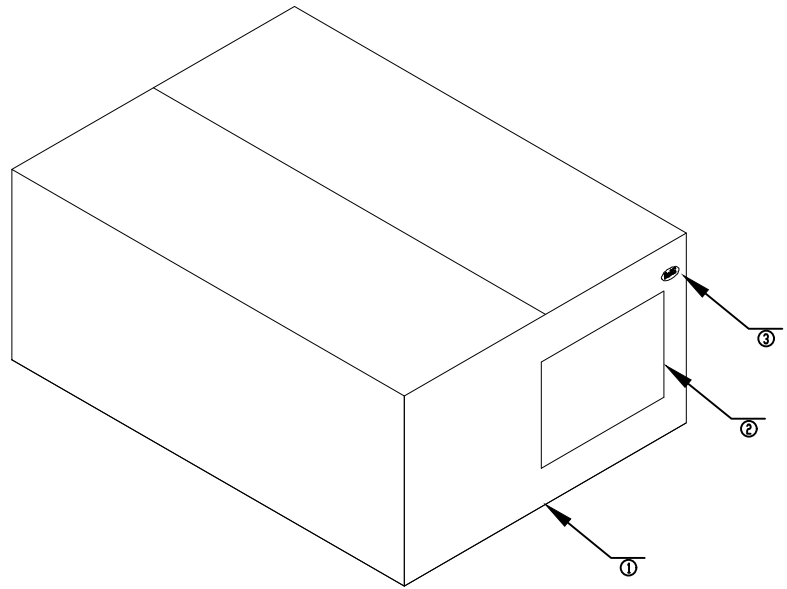
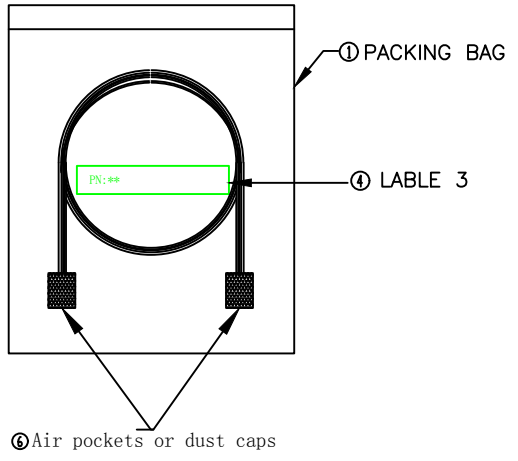
TITLE	CABLE.SFF-8654 TO 4XSFF-8639-4 1M						SHEET	2/2
CUSTOMER			CUSTOMER P/N	SAS4-8X-81X4-1M	DRAWING	<i>lupeng</i>		
DWG NO.	IPT20200903002	UNIT	SCALE	REV	VIEW	CHECKED	<i>lupeng</i>	
IPT P/N	3.0.C548394005	mm	NONE	A1		APPROVAL		

5	6	7	8
DATE	DESCRIPTION OF CHANGE		REV
2020-09-12	XXXXXXXX		A

**BAGGING METHOD 1:**  
★ PACKAGING BELOW 0.5M  
1PE BAGS PER 1PCS



**BAGGING METHOD 2:**  
★ PACKAGING ABOVE 0.5M  
1PE BAGS PER 1PCS



This drawing is the property of Serial Cables and is delivered on the express condition that it is not to be disclosed, reproduced or used, in whole or in part, for manufacture or sale by anyone other than Serial Cables without its prior consent, and that no right is granted to disclose or use any information in this drawing.



TITLE	Packaging specification for SAS (general)					SHEET	1/1
CUSTOMER		CUSTOMER P/N			DRAWING	<i>lupeng</i>	
DWG NO.	IPT202009012001	UNIT	SCALE	REV	VIEW	CHECKED	<i>lupeng</i>
IPT P/N		mm	NONE	A		APPROVAL	

NO.	NAME	IPT NO.	DESCRIPTION	Q'TY	Q'TY
⑥	Protective Cover		Air pockets or dust caps	-	PCS
⑤	PACKING BAG		PACKING BAG 350*250MM	1	PCS
④	LABEL		LABEL:100*15MM (PN:***)	1	PCS
③	LABEL		LABEL:30*20MM Printed Rohs	1	PCS
②	LABEL		LABEL:100*80MM	1	PCS
①	Outer case		460*300*230MM Blank outer box	-	PCS