

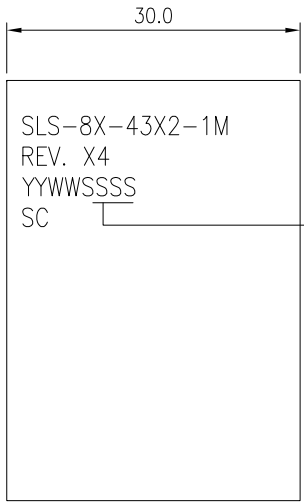
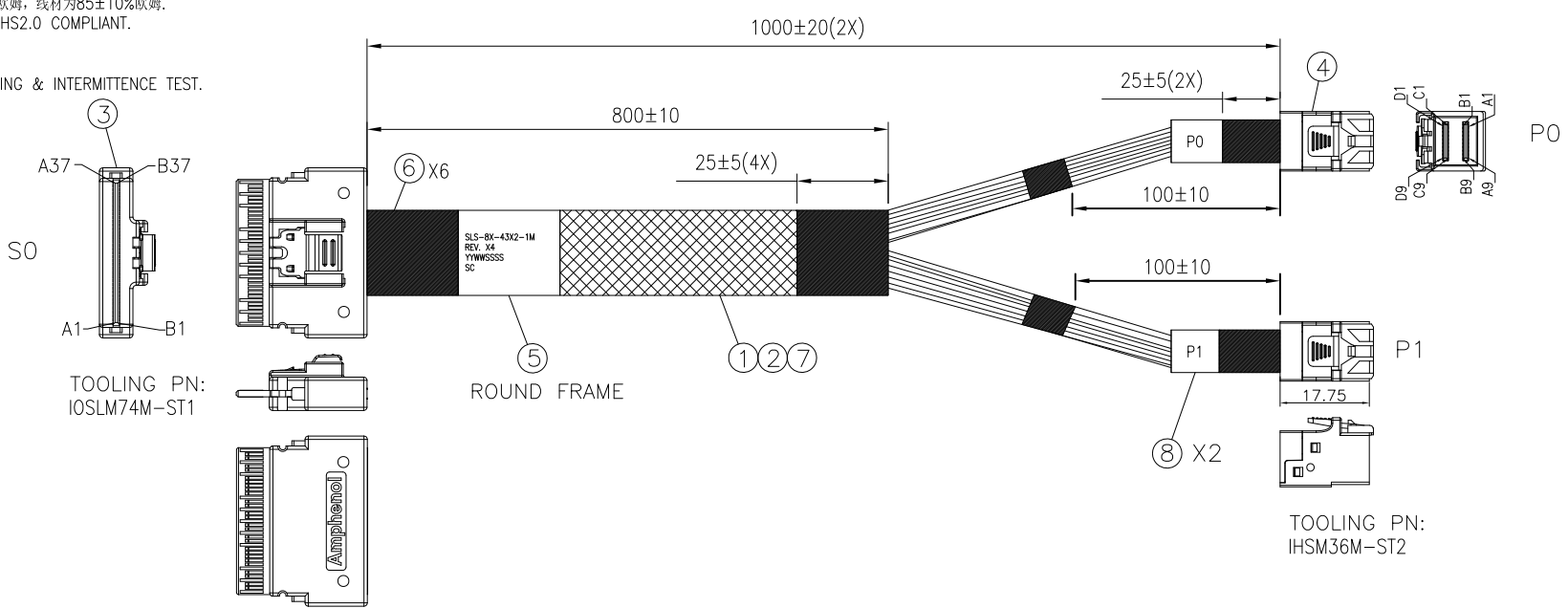
The marking on this product doesn't contain environmental hazardous materials per directive 2011/65/EU for RoHS compliance.

NOTE:

- ELECTRICAL AND MECHANICAL PERFORMANCE SHOULD MEET THE SAS4.0 INDUSTRIAL STARDAND.
电气和机械特性遵循SAS4.0工业标准。
- THE CABLE ASSEMBLY SHALL MEET BELOW IMPEDANCE REQUIREMENT:
TERMINATION AREA: $85 \pm 15\%$ OHMS, CABLE ABSOLUTE AREA: $85 \pm 10\%$ OHMS.
该产品满足下面阻抗特性: 接触区域: $85 \pm 15\%$ 欧姆, 线材为 $85 \pm 10\%$ 欧姆。
- THE CABLE ASSEMBLY SHOULD BE RoHS2.0 COMPLIANT.
该产品通过RoHS2.0认证。
- TEST CONDITIONS:
 - 100% OPEN & SHORT & MISS-WIRING & INTERMITTENCE TEST.
 - CONDUCTIVE RESISTANCE: 3Ω MAX.
 - INSULATION RESISTANCE: 10 M Ω .
 - HI-POT TEST: 300VDC FOR 10ms.

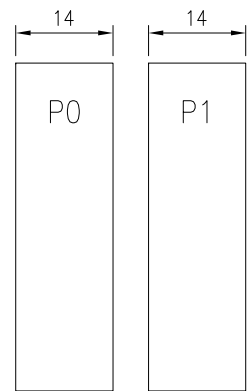
REVISIONS

ECN NO.	REV.	DESCRIPTIONS	CHECKED	APPROVED	DATE
	AX1	INITIAL RELEASE	FIKSK	KASUN	08/19/2019
	AX2	CHANGE WIRE & ADD TAPE	FIKSK	KASUN	08/28/2018
	AX3	CHANGE IMPEDANCE	FIKSK	KASUN	09/19/2018



流水码/16进制

FONT:ARIAL
HEIGHT:2.0mm Min



8	HMLSB14401	LABEL:14*40MM,WHT	2
7	HMTBD07001	EXPANDO TUB:7.0MM,BLK,SINGLE(OD7~25MM),R2,HF	A/R
6	HMMTP00XXX	ACETATE TAPE:HF	A/R
5	HMLSB30701	LABEL:Synthetic Paper,30*70MM,WHT,HF	1
4	AST8643-0036-04	HD MINI SAS 36POS SHORT TYPE	2
3	AST8654-0074-01	SLIMSAS 74P CONNECTOR	1
2	H03302300X	WIRE,30AWG,UL3302, 7/0.10,OD0.55,FR-XLPE,VW-1,NO MARKING,HF	A/R
1	HWSS300076	SAS CBL:UL20744,30#1P+2D,Silver plated,VW-1,850HM,YEL,24G,HF	A/R
ITEM	PART NUMBER	DESCRIPTION	Q'TY

This drawing is the property of Serial Cables and is delivered on the express condition that it is not to be disclosed, reproduced or used, in whole or in part, for manufacture or sale by anyone other than Serial Cables without its prior consent, and that no right is granted to disclose or use any information in this drawing.



TITLE: SC P/N:SLS-8X-43X2-1M SLIMSAS 74P STR TO MINI SAS HD 36P STR *2		
DWG. No.: RSL74-4191-2		
	SCALE: NONE	SHEET 1 OF 3
	UNIT: MM	SIZE: A4
		REV.: AX3

GENERAL TOLERANCES	
.X:	± 0.5
.XX:	± 0.3
.XXX:	± 0.01
ANGULAR:	± 1°

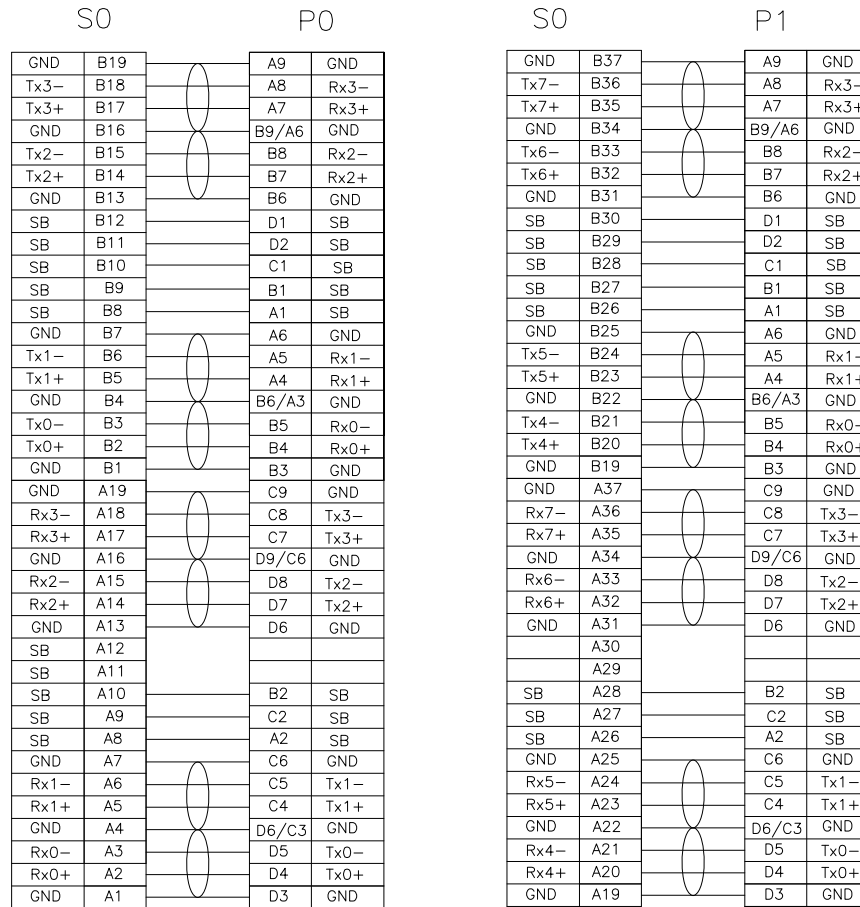
DRAWN: GUILIN QIN	DATE: 09/19/2018
CHECKED: FIKSK ZENG	DATE: 09/19/2018
APPROVED: KASUN LI	DATE: 09/19/2018

The marking on this product doesn't contain environmental hazardous materials per directive 2011/65/EU for RoHS compliance.

REVISIONS

ECN NO.	REV.	DESCRIPTIONS	CHECKED	APPROVED	DATE
	AX1	INITIAL RELEASE	FIKSK	KASUN	08/19/2019
	AX2	CHANGE WIRE & ADD TAPE	FIKSK	KASUN	08/28/2018
	AX3	CHANGE IMPEDANCE	FIKSK	KASUN	09/19/2018

WIRING TABLE



This drawing is the property of Serial Cables and is delivered on the express condition that it is not to be disclosed, reproduced or used, in whole or in part, for manufacture or sale by anyone other than Serial Cables without its prior consent, and that no right is granted to disclose or use any information in this drawing.



GENERAL TOLERANCES	
.X:	± 0.5
.XX:	± 0.3
.XXX:	± 0.01
ANGULAR:	± 1°

DRAWN:	GUILIN QIN	DATE:	09/19/2018
CHECKED:	FIKSK ZENG	DATE:	09/19/2018
APPROVED:	KASUN LI	DATE:	09/19/2018

TITLE: SC P/N:SLS-8X-43X2-1M SLIMSAS 74P STR TO MINI SAS HD 36P STR *2		
DWG. No.: RSL74-4191-2		
	SCALE: NONE	SHEET 2 OF 3
	UNIT: MM	SIZE: A4
REV.: AX3		

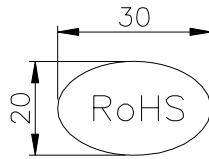
The marking on this product doesn't contain environmental hazardous materials per directive 2011/65/EU for RoHS compliance.

REVISIONS

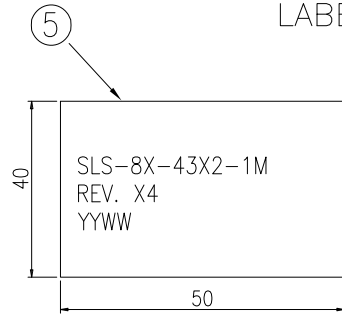
ECN NO.	REV.	DESCRIPTIONS	CHECKED	APPROVED	DATE
	AX1	INITIAL RELEASE	FIKSK	KASUN	08/19/2019
	AX2	CHANGE WIRE & ADD TAPE	FIKSK	KASUN	08/28/2018
	AX3	CHANGE IMPEDANCE	FIKSK	KASUN	09/19/2018

LABEL 2

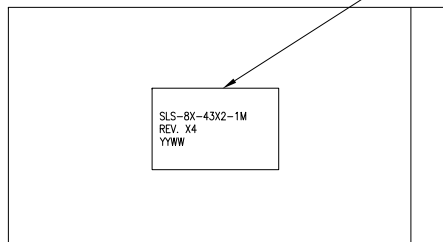
PN: SLS-8X-43X2-1M/RSL74-4191-2



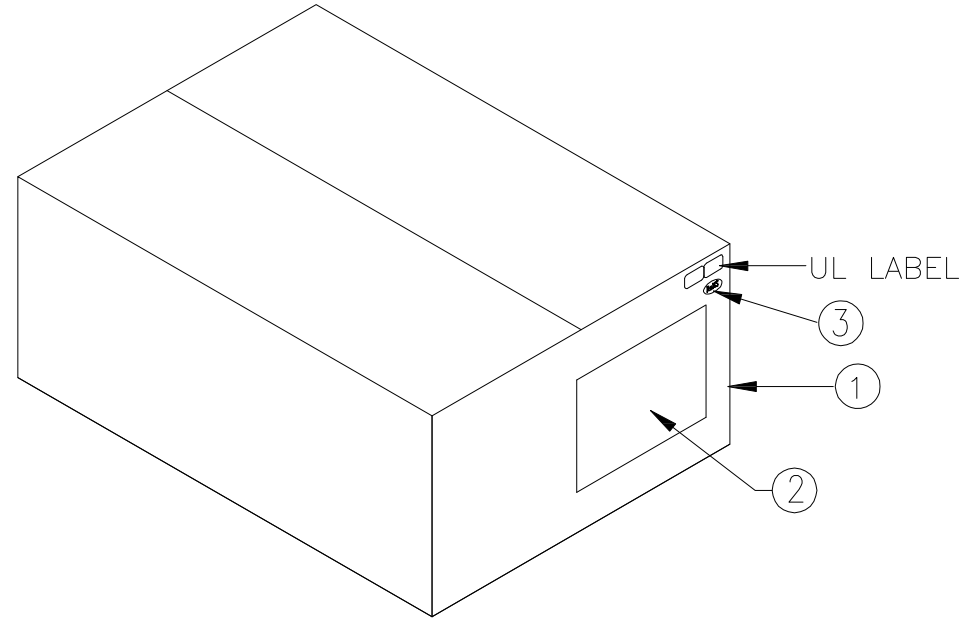
LABEL 3



⑤ The label is stucked in the middle.



④ 1PCS PRODUCTS PUT INTO THE PE BAG



5	HMLSB40501	LABEL:Synthetic Paper,40*50MM,WHT,BLANK,HF	1
4	RMBZIP0018	ZIP BAG:120*300MM,T=6C	1
3	RMLSW30201	RoHS LABEL:30*20MM, LABEL5 INFO	1
2	RMLSB00401	LABEL3:100*40MM,WHT,BLANK,R2	1
1	RMBCTN0019	CARTON:590*240*200MM E TYPE	1
ITEM	PART NUMBER	DESCRIPTION	Q'TY

GENERAL TOLERANCES

.X:	± 0.5
.XX:	± 0.3
.XXX:	± 0.01
ANGULAR:	± 1°

This drawing is the property of Serial Cables and is delivered on the express condition that it is not to be disclosed, reproduced or used, in whole or in part, for manufacture or sale by anyone other than Serial Cables without its prior consent, and that no right is granted to disclose or use any information in this drawing.



TITLE:		
SC P/N:SLS-8X-43X2-1M SLIMSAS 74P STR TO MINI SAS HD 36P STR *2		
DWG. No.: RSL74-4191-2		
	SCALE: NONE	SHEET 3 OF 3
	UNIT: MM	SIZE: A4
	REV.: AX3	