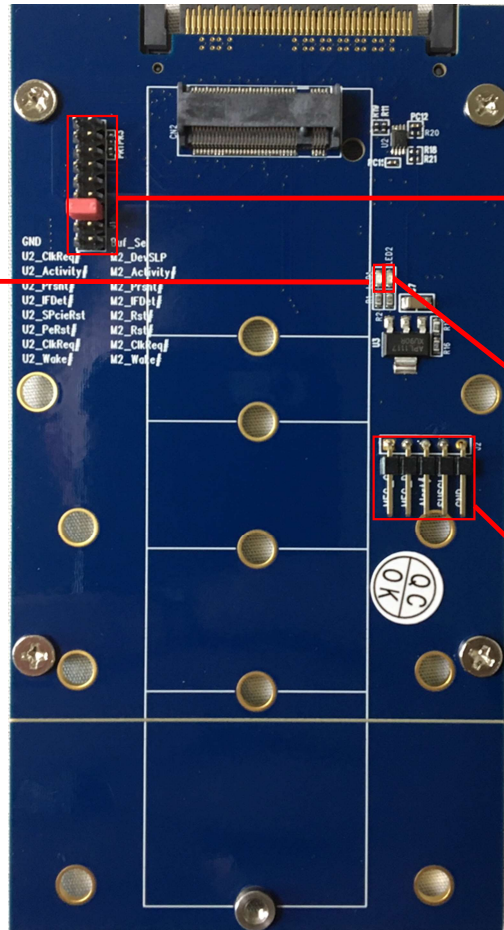


# P/N: PCI-AD-U2M2-04-G4

Jumper on (make BUF\_SEL to GND) to disable the I2C buffer between U2 and M2 SMbus)

**LED1**  
Blue Color  
M.2 drive activity LED



**J1**

GND	BUF_SEL
U2_CLKREQ#	M2_DEVSLP
U2_ACTIVITY#	M2_ACTIVITY#
U2_PRSENT#	M2_PRSENT#
U2_IFDET#	M2_IFDET#
U2_SPCIERST	M2_PERST#
U2_PERST#	M2_PERST#
U2_CLKREQ#	M2_CLKREQ#
U2_WAKE#	M2_WAKE#

**LED2**  
Green Color  
M.2 3.3V power LED

**J2**

MFG_CLOCK	MFG_DATA	ALERT#	SUSCLK	GND
-----------	----------	--------	--------	-----