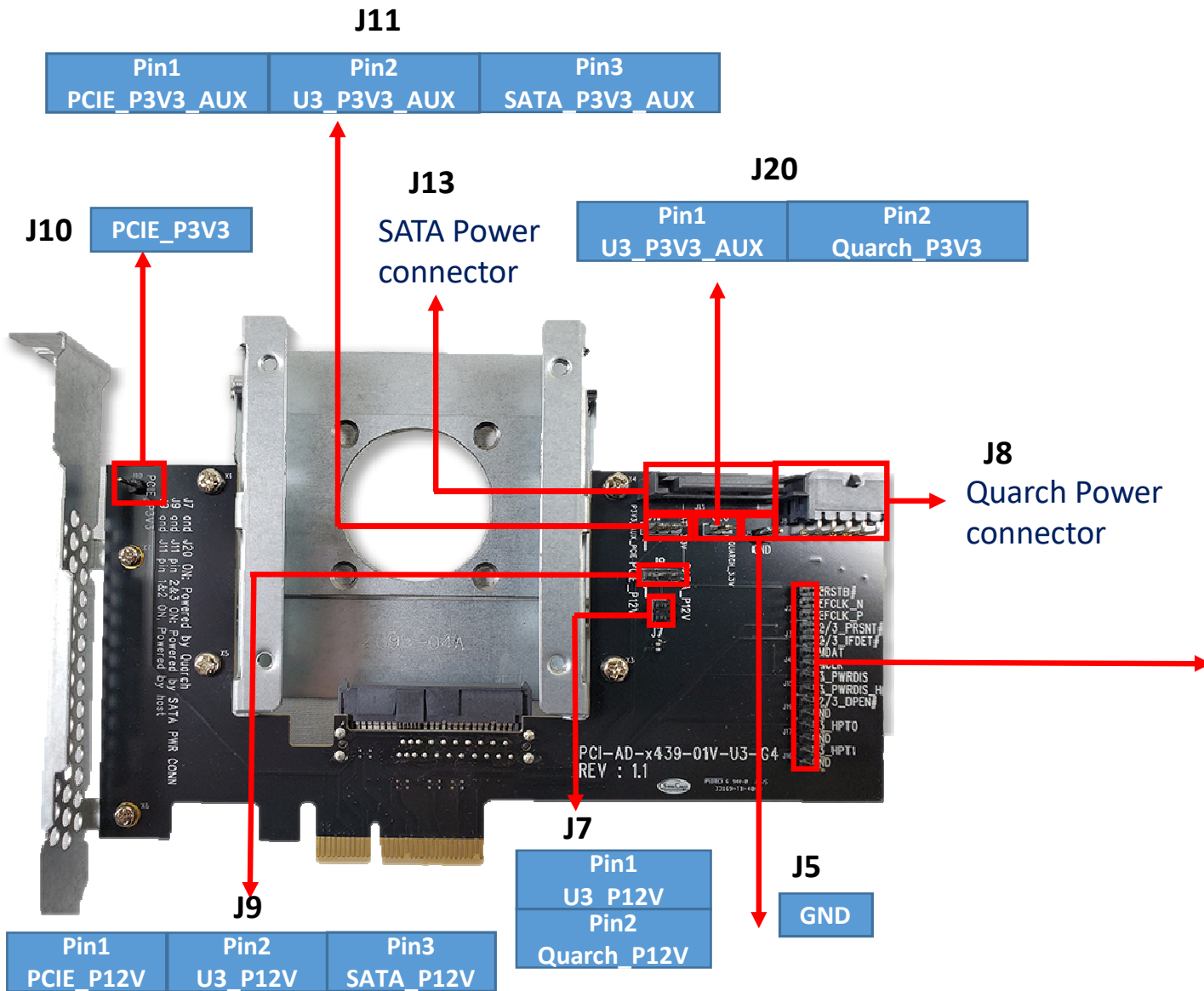


PCIe Gen4 Vertical x4 slot – U.3 adapter

P/N: PCI-AD-X439-01V-U3-G4



J2	PERSTB#	U.3_Pin E4
	REFCLK_N	U.3_Pin E2
	REFCLK_P	U.3_Pin E1
J3	U2/3_PRSENT#	U.3_Pin P10, 3.3V pull up 4.7K
	U2/3_IFDET#	U.3_Pin P4, 3.3V pull up 4.7K
J4	SMDAT	U.3_Pin E24
	SMCLK	U.3_Pin E23
J15	U3_PWRDIS	U.3_Pin P3, pull down 1K
	U3_PWRDIS_H	3.3V pull up 1K
J19	U2/3_DPEN#	U.3_Pin E25
	GND	
J17	U3_HPT0	U.3_Pin S15
	GND	
J16	U3_HPT1#	U.3_Pin E16
	GND	

*J7 and J20 ON: Powered by Quarch

*J9 and J11 pin 2&3 ON: Powered by SATA PWR CONN

*J9 and J11 pin 1&2 ON, Powered by host