

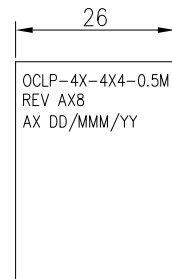
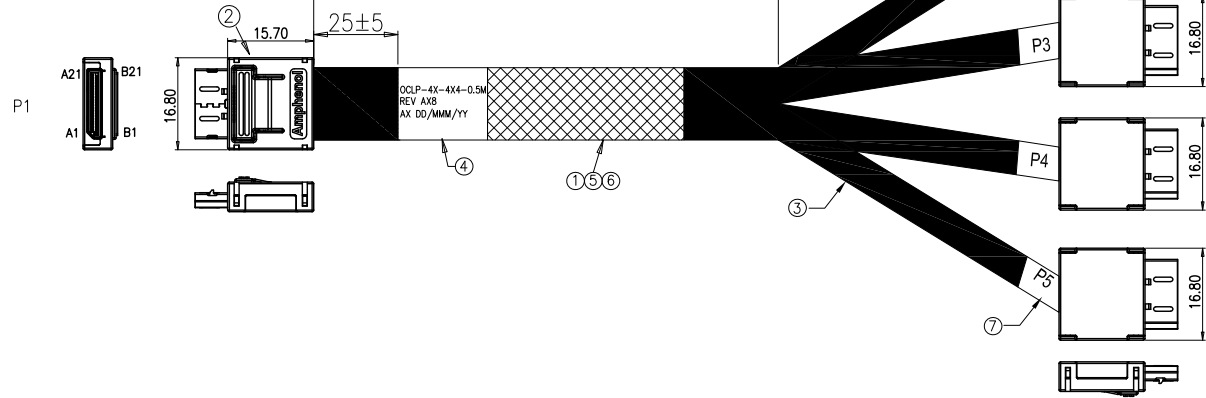
The marking on this product doesn't contain environmental hazardous materials per directive 2011/65/EU for RoHS compliance.

- NOTE:  
 1. THE CABLE ASSEMBLY SHALL BE MEET R&HS2.0 COMPLIANT.  
 该产品通过RoHS2.0认证。  
 2. THE CABLE ASSEMBLY SHALL MEET BELOW IMPEDANCE REQUIREMENT:  
 TERMINATION AREA: 85±15% OHMS, CABLE ABSOLUTE AREA: 85±10% OHMS.  
 该产品满足下面阻抗特性: 接触区域85±15% 欧姆, 线材为85±10% 欧姆。  
 3. ELECTRICAL AND MECHANICAL PERFORMANCE SHOULD MEET THE PCIE Gen3 INDUSTRIAL STANDAND.  
 电气和机械特性遵循PCIE Gen3工业标准。

REVISIONS					
ECN NO.	REV.	DESCRIPTIONS	CHECKED	APPROVED	DATE
	REV.	AX4	HANK	KASUN	07/26/2017
		AX5	HANK	KASUN	07/28/2017
		AX6	HANK	KASUN	08/10/2017
		AX7	JUSTIN	KASUN	09/11/2017
		AX8	JUSTIN	KASUN	02/14/2019

P1			P2			P3			P4			P5		
A1	RESERVED		B2	GROUND		B2	GROUND		B2	GROUND		A12		
A2	GROUND		B3	PETp0		B3	PETp0		B3	PETp0		A13		
A3	PERp0		B4	PETn0		B4	PETn0		B4	PETn0		B2	GROUND	
A4	PERn0		A2	GROUND		A2	GROUND		A3	PERp0		B3	PETp0	
B2	GROUND		A3	PERp0		A3	PERp0		A4	PERn0		B4	PETn0	
B3	PETp0		A4	PERn0		A4	PERn0		A5	GROUND		A2	GROUND	
B4	PETn0		A5	GROUND		A5	GROUND		A9	I2C/SMBUS		A3	PERp0	
A8	GROUND		B9	BP TYPE		B9	BP TYPE		A10	I2C/SMBUS		A4	PERn0	
A9	BP TYPE		B10	CWAKE#		B10	CWAKE#		B11	GND		A5	GROUND	
A10	CWAKE#								B12	RESERVED		A9	I2C/SMBUS	
A11	GND								B13			A10	I2C/SMBUS	
A12	VSP/REFCLK		B12	VSP/REFCLK		B12	VSP/REFCLK					A11		
A13	VSP/REFCLK		B13	VSP/REFCLK		B13	VSP/REFCLK					A12		
A5	GROUND		B2	GROUND		B2	GROUND					A13		
A6	PERp1		B3	PETp0		B3	PETp0					B2	GROUND	
A7	PERn1		B4	PETn0		B4	PETn0					B3	PETp0	
B5	GROUND		A2	GROUND		A2	GROUND					B4	PETn0	
B6	PETp1		A3	PERp0		A3	PERp0					A2	GROUND	
B7	PETn1		A4	PERn0		A4	PERn0					A3	PERp0	
B8	GROUND		A5	GROUND		A5	GROUND					A4	PERn0	
A21	RESERVED											A5	GROUND	
B1	RESERVED													
A14	GROUND													
A15	PERp2													
A16	PERn2													
B14	GROUND													
B15	PETp2													
B16	PETn2													
B17	GROUND													
B9	I2C/SMBUS													
B10	I2C/SMBUS													
B11	GND													
B12														
B13														
A17	GROUND													
A18	PERp3													
A19	PERn3													
A20	GROUND													
B18	PETp3													
B19	PETn3													
B20	GROUND													
B21	RESERVED													

WIRE TABLE



LABEL DETAIL

7	HMLSB07301	LABEL:Synthetic Paper,7*30MM,WHT,HF	4
6	H0330232XX	WIRE,32AWG,UL3302,7/0,08,OD0.45,HF,VW-1,NO MARKING	A/R
5	HMTBD00501	EXPANDO TUBE:OD=5MM,BLACK,VW-1,HF	A/R
4	HMLSB57262	LABEL:57*26MM,BLANK,WHT,R2,HF	1
3	HMMTP00012	ACETATE TAPE:W=1INCH,HF	A/R
2	OCL42-0012	OCulink 4i STR with Active Latch,Black,V0,85ohms	5
1	RWSS320006	SAS CBL:32#2C+2D+AM+HM,OD0.65*1.56,BLU,85Ω,VW-1	A/R
ITEM	P/N	DESCRIPTION	QTY

GENERAL TOLERANCES

.X:	± 0.5
.XX:	± 0.3
.XXX:	±
ANGULAR:	± 1°

This drawing is the property of Serial Cables and is delivered on the express condition that it is not to be disclosed, reproduced or used, in whole or in part, for manufacture or sale by anyone other than Serial Cables without its prior consent, and that no right is granted to disclose or use any information in this drawing.

DRAWN:	NIALL ZHANG	DATE:	02/14/2019
CHECKED:	CARTER CHEN	DATE:	02/14/2019
APPROVED:	KASUN LI	DATE:	02/14/2019



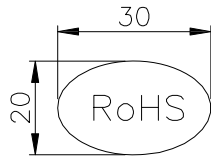
TITLE:		
SC P/N:OCLP-4X-4X4-0.5M OCULINK 4X STR TO STR		
DWG. No.: RML42-0575		
SCALE: NONE	SHEET 1 OF 2	
UNIT: MM	SIZE: A4	REV.: AX8

The marking on this product doesn't contain environmental hazardous materials per directive 2011/65/EU for RoHS compliance.

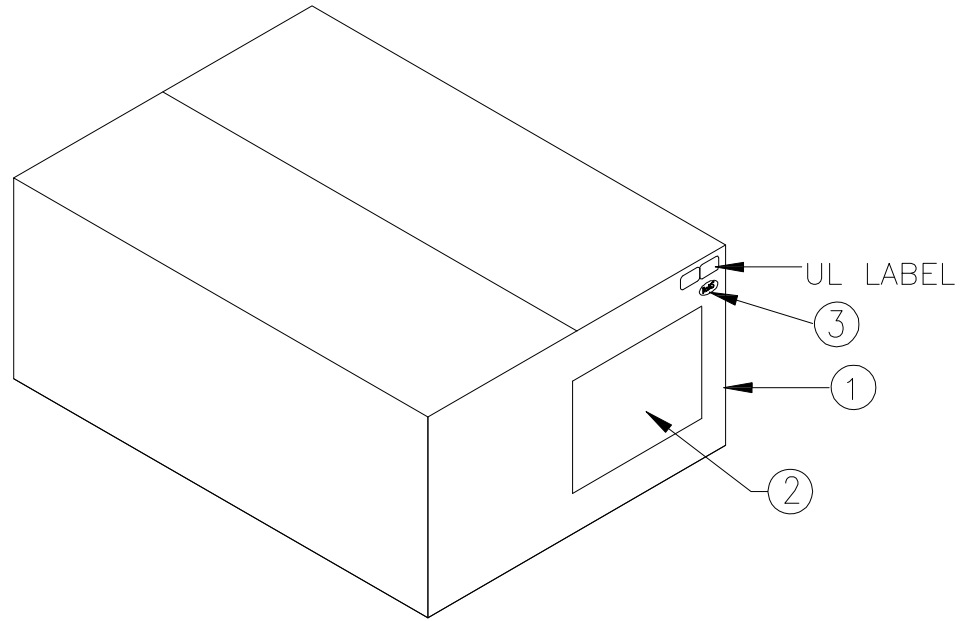
REVISIONS					
ECN NO.	REV.	DESCRIPTIONS	CHECKED	APPROVED	DATE
REL.					

LABEL 2

PN: OCLP-4X-4X4-0.5M/RML42-0575



LABEL 3



3	RMLSW30201	RoHS LABEL:30*20MM, LABEL5 INFO	1
2	HMLSB00401	LABEL3:100*40MM,WHT,BLANK,R2	1
1	RMBCTN0019	CARTON:590*240*200MM E TYPE	1
ITEM	PART NUMBER	DESCRIPTION	Q'TY

GENERAL TOLERANCES

.X:	± 0.5
.XX:	± 0.3
.XXX:	±
ANGULAR:	± 1°

This drawing is the property of Serial Cables and is delivered on the express condition that it is not to be disclosed, reproduced or used, in whole or in part, for manufacture or sale by anyone other than Serial Cables without its prior consent, and that no right is granted to disclose or use any information in this drawing.



DRAWN:	NIALL ZHANG	DATE:	02/14/2019
CHECKED:	CARTER CHEN	DATE:	02/14/2019
APPROVED:	KASUN LI	DATE:	02/14/2019

TITLE:		
SC P/N:OCLP-4X-4X4-0.5M OCULINK 4X STR TO STR		
DWG. No.: RML42-0575		
	SCALE: NONE	SHEET 2 OF 2
	UNIT: MM	SIZE: A4
	REV.: AX8	