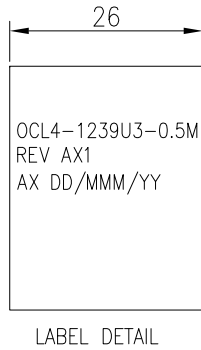
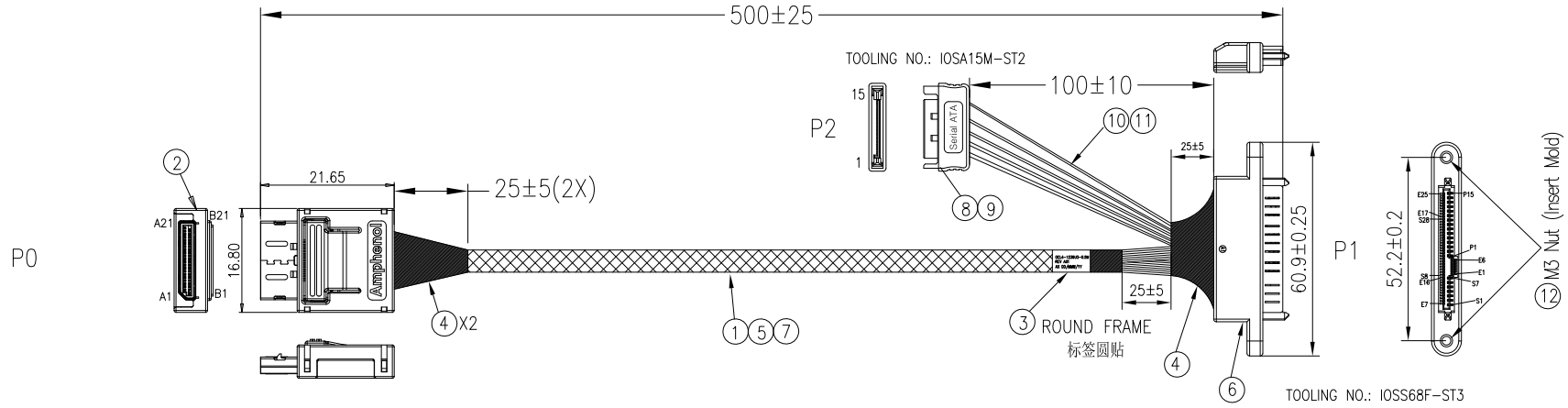


The marking on this product doesn't contain environmental hazardous materials per directive 2011/65/EU for RoHS compliance.

REVISIONS					
ECN NO.	REV.	DESCRIPTIONS	CHECKED	APPROVED	DATE
REL.	AX1	INITIAL RELEASE	CARTER	KASUN	01/07/2018

NOTE:

1. THE CABLE ASSEMBLY SHOULD BE RoHS2.0 COMPLIANT.
该产品通过RoHS2.0认证。
2. ELECTRICAL AND MECHANICAL PERFORMANCE SHOULD MEET THE PCIE GEN4 INDUSTRIAL STANDARD.
电气特性遵循PCIE GEN4工业标准。
3. THE CABLE ASSEMBLY SHALL MEET BELOW IMPEDANCE REQUIREMENT:
TERMINATION AREA: 85±15% OHMS, CABLE ABSOLUTE AREA: 85±10% OHMS.
该产品满足下面阻抗特性: 接触区域85±15%欧姆, 线材为85±10%欧姆。



12	RMHNUT0032	NUT:STEEL 1215,Ni-plated,M3*0.5,HEX,L=2.3MM,R2	2
11	R10070240X	WIRE,24AWG,UL1007,STRAND ED	A/R
10	R10070180X	WIRE:18AWG,41C,UL1007	A/R
9	RMRPV45101	PVC,45P,V1,BLACK	A/R
8	10115M02	SATA CONN:15P,M,BRS,G/F,LCP,V0,BLK	1
7	H03302300X	WIRE,30AWG,UL3302, 7/0.10,OD0.55,FR-XLPE,VW-1,NO MARKING,HF	A/R
6	AST8639-001	8639 PCIE 68POS CONN,STR,BLACK,Au15u"	1
5	HMTBD05005	EXPANDO TUB:OD=5MM,PET,GREEN,SINGLE(OD5~11MM),HF	A/R
4	HMMTP00012	ACETATE TAPE:W=1INCH,HF	A/R
3	HMLS57262	LABEL:57*26MM,BLANK	1
2	OCL42-0012	MiniLink, 42POS,CONNECTOR,STR,WITH ACTIVE LATCH	1
1	HWSS320020	SAS CBL:UL20744,32#2C+2C+A+HM,BLU,85Q,VW-1,HF,24G	A/R
ITEM	VENDOR P/N	DESCRIPTION	QTY

This drawing is the property of Serial Cables and is delivered on the express condition that it is not to be disclosed, reproduced or used, in whole or in part, for manufacture or sale by anyone other than Serial Cables without its prior consent, and that no right is granted to disclose or use any information in this drawing.



GENERAL TOLERANCES	
.X:	± 0.5
.XX:	± 0.3
.XXX:	
ANGULAR:	± 2'

DRAWN:	LESLIE HU	DATE:	01/07/2019
CHECKED:	CARTER CHEN	DATE:	01/07/2019
APPROVED:	KASUN LI	DATE:	01/07/2019

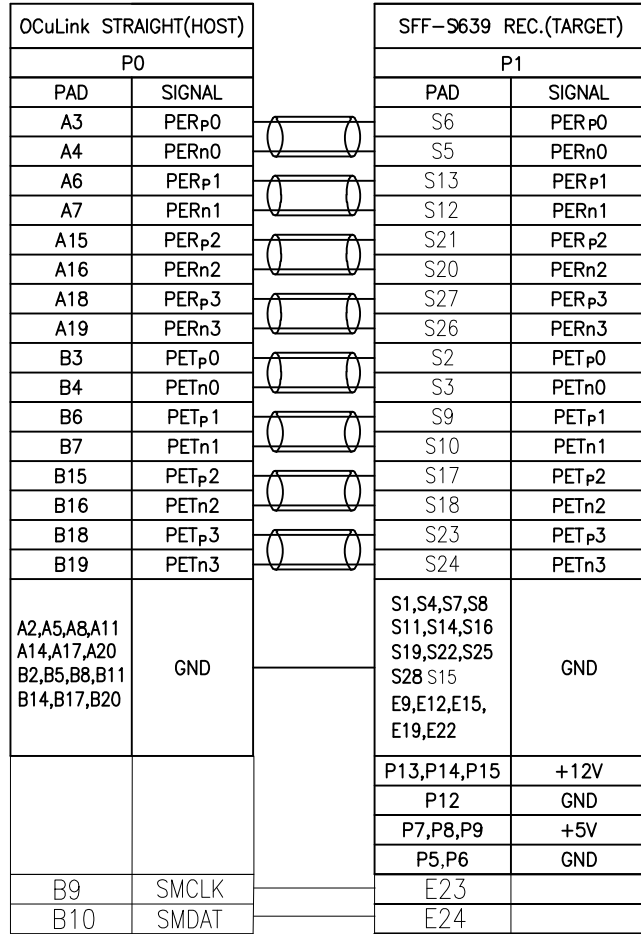
TITLE:		
SC P/N:OCL4-1239U3-0.5M OCULINK TO 8639+SATA 15P		
DWG. No.: RML42-1158		
SCALE: NONE	SHEET 1 OF 3	
UNIT: MM	SIZE: A4	REV.: AX1

The marking on this product doesn't contain environmental hazardous materials per directive 2011/65/EU for RoHS compliance.

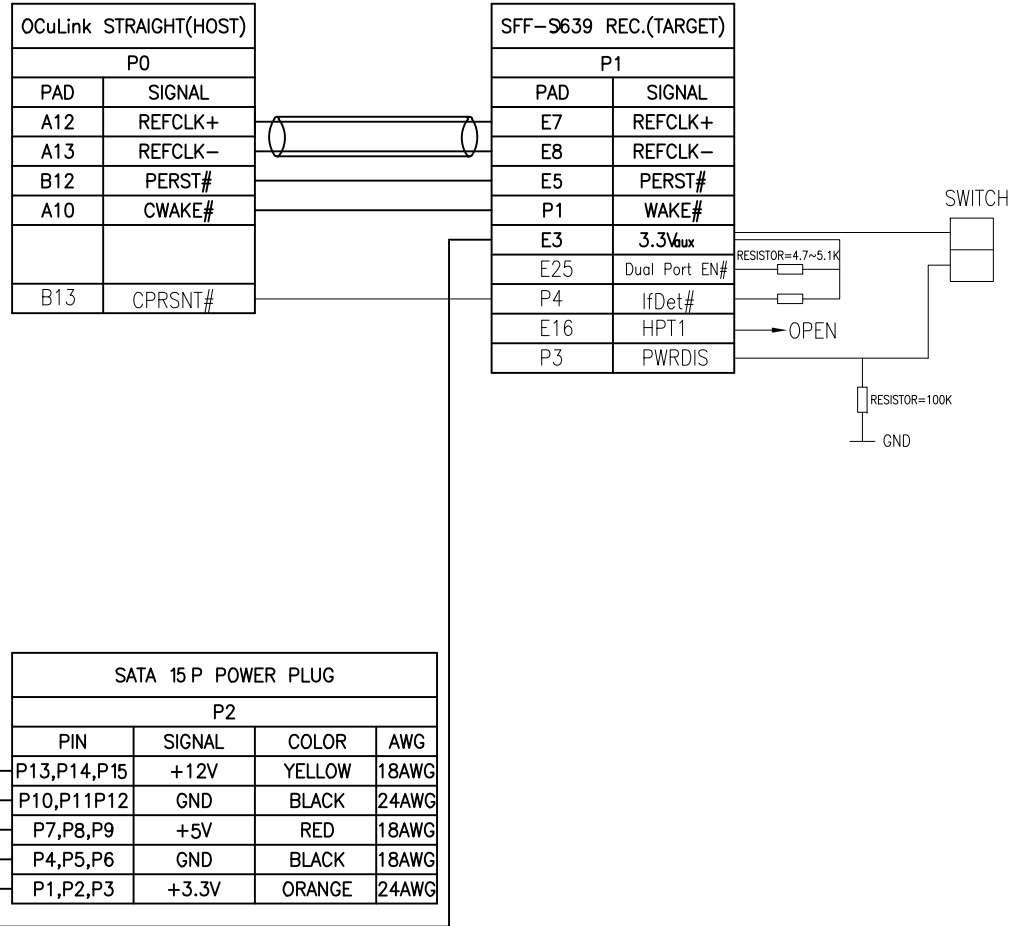
REVISIONS					
ECN NO.	REV.	DESCRIPTIONS	CHECKED	APPROVED	DATE
REL.	AX1	INITIAL RELEASE	CARTER	KASUN	01/07/2018

WIRING DIAGRAM

HIGH SPEED SIGNAL



LOW SPEED SIGNAL & POWER



This drawing is the property of Serial Cables and is delivered on the express condition that it is not to be disclosed, reproduced or used, in whole or in part, for manufacture or sale by anyone other than Serial Cables without its prior consent, and that no right is granted to disclose or use any information in this drawing.



GENERAL TOLERANCES	
.X:	± 0.5
.XX:	± 0.3
.XXX:	
ANGULAR:	± 2'

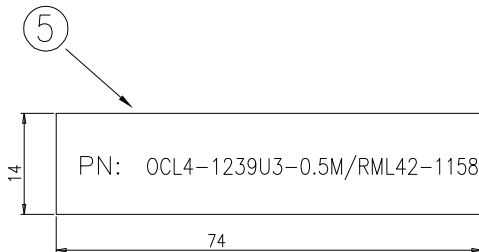
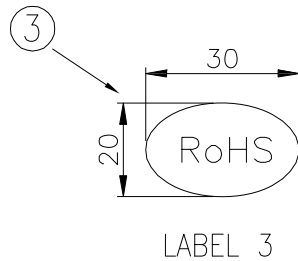
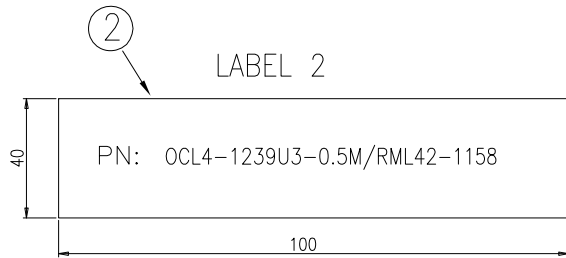
DRAWN:	LESLIE HU	DATE:	01/07/2019
CHECKED:	CARTER CHEN	DATE:	01/07/2019
APPROVED:	KASUN LI	DATE:	01/07/2019

TITLE:		SC P/N:OCL4-1239U3-0.5M OCULINK TO 8639+SATA 15P	
DWG. No.:		RML42-1158	
SCALE:		NONE	
UNIT:		MM	
SIZE:		A4	
SHEET		2 OF 3	
REV.:		AX1	

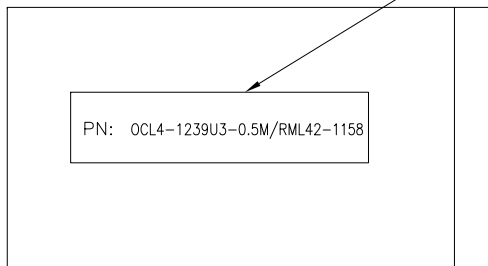
The marking on this product doesn't contain environmental hazardous, materials per directive 2011/65/EU for RoHS compliant.

REVISIONS

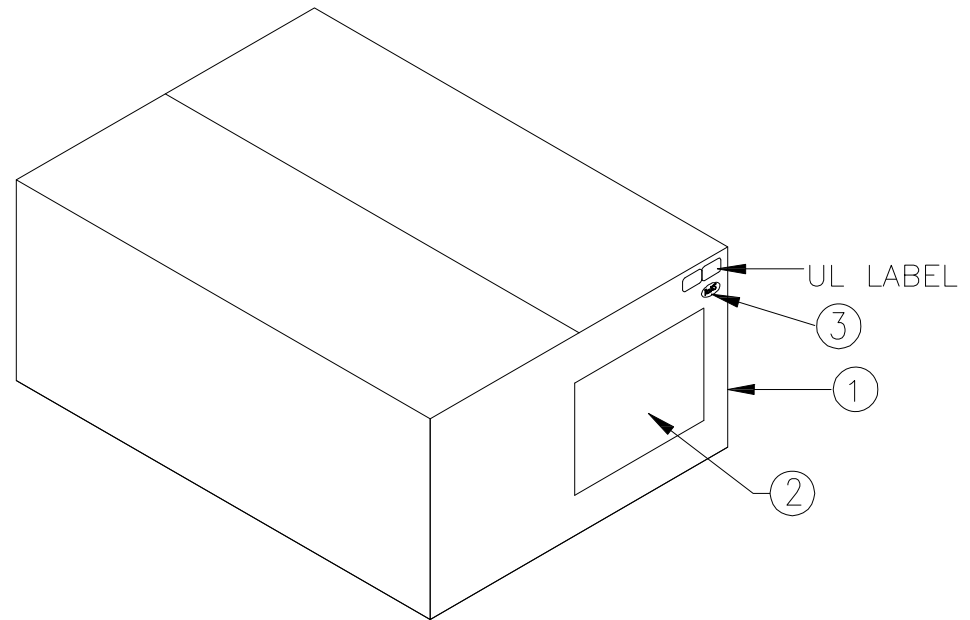
ECN NO.	REV.	DESCRIPTIONS	CHECKED	APPROVED	DATE
REL.	AX1	INITIAL RELEASE	CARTER	KASUN	01/07/2018



⑤ The label is stuck in the middle.



④ 1PCS PRODUCTS PUT INTO THE PE BAG



5	HMLSB14741	LABEL:Synthetic Paper,14*74MM,WHT,HF	1
4	RMBZIP0018	ZIP BAG:120*300MM,T=6C	1
3	RMLSW30201	RoHS LABEL:30*20MM, LABEL5 INFO	1
2	HMLSB00401	LABEL:SyntheticPaper,100*40MM,WHT,BLANK,HF	1
1	RMBCTN0019	CARTON:590*240*200MM E TYPE	1
ITEM	PART NUMBER	DESCRIPTION	Q'TY

This drawing is the property of Serial Cables and is delivered on the express condition that it is not to be disclosed, reproduced or used, in whole or in part, for manufacture or sale by anyone other than Serial Cables without its prior consent, and that no right is granted to disclose or use any information in this drawing.



GENERAL TOLERANCES	
.X:	± 0.5
.XX:	± 0.3
.XXX:	
ANGULAR:	

DRAWN:	LESLIE HU	DATE:	01/07/2019
CHECKED:	CARTER CHEN	DATE:	01/07/2019
APPROVED:	KASUN LI	DATE:	01/07/2019

TITLE:	
SC P/N:OCL4-1239U3-0.5M OCULINK TO 8639+SATA 15P	
DWG. No.: RML42-1158	
SCALE: NONE	SHEET 3 OF 3
UNIT: MM	REV.: AX1

