

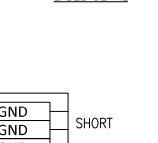
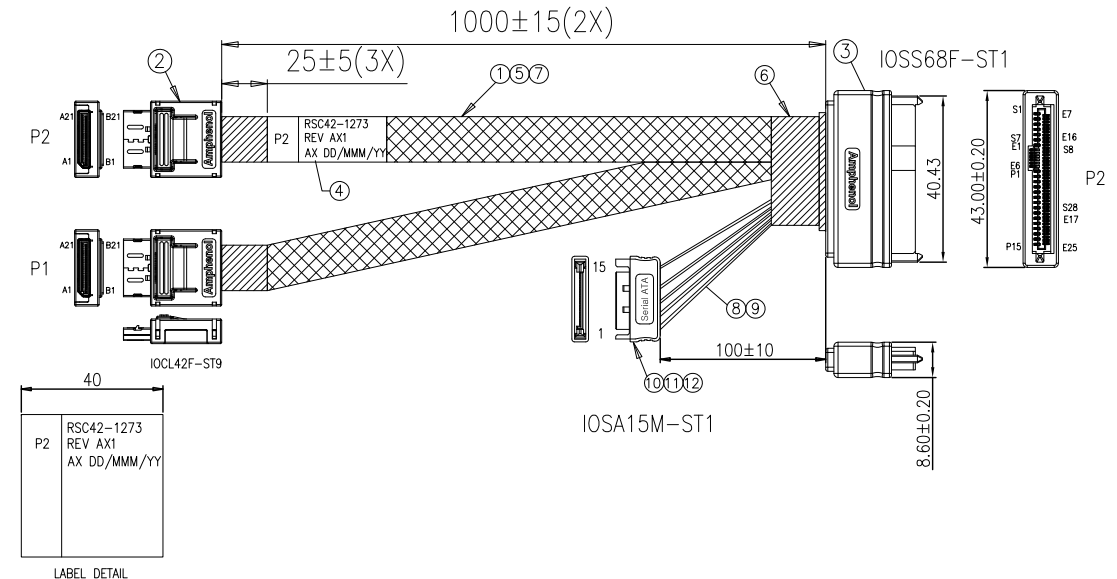
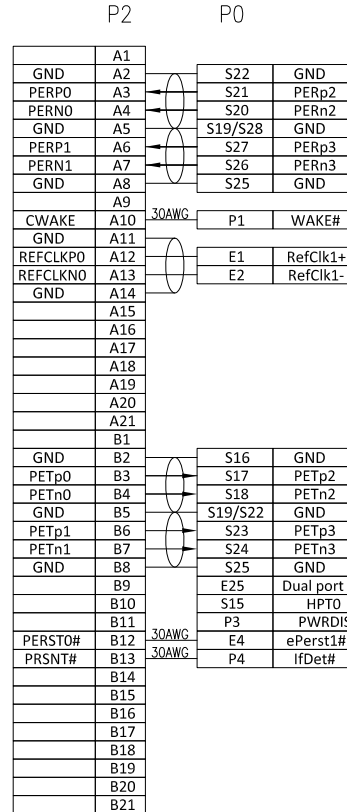
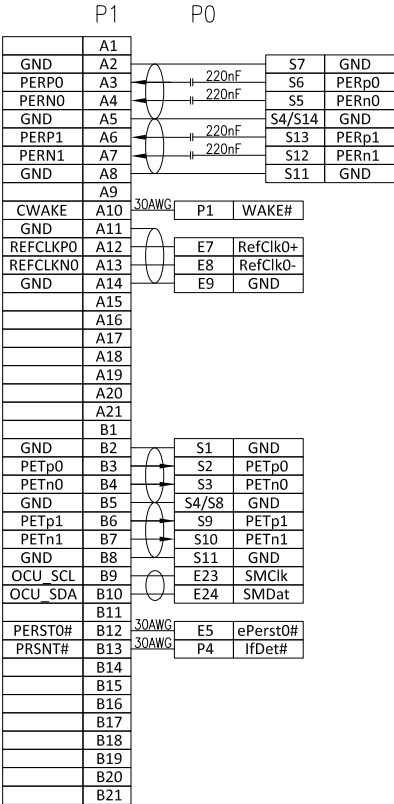
The marking on this product doesn't contain environmental hazardous materials per directive 2011/65/EU for RoHS compliance.

REVISIONS

ECN NO.	REV.	DESCRIPTIONS	CHECKED	APPROVED	DATE
REV.	AX1	INITIAL RELEASE	FSK	KASUN	08/14/2019

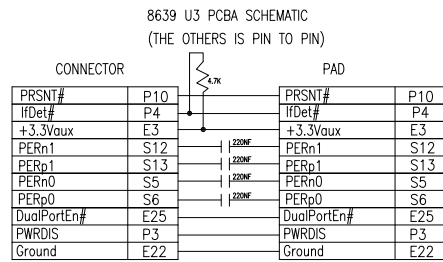
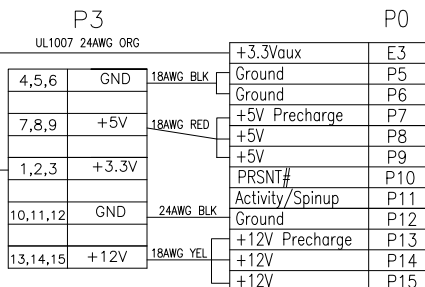
NOTE:

- THE CABLE ASSEMBLY SHALL BE MEET RoHS2.0 COMPLIANT.
该产品通过RoHS2.0认证。
- THE CABLE ASSEMBLY SHALL MEET BELOW IMPEDANCE REQUIREMENT:
TERMINATION AREA: 85±15% OHMS, CABLE ABSOLUTE AREA: 85±10% OHMS.
该产品满足下面阻抗特性: 接触区域85±15% 欧姆, 线材为85±10% 欧姆。
- ELECTRICAL PERFORMANCE SHOULD MEET THE PCIE GEN4 CABLE SPEC,
电气特性遵循PCIE GEN4规范。



SHORT

12	HMRPE45NT1	PE:LOW DENSITY,CLEAR,HF	A/R
11	RMRPV45101	PVC,45P,V1,BLACK	A/R
10	10115M02	SATA CONN:15P,M,BRS,G/F,LCP,V0,BLK	1
9	R10070180X	WIRE:18AWG,41C,UL1007	A/R
8	R10070240X	WIRE,24AWG,UL1007,11/0.16,OD1.4,VW-1,AST logo,R2	A/R
7	H03302300X	WIRE,30AWG,UL3302, 7/0.10,OD0.55,FR-XLPE,VW-1,NO MARKING,HF	A/R
6	HMMTP000XX	TAPE:ACETATE CLOTH INSULATION,BLK,HF	A/R
5	HMTBD00501	EXPANDO TUBE:OD=5MM,BLACK,VW-1,HF	A/R
4	HMLSB40501	LABEL:Synthetic Paper,40*50MM,WHT,BLANK,HF	1
3	AST8639-001	PCIE 68POS CONN,STR,BLACK,Au15u",85ohms,T-HEPCBA0478	1
2	OCL42-0012	OCulink 4i STR with Active Latch,Black,V0,85ohms	2
1	HWSS300133	SAS CBL:UL20744,30#2C+2D+A+HM,Silvered,85ohm,PP,BLU,VW-1,24G,HF	A/R
ITEM	P/N	DESCRIPTION	QTY



GENERAL TOLERANCES

.X:	± 0.5
.XX:	± 0.3
.XXX:	± 0.01
ANGULAR:	± 1'

This drawing is the property of Serial Cables and is delivered on the express condition that it is not to be disclosed, reproduced or used, in whole or in part, for manufacture or sale by anyone other than Serial Cables without its prior consent, and that no right is granted to disclose or use any information in this drawing.

DRAWN:	NIALL ZHANG	DATE:	08/14/2019
CHECKED:	FSK ZENG	DATE:	08/14/2019
APPROVED:	KASUN LI	DATE:	08/14/2019



TITLE: OCULINK 4X STR *2 TO 8639 U.3

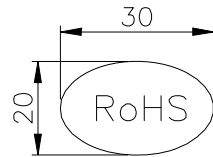
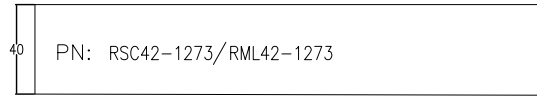
DWG. No.: RML42-1273

SCALE:	NONE	SHEET	1 OF 2
UNIT:	MM	SIZE:	A4
REV.:	AX1		

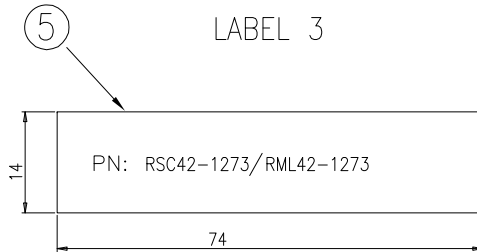
The marking on this product doesn't contain environmental hazardous materials per directive 2011/65/EU for RoHS compliance.

ECN NO.	REV.	DESCRIPTIONS	CHECKED	APPROVED	DATE
REV.	AX1	INITIAL RELEASE	FIKSK	KASUN	08/14/2019

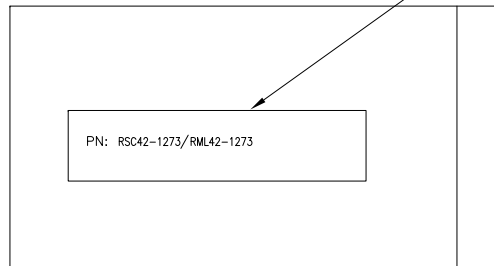
LABEL 2



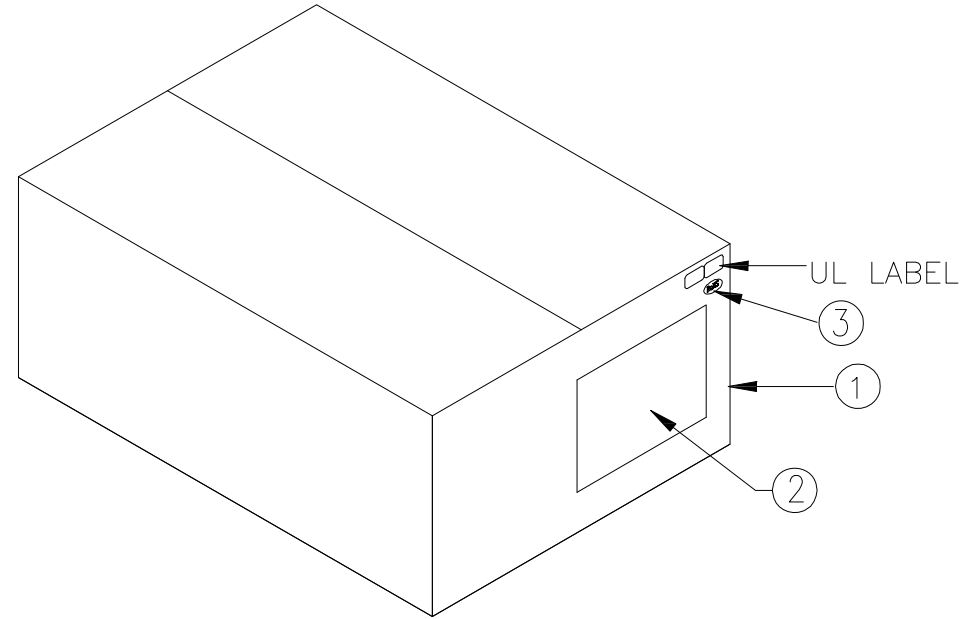
LABEL 3



⑤ The label is stucked in the middle.



④ 1PCS PRODUCTS PUT INTO PE BAG



5	HMLSB14741	LABEL:Synthetic Paper,14*74MM,WHT,HF	1
4	RMBZIP0018	ZIP BAG:120*300MM,T=6C	1
3	RMLSW30201	RoHS LABEL:30*20MM, LABEL5 INFO	1
2	RMLSB00401	LABEL3:100*40MM,WHT,BLANK,R2	1
1	RMBCTN0019	CARTON:590*240*200MM E TYPE	1
ITEM	PART NUMBER	DESCRIPTION	Q'TY

This drawing is the property of Serial Cables and is delivered on the express condition that it is not to be disclosed, reproduced or used, in whole or in part, for manufacture or sale by anyone other than Serial Cables without its prior consent, and that no right is granted to disclose or use any information in this drawing.



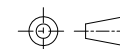
TITLE:
OCULINK 4X STR *2 TO 8639 U.3

DWG. No.: RML42-1273

GENERAL TOLERANCES

.X:	± 0.5
.XX:	± 0.3
.XXX:	±
ANGULAR:	±

DRAWN:	NIALL ZHANG	DATE:	08/14/2019
CHECKED:	FIKSK ZENG	DATE:	08/14/2019
APPROVED:	KASUN LI	DATE:	08/14/2019



SCALE: NONE

SHEET 2 OF 2

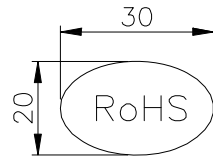
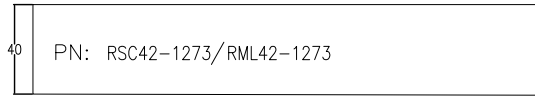
UNIT: MM

REV.: AX1

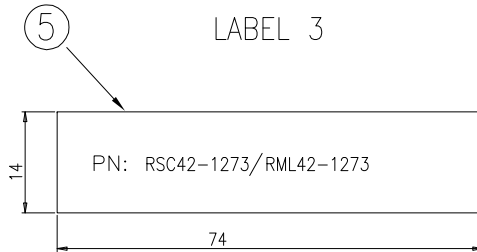
The marking on this product doesn't contain environmental hazardous materials per directive 2011/65/EU for RoHS compliance.

ECN NO.	REV.	DESCRIPTIONS	CHECKED	APPROVED	DATE
REV.	AX1	INITIAL RELEASE	FIKSK	KASUN	08/14/2019

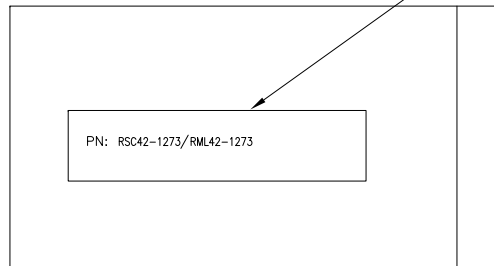
LABEL 2



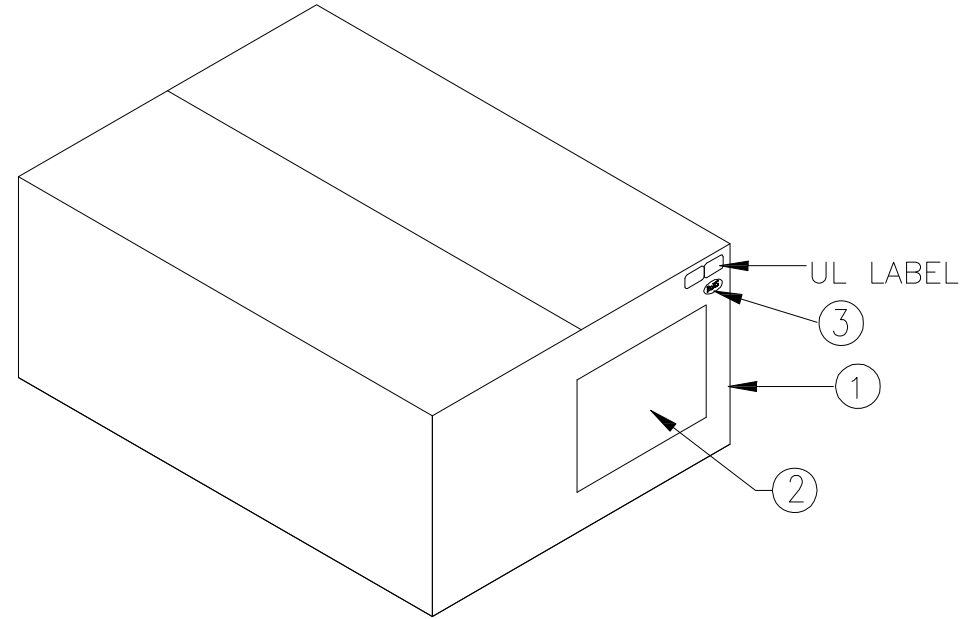
LABEL 3



⑤ The label is stucked in the middle.



④ 1PCS PRODUCTS PUT INTO PE BAG



5	HMLSB14741	LABEL:Synthetic Paper,14*74MM,WHT,HF	1
4	RMBZIP0018	ZIP BAG:120*300MM,T=6C	1
3	RMLSW30201	RoHS LABEL:30*20MM, LABEL5 INFO	1
2	RMLSB00401	LABEL3:100*40MM,WHT,BLANK,R2	1
1	RMBCTN0019	CARTON:590*240*200MM E TYPE	1
ITEM	PART NUMBER	DESCRIPTION	Q'TY

This drawing is the property of Serial Cables and is delivered on the express condition that it is not to be disclosed, reproduced or used, in whole or in part, for manufacture or sale by anyone other than Serial Cables without its prior consent, and that no right is granted to disclose or use any information in this drawing.



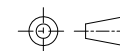
TITLE:
OCULINK 4X STR *2 TO 8639 U.3

DWG. No.: RML42-1273

GENERAL TOLERANCES

.X:	± 0.5
.XX:	± 0.3
.XXX:	±
ANGULAR:	±

DRAWN:	NIALL ZHANG	DATE:	08/14/2019
CHECKED:	FIKSK ZENG	DATE:	08/14/2019
APPROVED:	KASUN LI	DATE:	08/14/2019



SCALE: NONE

SHEET 2 OF 2

UNIT: MM

REV.: AX1