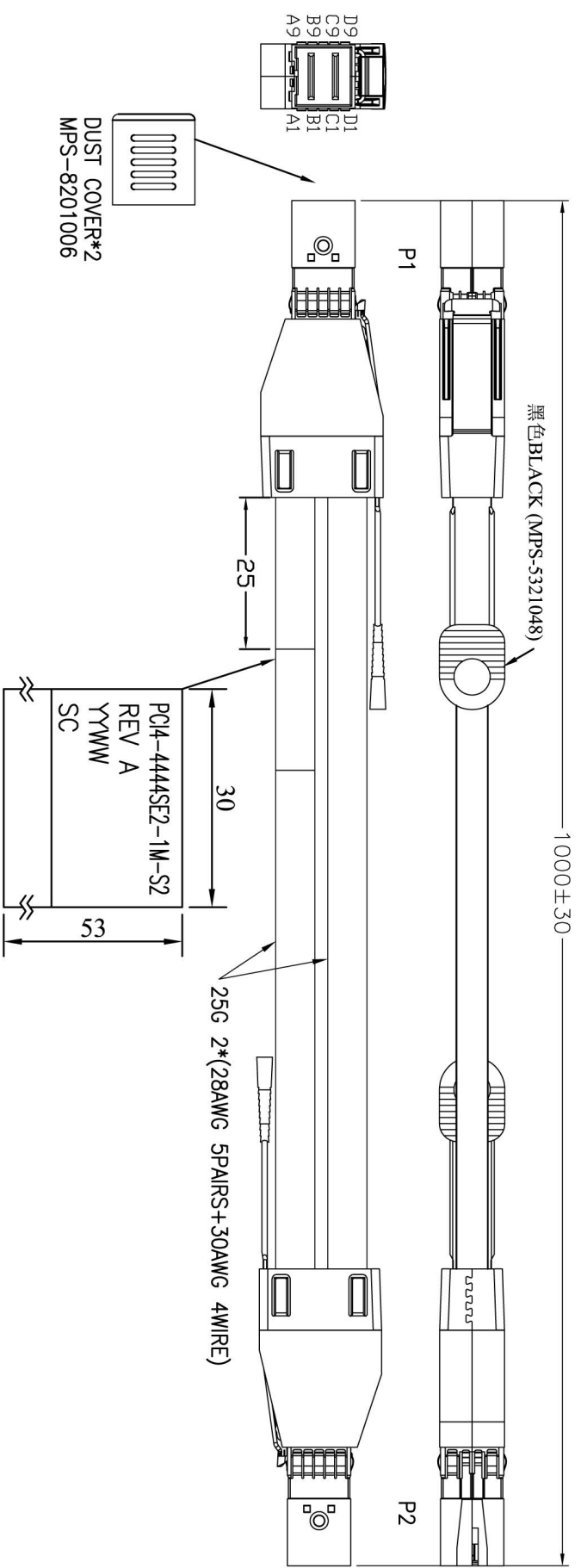


1	2	3	4	5	6	7	8	9
REV.	REMARK		DATE	SIGN.				

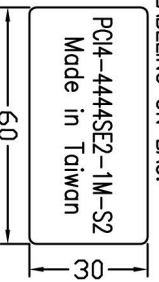
RoHS



Material RoHS Compliant:

- 1.CABLE: 25G 2*(28AWG 5PAIRS+30AWG 4WIRE)
- 2.CONNECTOR:
 - P1,P2: Mini SAS HD 4x CABLE PLUG (SFF-8674)
 - (1) P.C.B: 4 LAYERS, GOLD PLATING ON CONTACT PADS (P/N: SPGB-040167A / SPGB-040168A, PCIe 1000)
 - (2) LATCH: STAINLESS STEEL
 - (3) BACKSHELL: ZINC DIE CASTING HOOD/ NICKEL PLATING
 - (4) PULL TAB: NYLON UL94V-0, COLOR: BLACK(MPS-5321048)
 - (5) EMI SPRING SHIELDING
- 3.FOR PCIe USE.
- 4.TWO-WIRED SERIAL MEMORY: ATMEL AT24C02D EEPROM (256 BYTES).

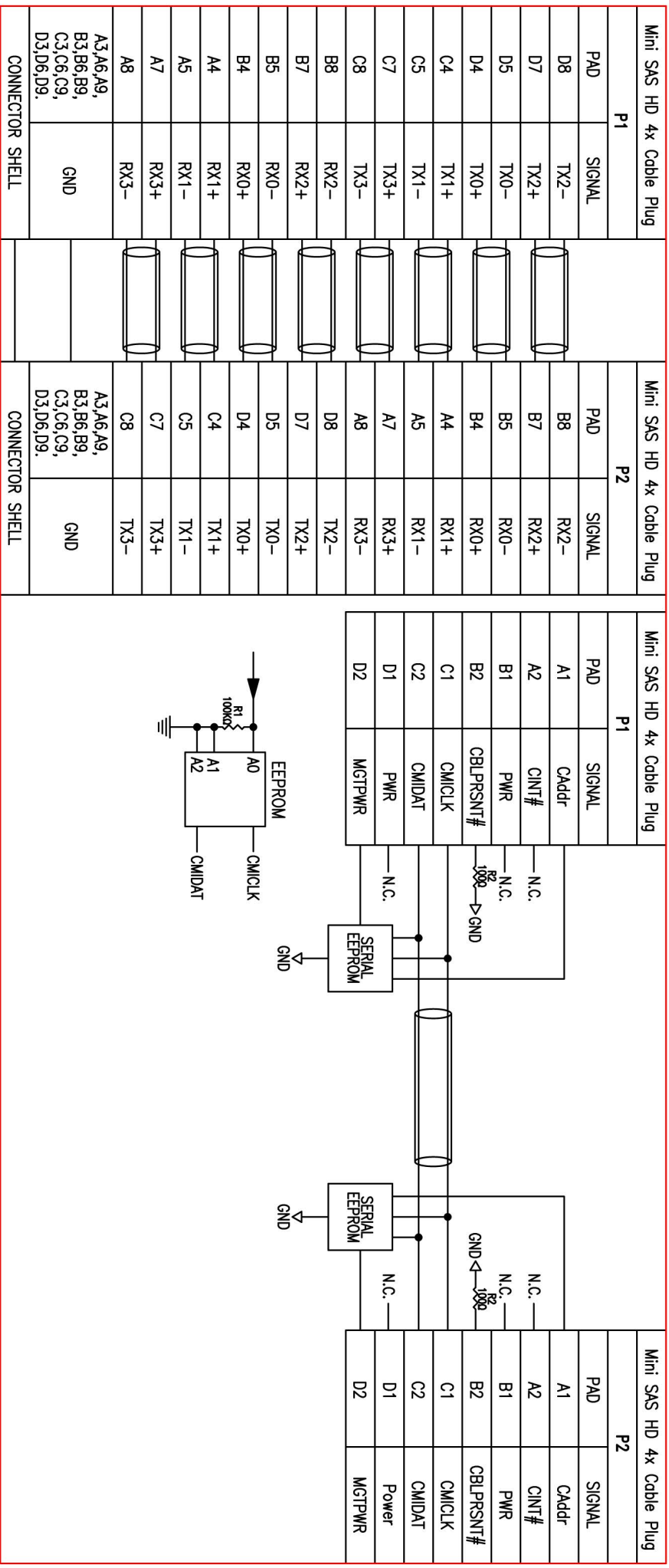
5.LABELING ON BAG:



1	2	3	4	5	6	7	8	9	
DESC.	Mini SAS HD 4x*2 FOR PCIe CABLE ASS'Y	APPROVED	CHECKED	DESIGNED	TOLERANCE	SCALE	*	UNIT	mm
P/N	B-6820	CUSTOMER P/N	PCI4-4444SE2-1M-S2	Sino	DATE	07/11/19	DWG NO.	DWG\B\6820	

1	2	3	4	5	6	7	8	9
REV.	REMARK			DATE	SIGN.			

CUSTOMER WIRING DIAGRAM *客製化接點



Mini SAS HD 4x Cable Plug		Mini SAS HD 4x Cable Plug	
P1	P2	P1	P2
PAD	SIGNAL	PAD	SIGNAL
D8	TX2-	B8	RX2-
D7	TX2+	B7	RX2+
D5	TX0-	B5	RX0-
D4	TX0+	B4	RX0+
C4	TX1+	A4	RX1+
C5	TX1-	A5	RX1-
C7	TX3+	A7	RX3+
C8	TX3-	A8	RX3-
B8	RX2-	D8	TX2-
B7	RX2+	D7	TX2+
B5	RX0-	D5	TX0-
B4	RX0+	D4	TX0+
A4	RX1+	C4	TX1+
A5	RX1-	C5	TX1-
A7	RX3+	C7	TX3+
A8	RX3-	C8	TX3-
CONNECTOR SHELL		CONNECTOR SHELL	
A3,A6,A9, B3,B6,B9, C3,C6,C9, D3,D6,D9.		A3,A6,A9, B3,B6,B9, C3,C6,C9, D3,D6,D9.	



DESC.	Mini SAS HD 4x*2 FOR PCIe CABLE ASS'Y	APPROVED	CHECKED	DESIGNED	TOLERANCE	SCALE	DATE	UNIT
P/N	B-6820	CUSTOMER P/N	PC14-444SE2-1M-S2	Sino		*	07/11/19	mm
						DWG NO: DWG\B\6820		

