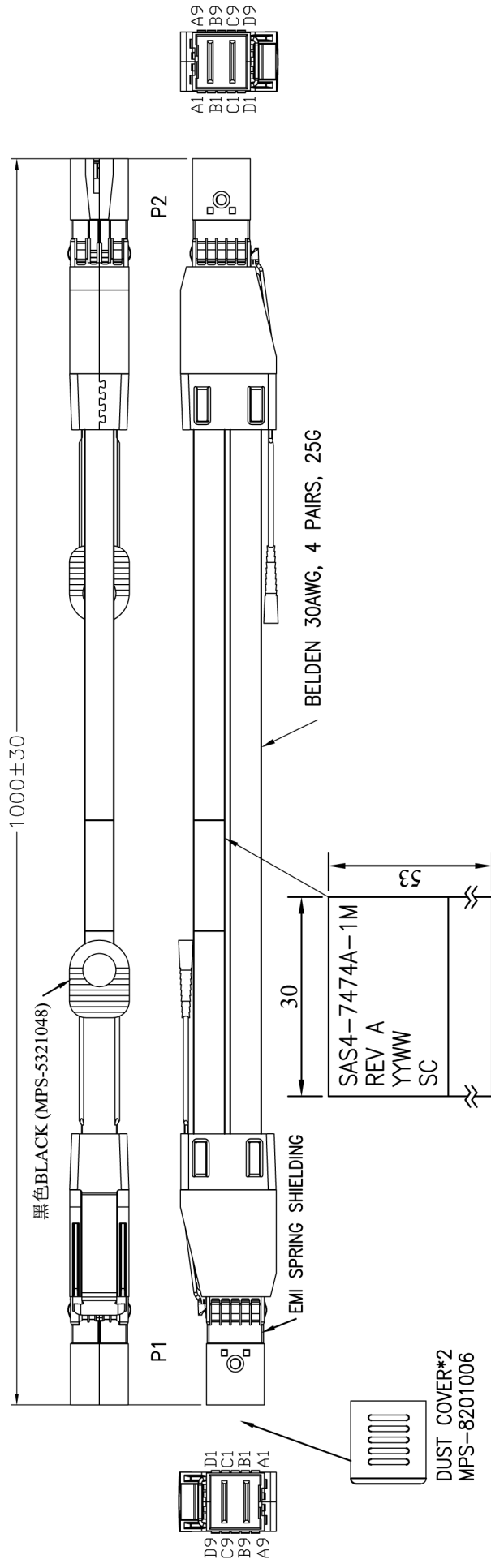




| | | | |
|------|--------|------|-------|
| REV. | REMARK | DATE | SIGN. |
| | | | |



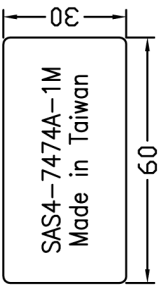
Material RoHS Compliant:

1. CABLE:
 CONDUCTOR: 30AWG SILVER PLATED COPPER.
 8 CORES: 4 PAIRS
 INSULATION: POLYOLEFIN.
 DRAIN WIRE: 30AWG SILVER PLATED COPPER.
 YELLOW SHIELDING TAPE METAL SIDE INWARDS COVERAGE >=100%
 HOT-MELT PET COVERAGE >=100%
 BRAID SHIELD: TINNED COPPER COVERAGE >=85%
 JACKET: PVC
 OUTER DIAMETER: 5.60±0.35mm
 MARKING: BELDEN L-Skew 30A2C21-1 E357312-S
 AWM STYLE 20276 30AWG 80C 30V VW-1 RoHS YYYY/MM/DD XXXXXM

2. CONNECTOR:

- P1, P2: Mini SAS HD 4x CABLE PLUG (SFF-8674)
 (1) P.C.B: GOLD PLATING ON CONTACT PADS.
 (2) LATCH: STAINLESS STEEL
 (3) BACKSHELL: ZINC DIE CASTING HOOD/ NICKEL PLATING
 (4) PULL TAB: NYLON UL94V-0, COLOR: BLACK(MPS-5321048)
 (5) EMI SPRING SHIELDING
 3. FOR SAS 24.0 Gbps.
 4. TWO-WIRED SERIAL MEMORY: ATMEL AT24C02D EEPROM (256 BYTES).

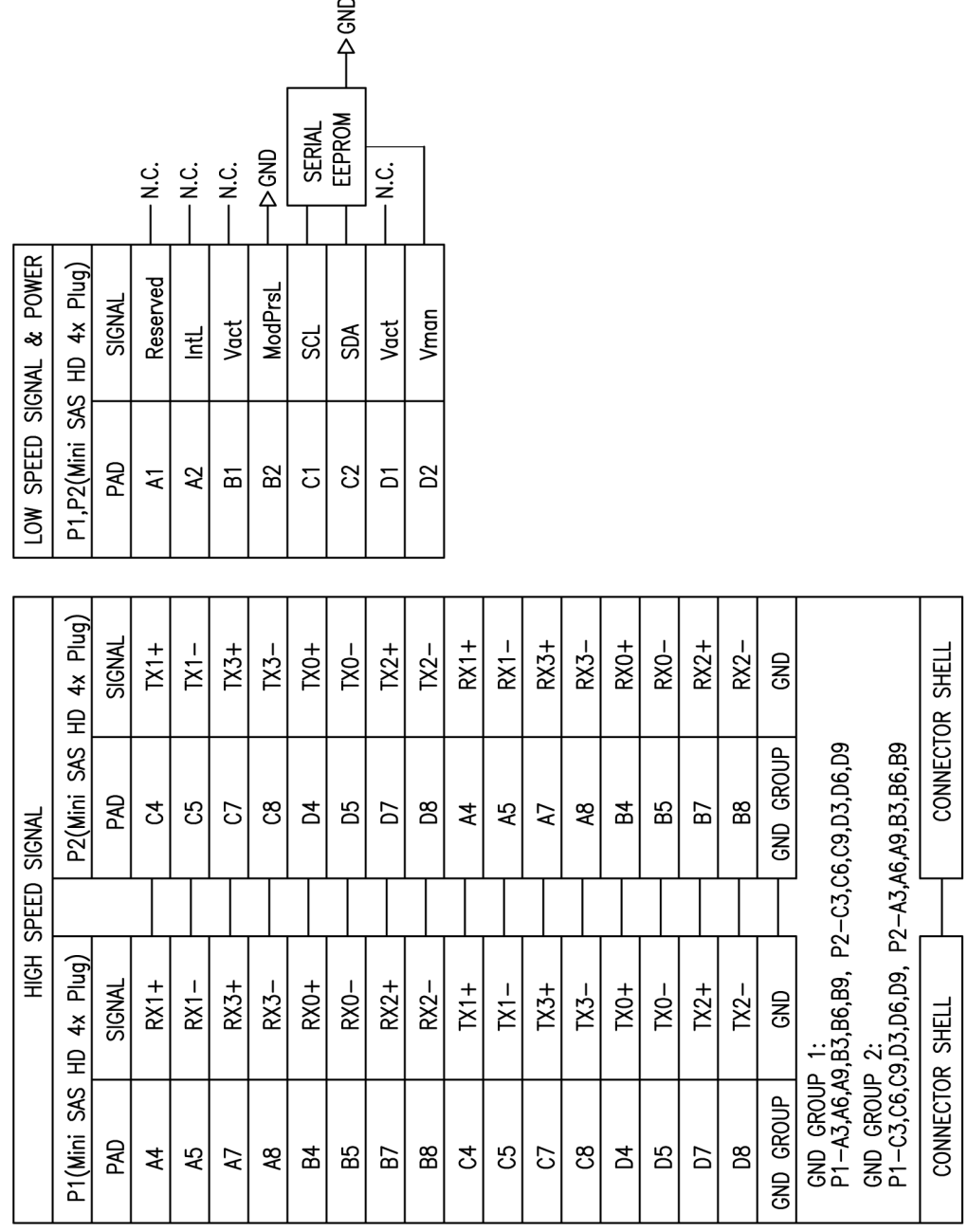
5. LABELING ON BAG:



| | | | | | | |
|-------|--|-----------|-------|----------|---------|------------|
| DESC. | Mini SAS HD 4x*2 FOR SAS 4.0 CABLE ASS'Y | TOLERANCE | SCALE | * | UNIT | mm |
| P/N | B-6681 | DESIGNED | DATE | 12/03/18 | DWG NO: | DWG/B/6681 |
| | CUSTOMER P/N | Sino | | | | |
| | SAS4-7474A-1M | | | | | |

| | |
|-------------|---------------|
| REV. | REMARK |
| | DATE |
| | SIGN. |

WIRING DIAGRAM



| | | | | | | |
|---------------------|--|------------------|------|--------------|----------|---------------------------|
| DESC. | Mini SAS HD 4x*2 FOR SAS 4.0 CABLE ASS'Y | TOLERANCE | * | UNIT | mm | 9 |
| P/N | B-6681 | DESIGNED | Sino | DATE | 12/03/18 | DWG NO: DWG/B/6681 |
| CUSTOMER P/N | | APPROVED | | SCALE | | DATE 12/03/18 |