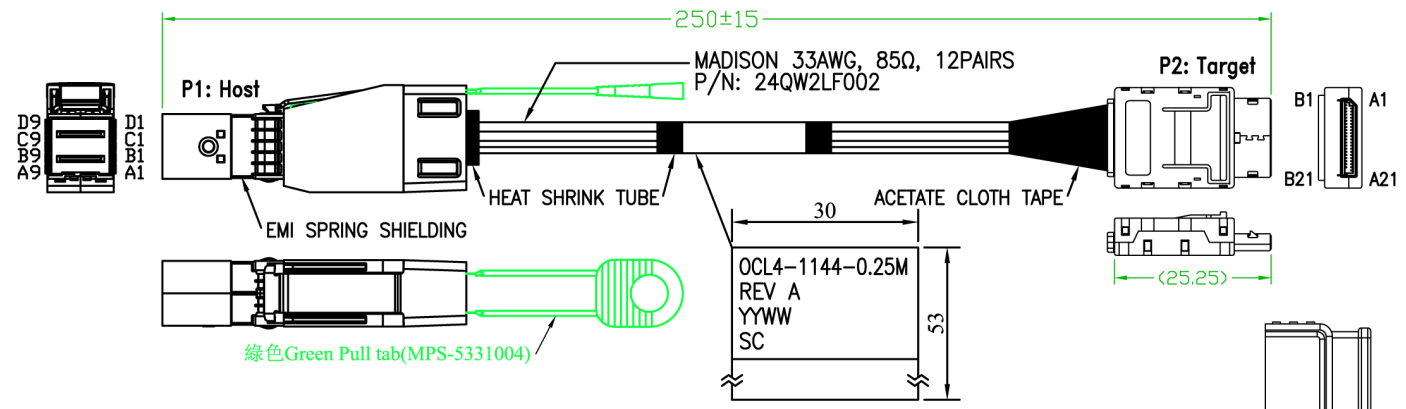


1	2	3	4	5	6	7	8	9
REV.	REMARK			DATE	SIGN.			

RoHS



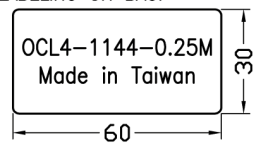
**MATERIAL RoHS COMPLIANT:**

- 1.CABLE: MADISON 33AWG, 12PAIRS, 85Ω  
 CONDUCTOR: 33AWG SOLID SILVER PLATED COPPER.  
 INSULATION: POLYOLEFIN.  
 PAIR: 2 SINGLES LAID FLAT AND PARALLEL.  
 PAIR DRAIN WIRE: 33AWG SOLID TIN PLATED COPPER.  
 PAIR SHIELD: METALLIC TAPE  
 PAIR JACKET: POLYESTER TAPE  
 DIFFERENTIAL IMPEDANCE: 85±5 OHMS @TDR

**2.CONNECTOR:**

- P1: Mini SAS HD 4x for PCIe CABLE PLUG  
 (1) P.C.B: 4 LAYERS, GOLD PLATING ON CONTACT PADS, WITHOUT CARBON  
 (P/N: MPCB-060003LF REV.B / MPCB-060004LF REV.B)  
 (2) LATCH: STAINLESS STEEL  
 (3) BACKSHELL- ZINC DIE CASTING HOOD/ NICKEL PLATING  
 (4) PULL TAB: NYLON UL94V-0, COLOR: GREEN(MPS-5331004)  
 (5) EMI SPRING SHIELDING
- P2: OCuLink STRAIGHT CABLE PLUG  
 (1) P.C.B: 4 LAYERS, GOLD PLATING ON CONTACT PADS(SPCB-040162A)  
 (2) BACKSHELLS: LCP UL94-V0, COLOR: BLACK.  
 (3) LATCH: STAINLESS STEEL

**3.LABELING ON BAG:**



**CUSTOMER WIRING DIAGRAM**

CONTROLLER		BACKPLANE	
P1: Mini SAS HD 4x (HOST)		P2: OCuLink STRAIGHT (TARGET)	
PAD	SIGNAL	PAD	SIGNAL
A4	PERp3	B18	PETp3
A5	PERn3	B19	PETn3
A7	PERp0	B3	PETp0
A8	PERn0	B4	PETn0
B4	PERp2	B15	PETp2
B5	PERn2	B16	PETn2
B7	PERp1	B6	PETp1
B8	PERn1	B7	PETn1
C4	PETp3	A18	PERp3
C5	PETn3	A19	PERn3
C7	PETp0	A3	PERp0
C8	PETn0	A4	PERn0
D4	PETp2	A15	PERp2
D5	PETn2	A16	PERn2
D7	PETp1	A6	PERp1
D8	PETn1	A7	PERn1
A1	CLK_0_N	B13	REFCLKN0
A2	CLK_0_P	B12	REFCLKP0
C1	ATLAS_SCL	A9	OCU_CLK
C2	ATLAS_SDA	A10	OCU_SDA
D1	PERST#_0	A12	PERSTO#
B2	PRESENT#	A13	PRSNT#
B1	DP_EN#_0	B9	BP_TYPE&DP_EN#
D2	PERST#_1	B10	CAWKE_PERST1#
GND GROUP	GND	GND GROUP	GND
GND GROUP: A3,A6,A9,B3,B6,B9, C3,C6,C9,D3,D6,D9,		GND GROUP: A2,A5,A8,A11,A14,A17,A20 B2,B5,B8,B11,B14,B17,B20	

\*客供接點



DESC.	MiniSASHD 4x TO OCuLink STRAIGHT CABLE ASS'Y	APPROVED	CHECKED	DESIGNED	TOLERANCE	SCALE	*	UNIT	mm	
P/N	B-6719	CUSTOMER P/N	OCL4-1144-0.25M	Sino		DATE	03/25/'19	DWG NO:	DWG\B\6719	