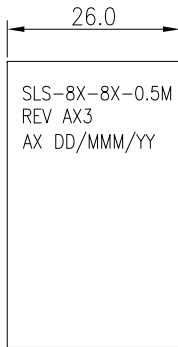
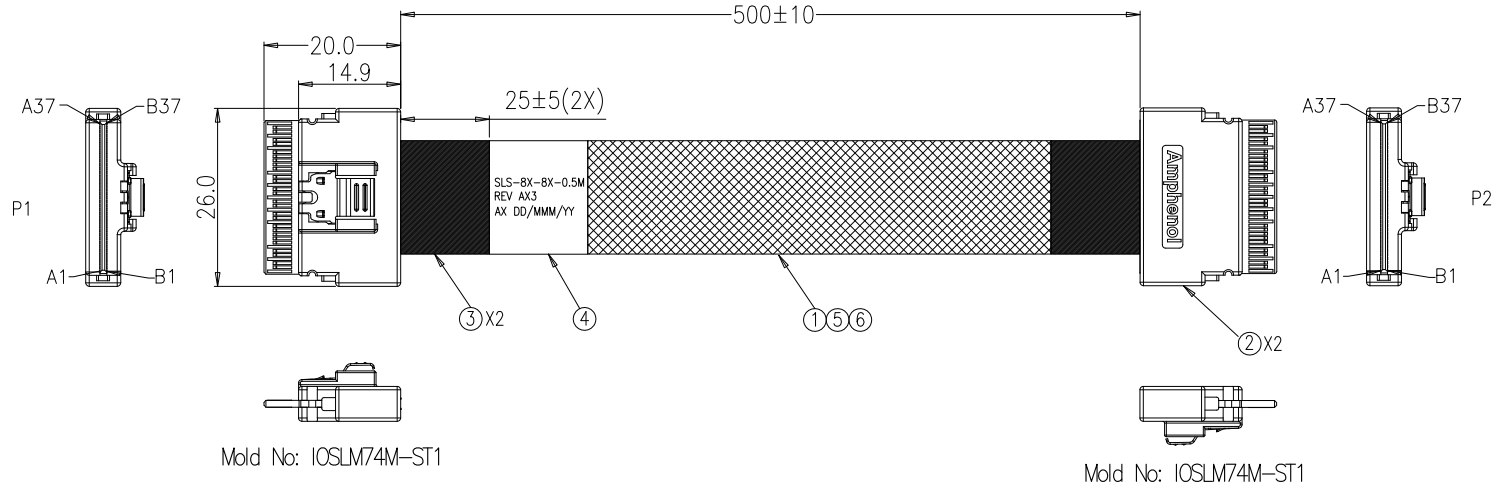


The marking on this product doesn't contain environmental hazardous materials per directive 2011/65/EU for RoHS compliance.

REVISIONS					
ECN NO.	REV.	DESCRIPTIONS	CHECKED	APPROVED	DATE
	AX1	INITIAL RELEASE	KOCHI	DAVID	11/07/2016
	AX2	CHANGE SAS CABLE AND LABEL CONTENT	JIESS	KASUN	05/16/2018
	AX3	ADD PN OF CUSTOMER AND PACKAGE	JIESS	KASUN	06/19/2018

- NOTE:
1. THE CABLE ASSEMBLY SHOULD BE RoHS2.0 COMPLIANT.
该产品通过RoHS2.0认证。
 2. ELECTRICAL AND MECHANICAL PERFORMANCE SHOULD MEET THE PCIE GEN4 INDUSTRIAL STANDARD.
电气和机械特性遵循PCIE GEN4工业标准。



LABEL DETAIL

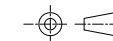
6	H03302300X	WIRE,30AWG,UL3302,OD0.55,FR-XLPE,VW-1,NO MARKING,HF	A/R
5	HMTBD01001	EXPANDO TUBE:OD=10MM,BLACK,VW-1,HF	A/R
4	HMLSB70261	LABEL 70*26MM WHITE,R2,HF	1
3	HMMTP00012	ACETATE TAPE:W=1INCH,HF	A/R
2	AST8654-0074-01	SLIMLINE 74P CONNECTOR	2
1	HWSS320020	SAS CBL:UL20744,32#2C+2C+A+HM,BLU,85Q,VW-1,HF,24G	A/R
ITEM	P/N	DESCRIPTION	QTY

This drawing is the property of Serial Cables and is delivered on the express condition that it is not to be disclosed, reproduced or used, in whole or in part, for manufacture or sale by anyone other than Serial Cables without its prior consent, and that no right is granted to disclose or use any information in this drawing.



TITLE:
SC P/N:SLS-8X-8X-0.5M
SAS SLIMLINE 8i PLUG TO 8i PLUG CABLE ASSEMBLY

DWG. No.: RSL74-0771



SCALE: NONE

SHEET 1 OF 3

UNIT: MM

SIZE: A4

REV.: AX3

GENERAL TOLERANCES

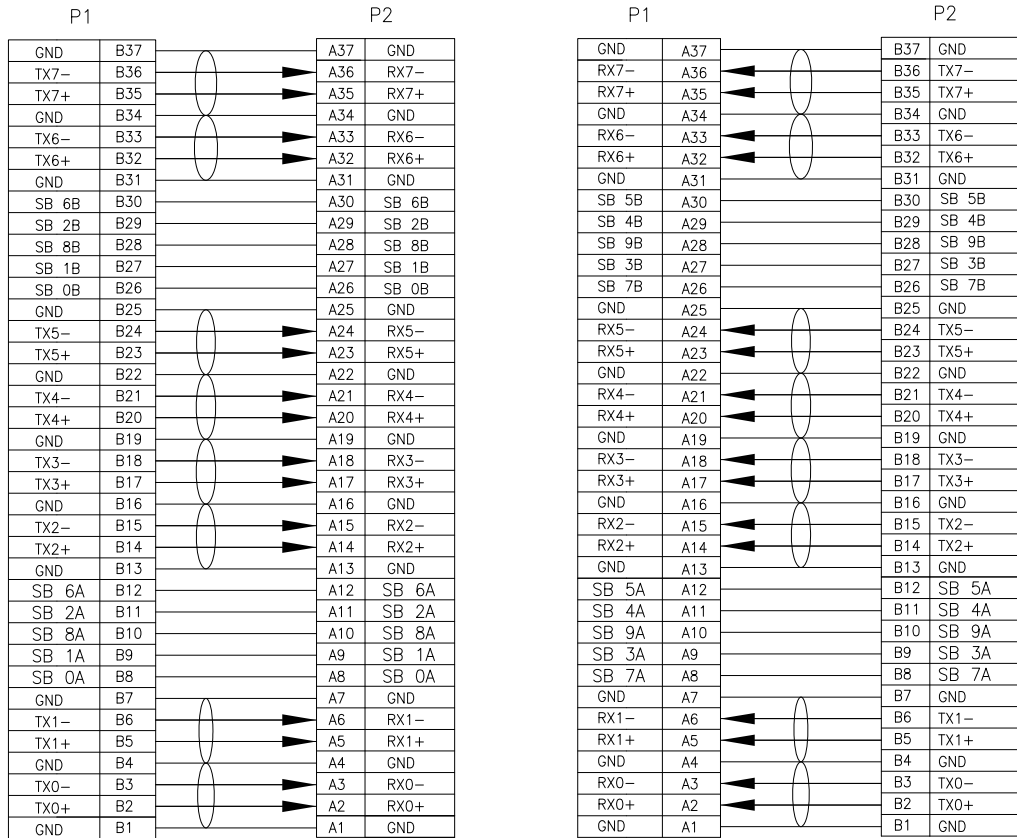
.X:	± 0.5
.XX:	± 0.3
.XXX:	
ANGULAR:	± 2'

DRAWN:	NATHAN CAO	DATE:	06/19/2018
CHECKED:	JIESS HUANG	DATE:	06/19/2018
APPROVED:	KASUN LI	DATE:	06/19/2018

The marking on this product doesn't contain environmental hazardous materials per directive 2011/65/EU for RoHS compliance.

REVISIONS

ECN NO.	REV.	DESCRIPTIONS	CHECKED	APPROVED	DATE
	AX1	INITIAL RELEASE	KOCHI	DAVID	11/07/2016
	AX2	CHANGE SAS CABLE AND LABEL CONTENT	JIESS	KASUN	05/16/2018
	AX3	ADD PN OF CUSTOMER AND PACKAGE	JIESS	KASUN	06/19/2018



WIRE DIAGRAM

This drawing is the property of Serial Cables and is delivered on the express condition that it is not to be disclosed, reproduced or used, in whole or in part, for manufacture or sale by anyone other than Serial Cables without its prior consent, and that no right is granted to disclose or use any information in this drawing.



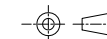
GENERAL TOLERANCES

.X:	± 0.5
.XX:	± 0.3
.XXX:	
ANGULAR:	± 2'

DRAWN: NATHAN CAO	DATE: 06/19/2018
CHECKED: JIESS HUANG	DATE: 06/19/2018
APPROVED: KASUN LI	DATE: 06/19/2018

TITLE:
SC P/N:SLS-8X-8X-0.5M
SAS SLIMLINE 8i PLUG TO 8i PLUG CABLE ASSEMBLY

DWG. No.: RSL74-0771

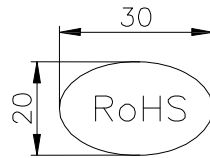


SCALE: NONE	SHEET 2 OF 3
UNIT: MM	SIZE: A4
REV.: AX3	

The marking on this product doesn't contain environmental hazardous materials per directive 2011/65/EU for RoHS compliance.

REVISIONS					
ECN NO.	REV.	DESCRIPTIONS	CHECKED	APPROVED	DATE
	AX1	INITIAL RELEASE	KOCHI	DAVID	11/07/2016
	AX2	CHANGE SAS CABLE AND LABEL CONTENT	JIESS	KASUN	05/16/2018
	AX3	ADD PN OF CUSTOMER AND PACKAGE	JIESS	KASUN	06/19/2018

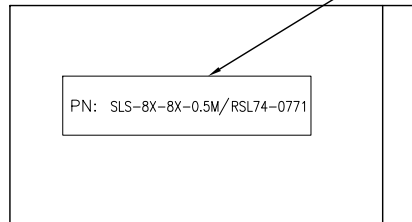
LABEL 2



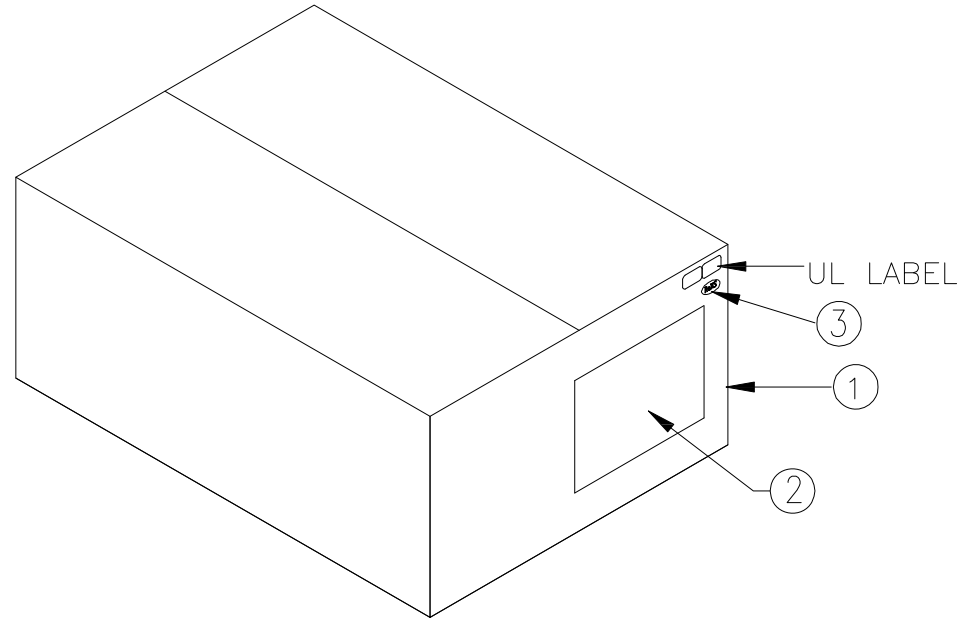
LABEL 3



⑤ The label is stucked in the middle.



④ 1PCS PRODUCTS PUT INTO THE PE BAG



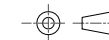
5	HMLSB14741	LABEL:Synthetic Paper,14*74MM,WHT,HF	1
4	RMBZIP0018	ZIP BAG:120*300MM,T=6C	1
3	RMLSW30201	RoHS LABEL:30*20MM, LABEL5 INFO	1
2	HMLSB00401	LABEL:Synthetic Paper,100*40MM,WHT,BLANK,HF	1
1	RMBCTN0019	CARTON:590*240*200MM E TYPE	1
ITEM	PART NUMBER	DESCRIPTION	Q'TY

This drawing is the property of Serial Cables and is delivered on the express condition that it is not to be disclosed, reproduced or used, in whole or in part, for manufacture or sale by anyone other than Serial Cables without its prior consent, and that no right is granted to disclose or use any information in this drawing.



TITLE:
SC P/N:SLS-8X-8X-0.5M
SAS SLIMLINE 8i PLUG TO 8i PLUG CABLE ASSEMBLY

DWG. No.: RSL74-0771



SCALE: NONE
SHEET 3 OF 3
UNIT: MM SIZE: A4 REV.: AX3

GENERAL TOLERANCES

.X:	± 0.5
.XX:	± 0.3
.XXX:	
ANGULAR:	± 2'

DRAWN:	NATHAN CAO	DATE:	06/19/2018
CHECKED:	JIESS HUANG	DATE:	06/19/2018
APPROVED:	KASUN LI	DATE:	06/19/2018