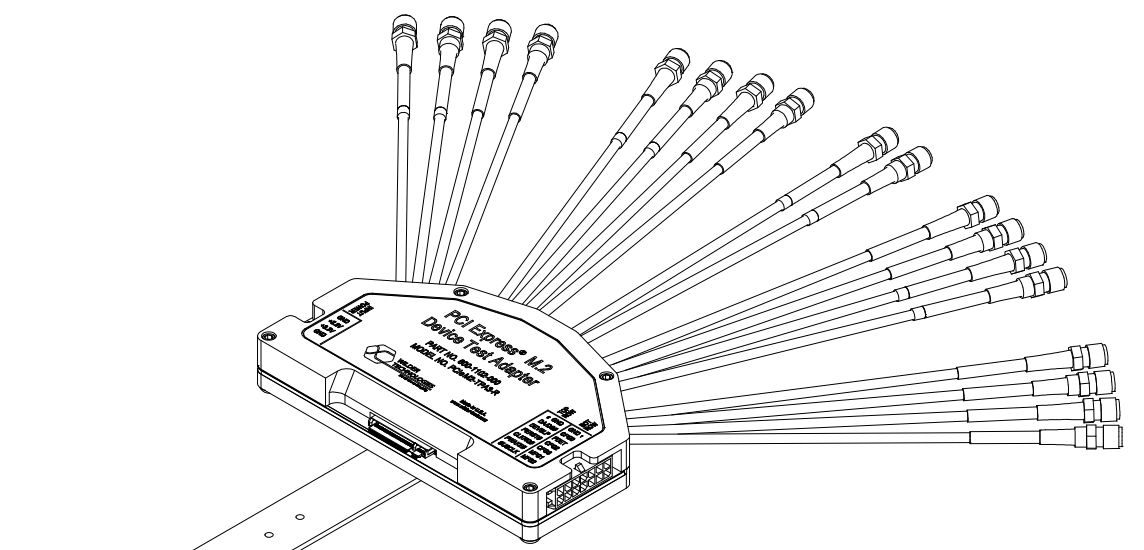
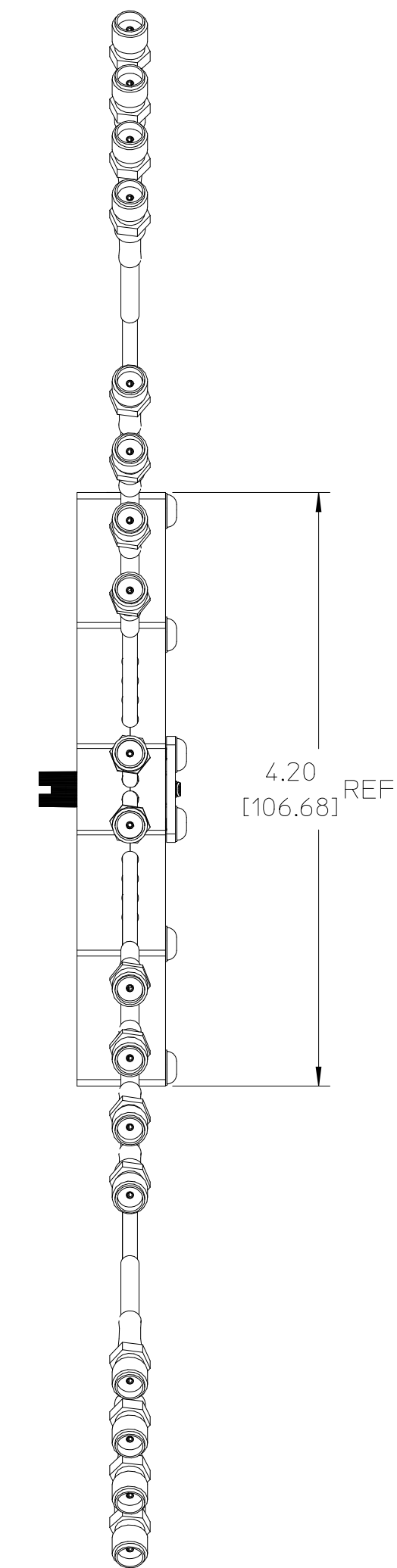
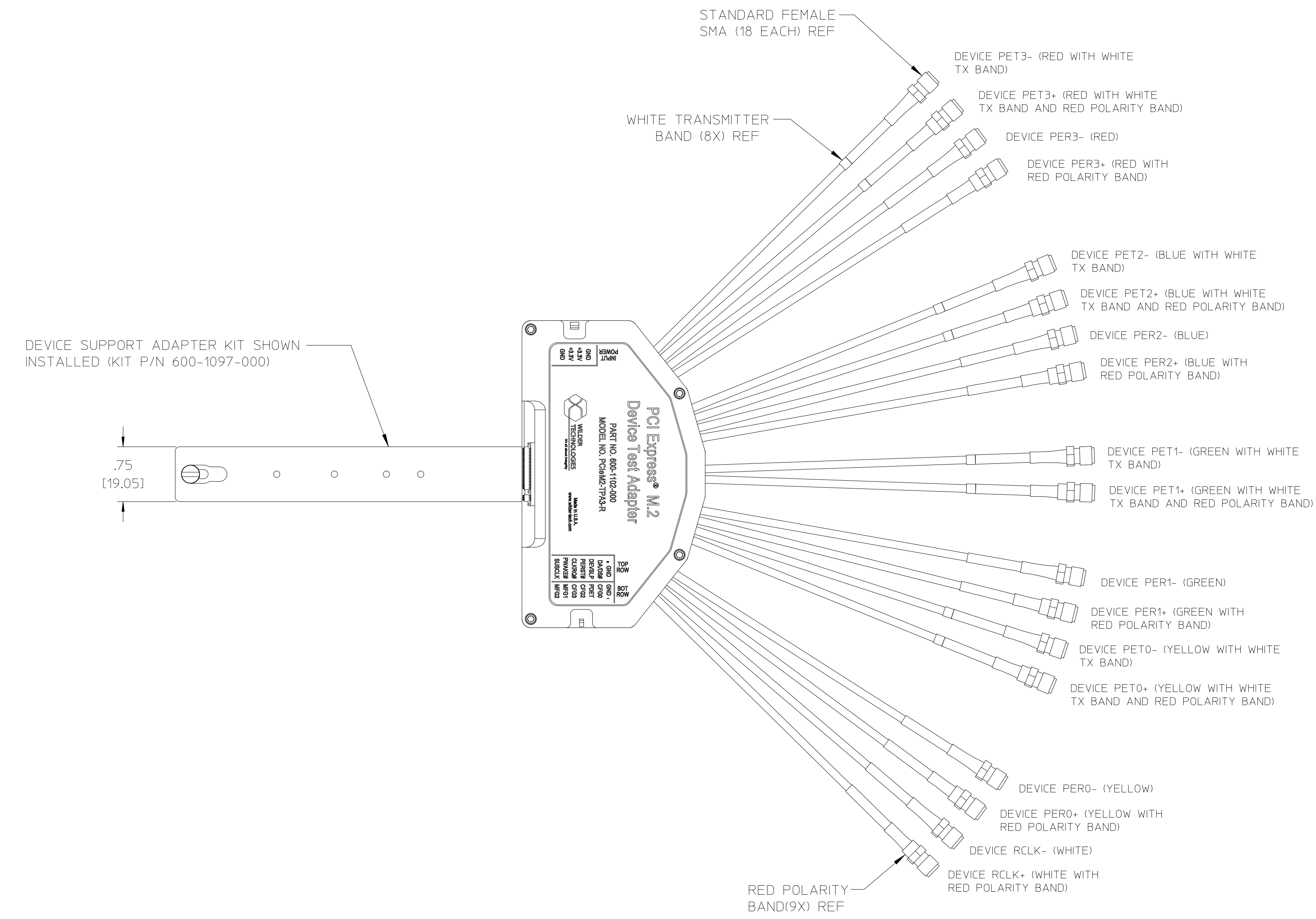
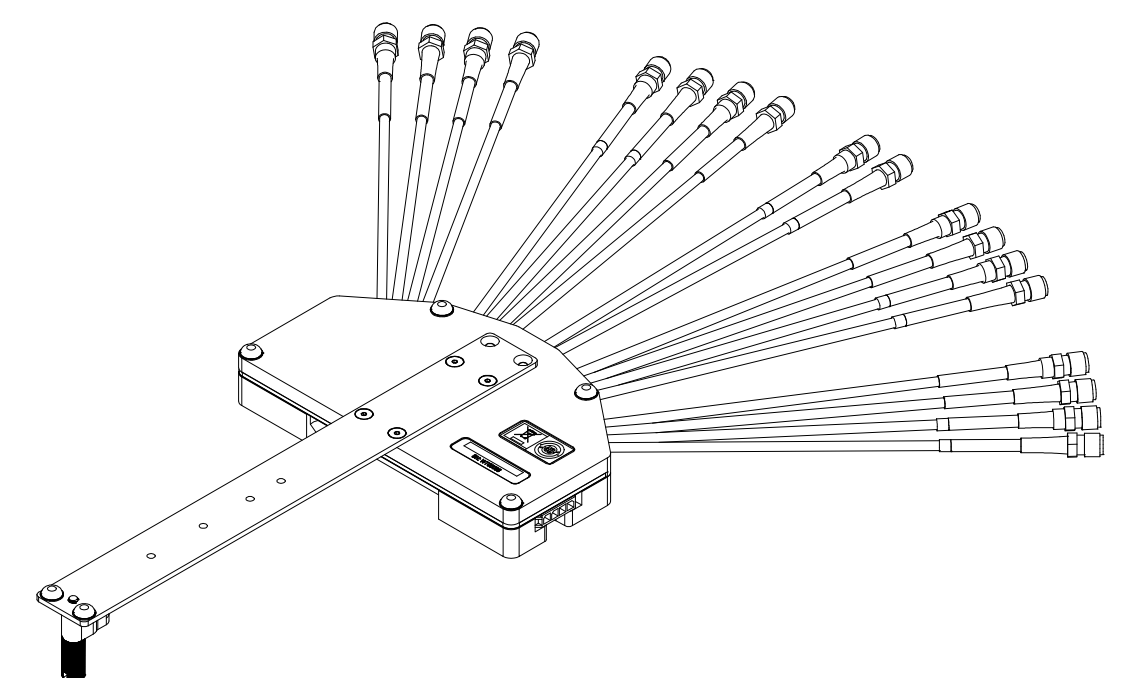


THIS DOCUMENT CONTAINS PROPRIETARY INFORMATION AND IS THE PROPERTY OF WILDER TECHNOLOGIES. THIS INFORMATION SHALL NOT BE REPRODUCED, TRANSFERRED TO OTHER DOCUMENTS, DISCLOSED TO OTHERS FOR MANUFACTURING OR ANY OTHER PURPOSE WITHOUT WRITTEN PERMISSION FROM WILDER TECHNOLOGIES.

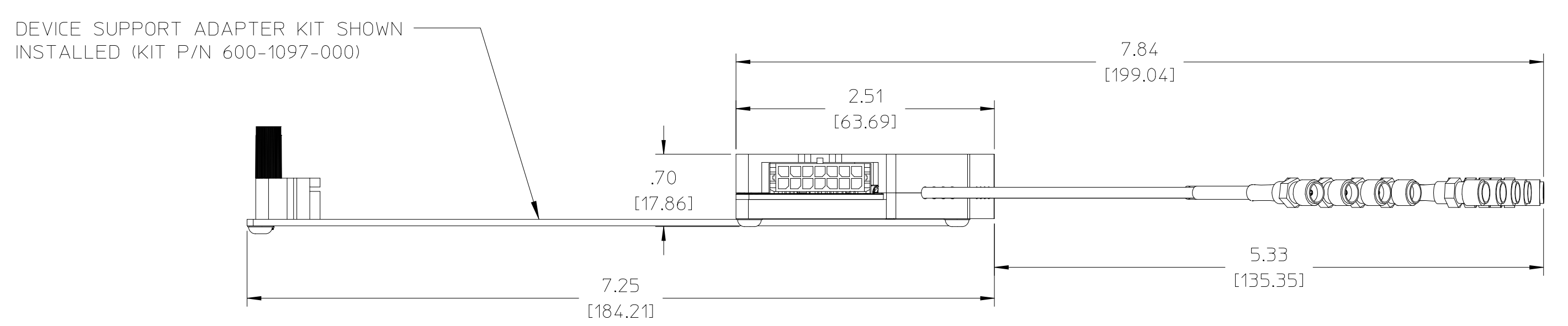
REVISIONS				
REV	AUTH	DESCRIPTION	APVD DATE	CHK DATE
A	XXXX	INITIAL RELEASE	TD	8/23/2013



GENERAL VIEW A
SCALE 1:2



GENERAL VIEW B
SCALE 1:2



- NOTE: UNLESS OTHERWISE SPECIFIED
1. INTERPRET DIMENSIONS AND TOLERANCES PER ANSI Y14.5.
 2. REFER TO THE USERS MANUAL FOR DETAILED MECHANICAL AND ELECTRICAL SPECIFICATIONS.
 3. THE TEST ADAPTER IS SUPPLIED WITH A SEPARATE INTERFACE RECEPTACLE CONNECTOR AND CONTACTS (ITEMS 10 AND 11) TO ALLOW USERS TO CONNECT TO THIS ASSEMBLY.
 4. THIS TEST ADAPTER IS SUPPLIED WITH TWO TYPES OF PRE-ASSEMBLED POWER HARNESSSES FOR USER INPUT POWER.

UNLESS OTHERWISE SPECIFIED DIMENSIONS ARE INCHES (METRIC)				6101A East 18th St. Vancouver, WA 98661 Tel: 360-859-3011 Fax: 360-859-3105 www.wilder-tech.com	
.XXX ±	.005 ±	.127 ±	DRAWN BY: T. DELUCCO DATE: 8/23/2013		
.XX ±	.01 ±	.25 ±	CHECKED BY: DATE:		
.X ±	.12 ±	.3 ±	APPROVED BY: DATE:		
ANGLE ±	1° ±	1° ±	MATERIAL:		
FINISH:			DESCRIPTION: CUSTOMER REFERENCE DRAWING, FINAL ASSY, PCIe M2 SOCKET 3 DEVICE TEST ADAPTER		
SIZE: D		PART NUMBER: 600-1102-000		REV: A	
SCALE: 1:1		DO NOT SCALE DRAWING		SHEET 3 OF 3	