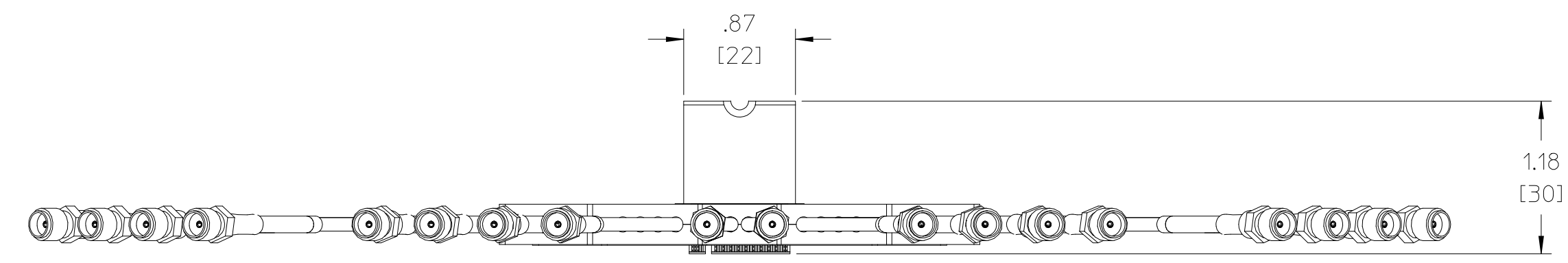
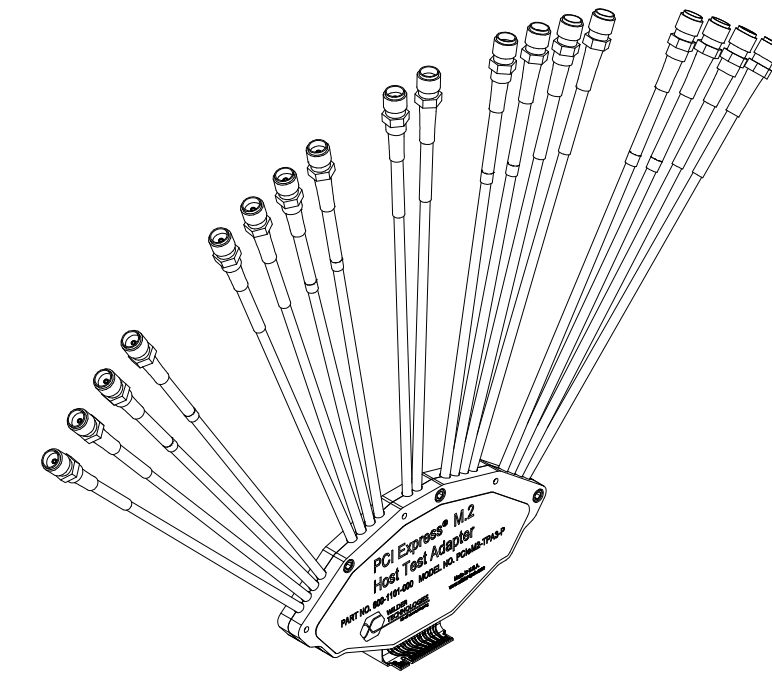


THIS DOCUMENT CONTAINS PROPRIETARY INFORMATION AND IS THE PROPERTY OF WILDER TECHNOLOGIES. THIS INFORMATION SHALL NOT BE REPRODUCED, TRANSFERRED TO OTHER DOCUMENTS, DISCLOSED TO OTHERS FOR MANUFACTURING OR ANY OTHER PURPOSE WITHOUT WRITTEN PERMISSION FROM WILDER TECHNOLOGIES.

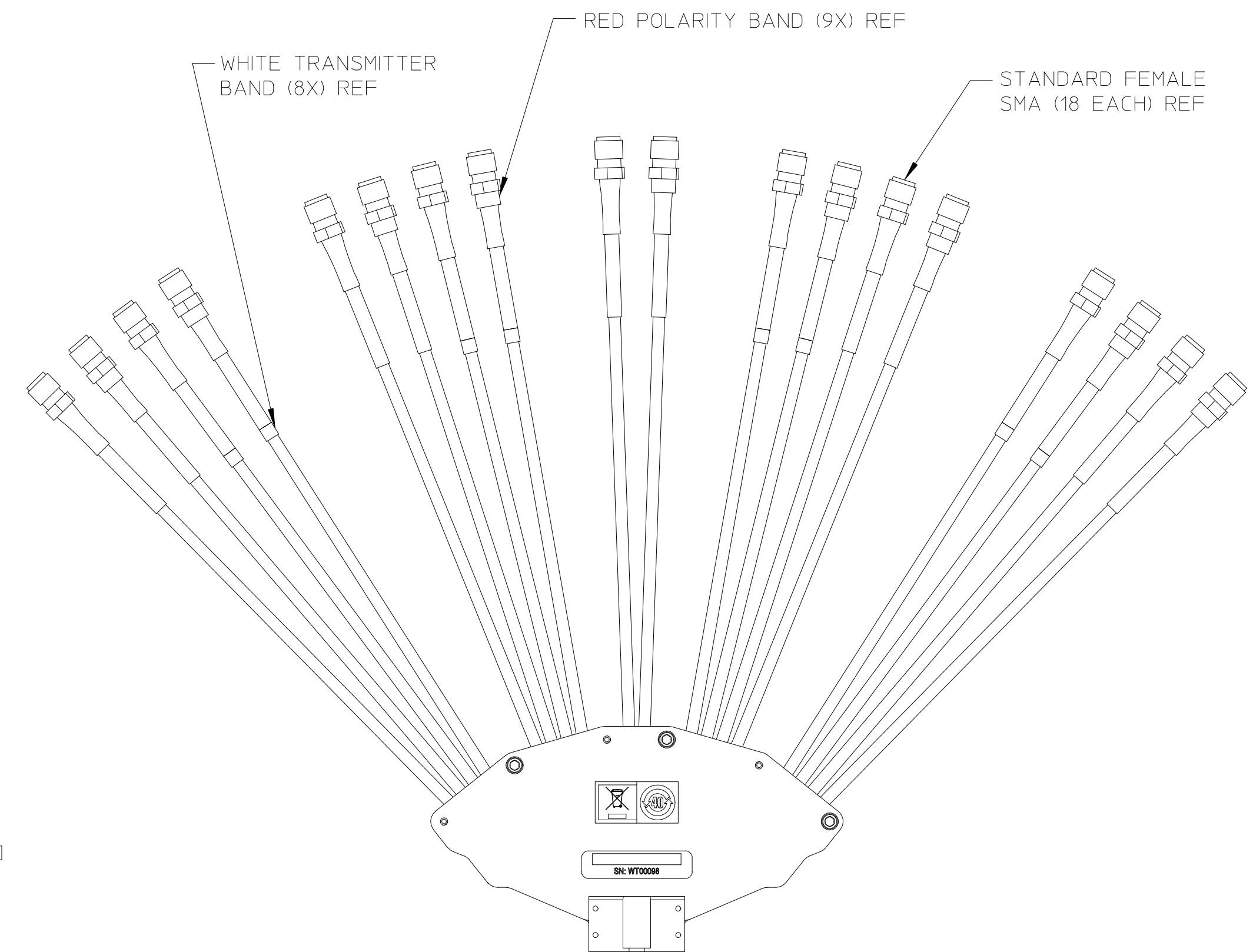
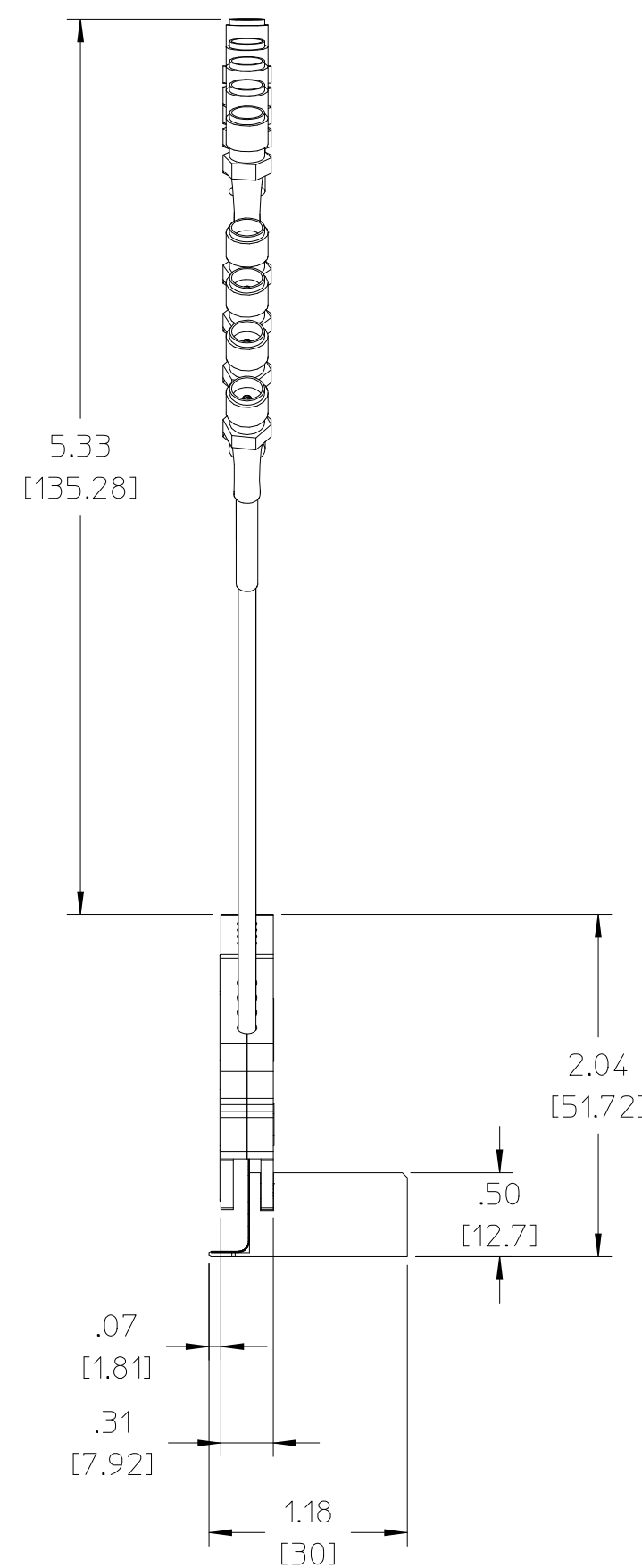
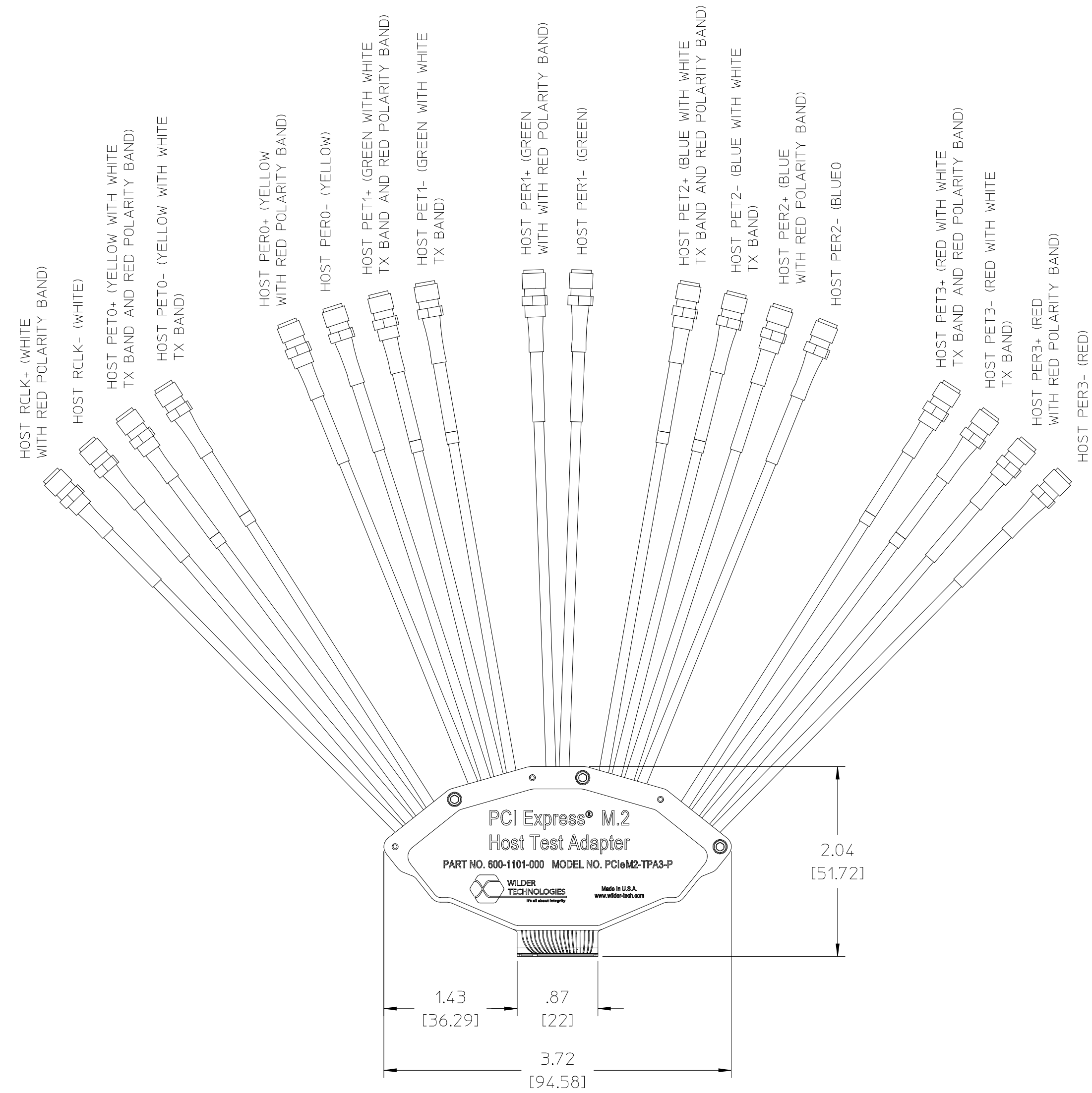
REVISIONS				
REV	AUTH	DESCRIPTION	APVD DATE	CHK DATE
A	XXXX	INITIAL RELEASE	TD	8/14/2013



PCIe M.2 SOCKET 3  
PIN CONFIGURATION  
(HARD GOLD PLATED)



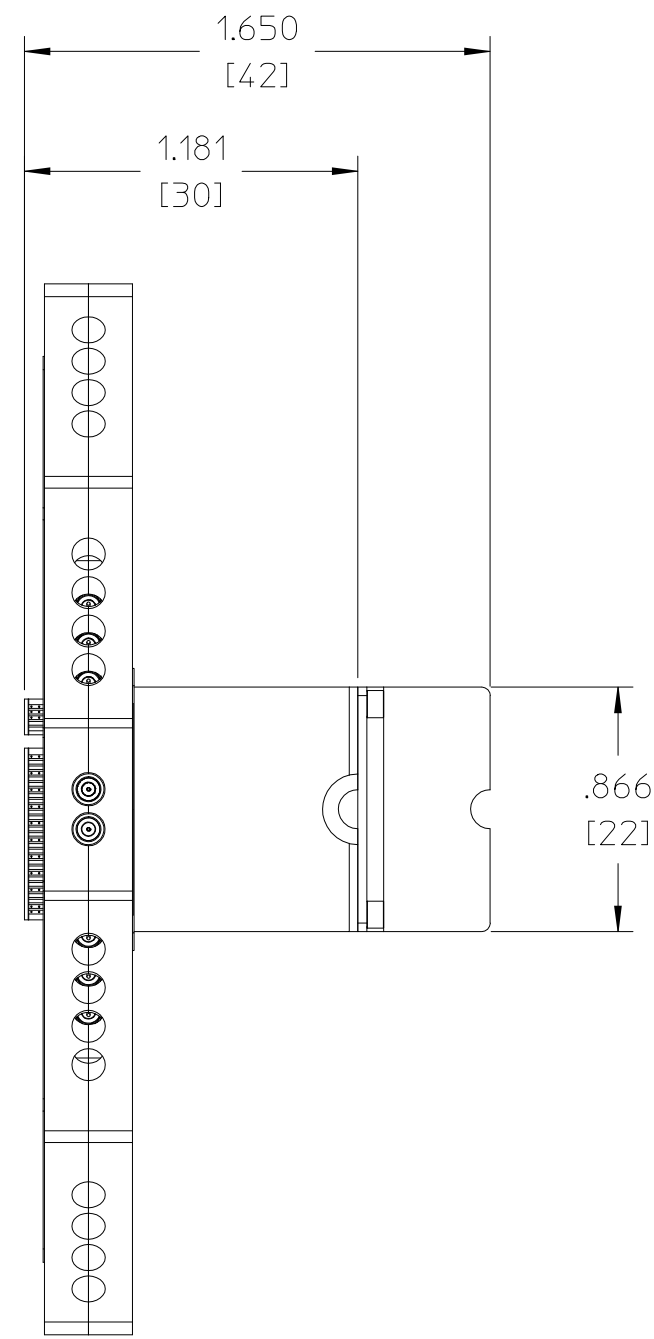
GENERAL VIEW A  
SCALE 1:2



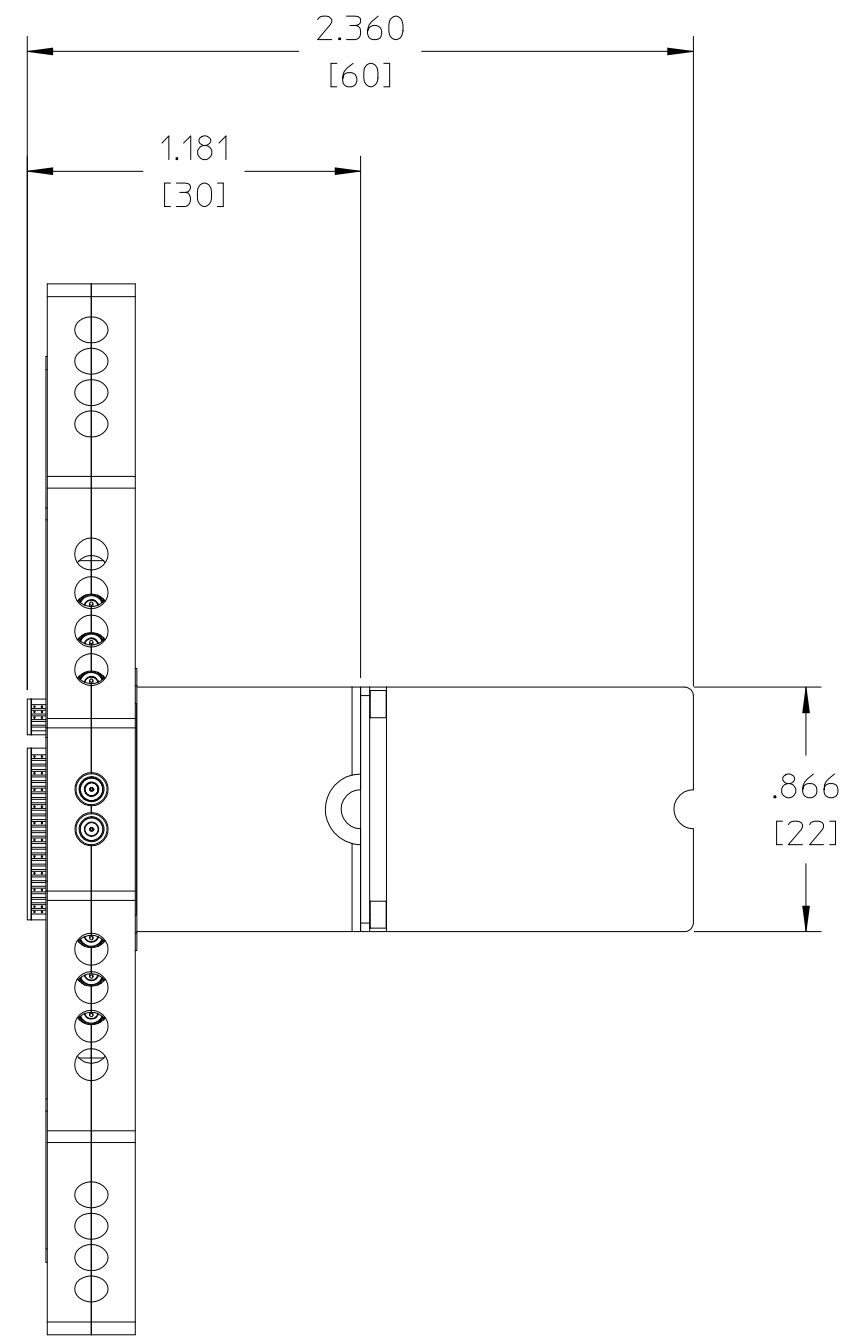
NOTE: UNLESS OTHERWISE SPECIFIED

- REFER TO USERS MANUAL FOR DETAILED MECHANICAL AND ELECTRICAL SPECIFICATIONS.
- INTERPRET DIMENSIONS AND TOLERANCES PER ANSI Y14.5.

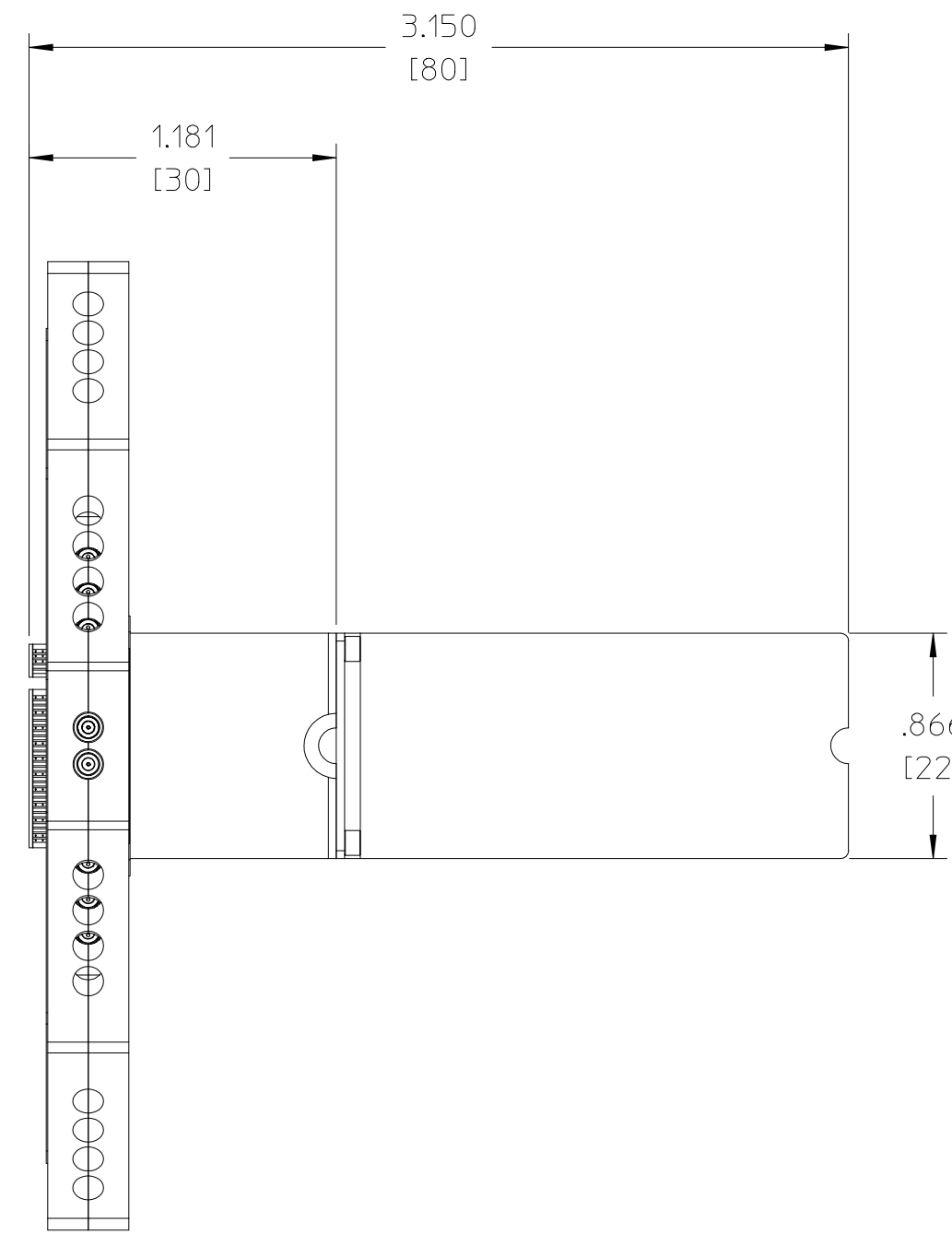
UNLESS OTHERWISE SPECIFIED DIMENSIONS ARE INCHES (METRIC)		6101 A East 18th St Vancouver, WA 98661 Tel: 360-859-3011 Fax: 360-859-3105 www.wilder-tech.com	
.XXX + .005 + .027 +		DRAWN BY: T. DELUCCO	DATE: 8/14/2013
.XX + .01 + .25 +		CHECKED BY:	DATE:
.X + .12 + .3 +		APPROVED BY:	DATE:
ANGLE + 1°		DESCRIPTION:	
		CUSTOMER REFERENCE DRAWING PCIe M.2 SOCKET 3 HOST TEST ADAPTER	
FINISH:	SIZE PART NUMBER:	SCALE: 1:1	DO NOT SCALE DRAWING SHEET 4 OF 5
	D 600-1101-000		REV A



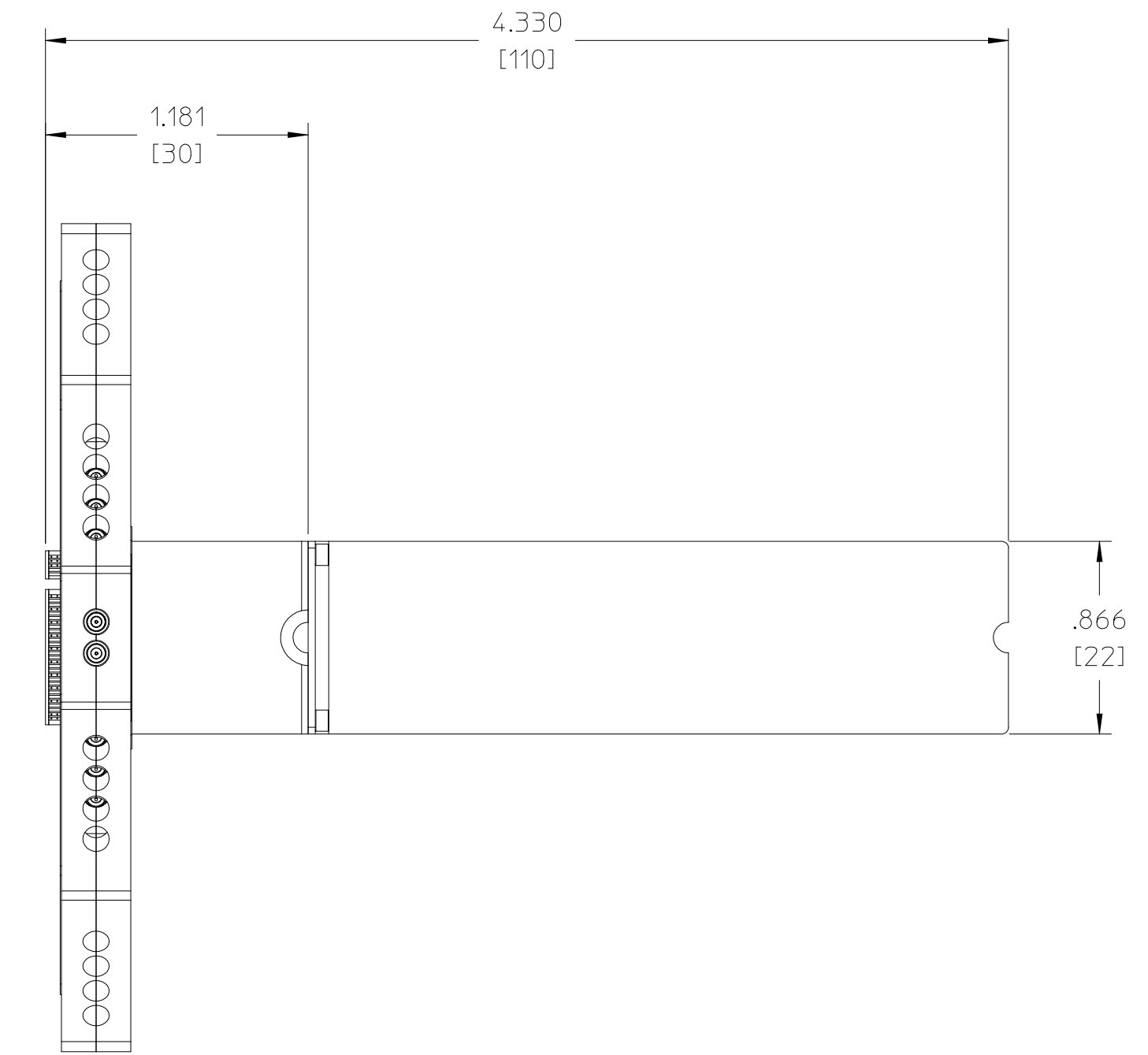
PCIeM2-TPA-P WITH OPTIONAL LENGTH ADAPTER INSTALLED (42mm OVERALL LENGTH)  
KIT P/N 600-1096-042  
(CABLES NOT SHOWN FOR CLARITY)



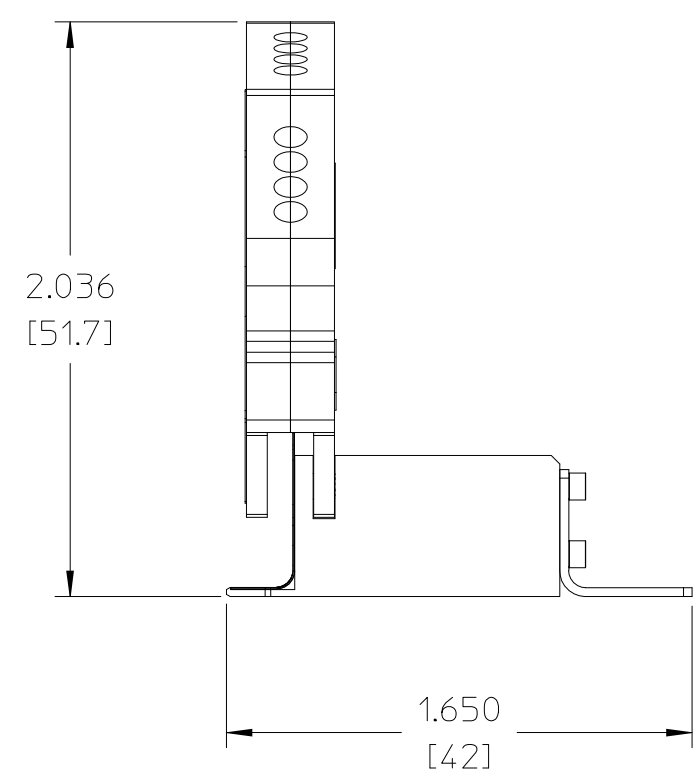
PCIeM2-TPA-P WITH OPTIONAL LENGTH ADAPTER INSTALLED (60mm OVERALL LENGTH)  
KIT P/N 600-1096-060  
(CABLES NOT SHOWN FOR CLARITY)



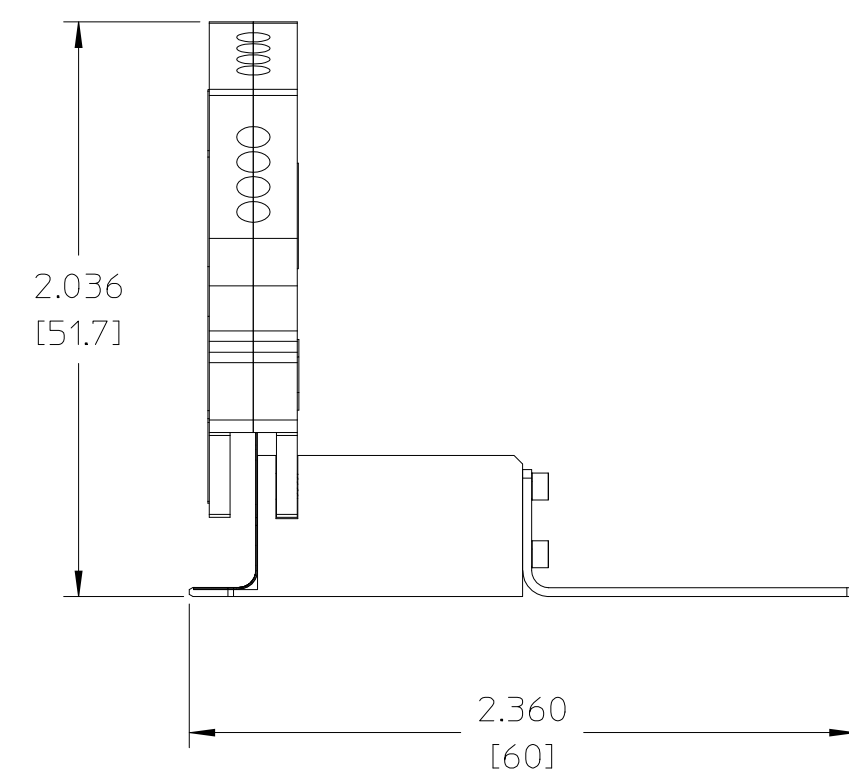
PCIeM2-TPA-P WITH OPTIONAL LENGTH ADAPTER INSTALLED (80mm OVERALL LENGTH)  
KIT P/N 600-1096-080  
(CABLES NOT SHOWN FOR CLARITY)



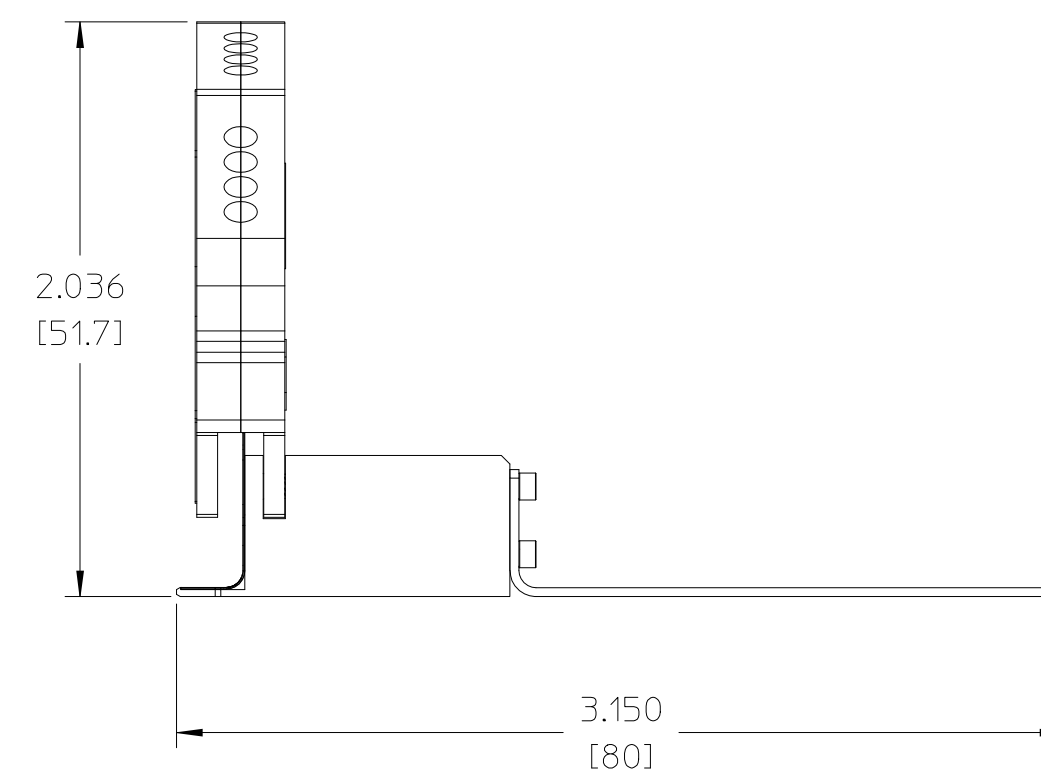
PCIeM2-TPA-P WITH OPTIONAL LENGTH ADAPTER INSTALLED (110mm OVERALL LENGTH)  
KIT P/N 600-1096-110  
(CABLES NOT SHOWN FOR CLARITY)



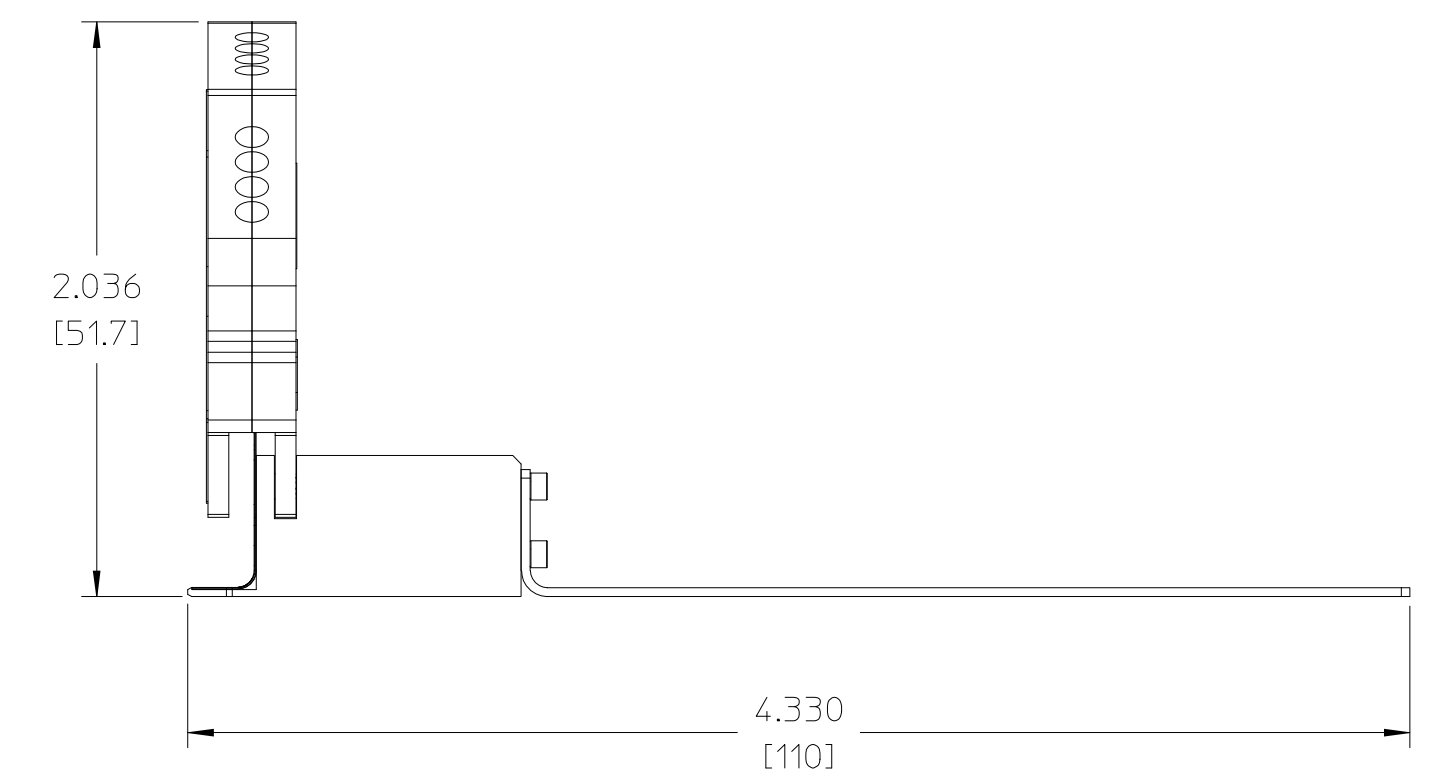
OPTIONAL KIT INCLUDES LENGTH ADAPTER BRACKET AND MOUNTING SCREWS



OPTIONAL KIT INCLUDES LENGTH ADAPTER BRACKET AND MOUNTING SCREWS



OPTIONAL KIT INCLUDES LENGTH ADAPTER BRACKET AND MOUNTING SCREWS



OPTIONAL KIT INCLUDES LENGTH ADAPTER BRACKET AND MOUNTING SCREWS

NOTE: COMPLETE OPTIONAL KIT (600-1096-000) INCLUDES ALL FOUR VERSIONS OF LENGTH ADAPTERS AND ONE SET OF MOUNTING SCREWS