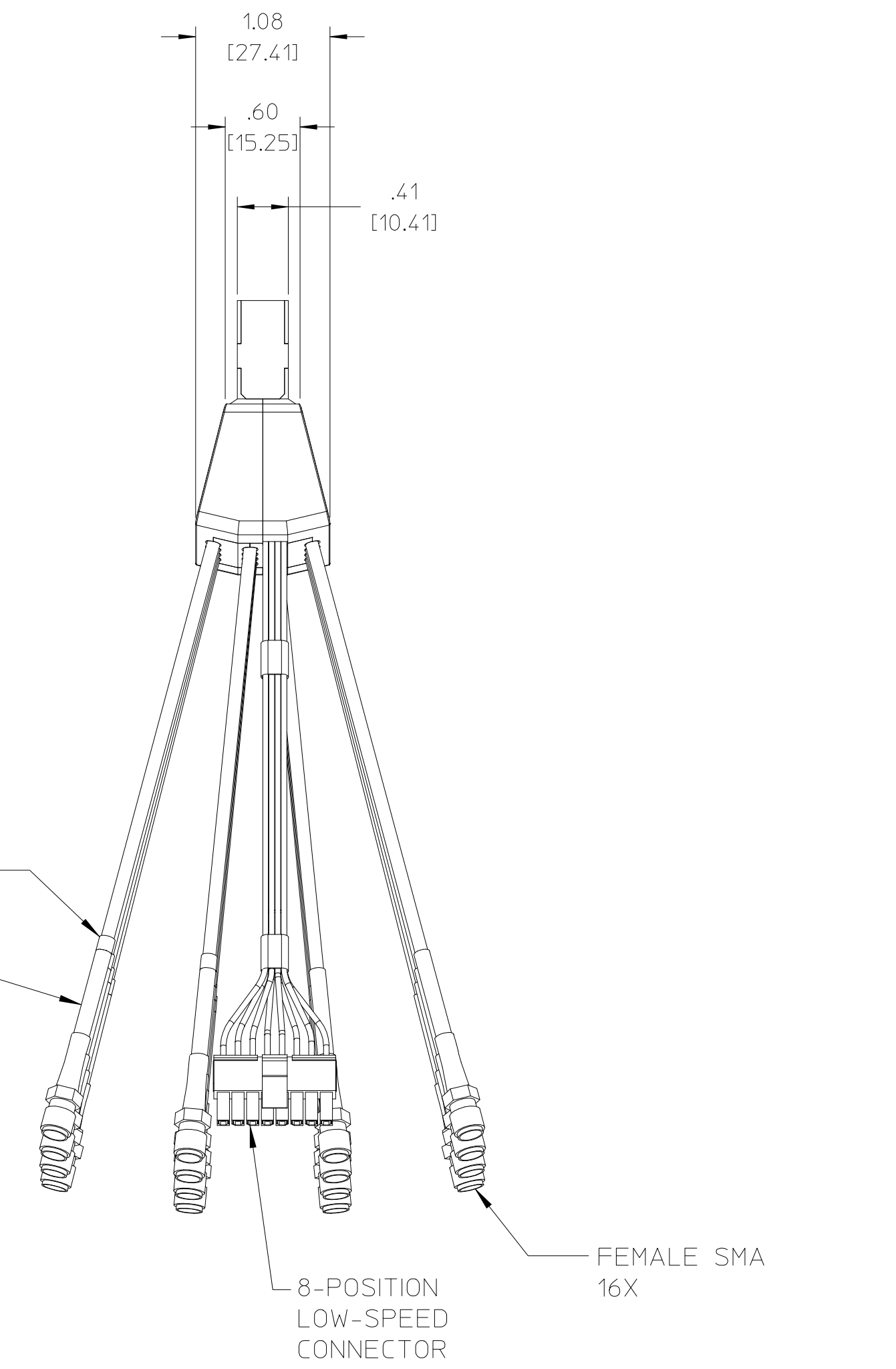
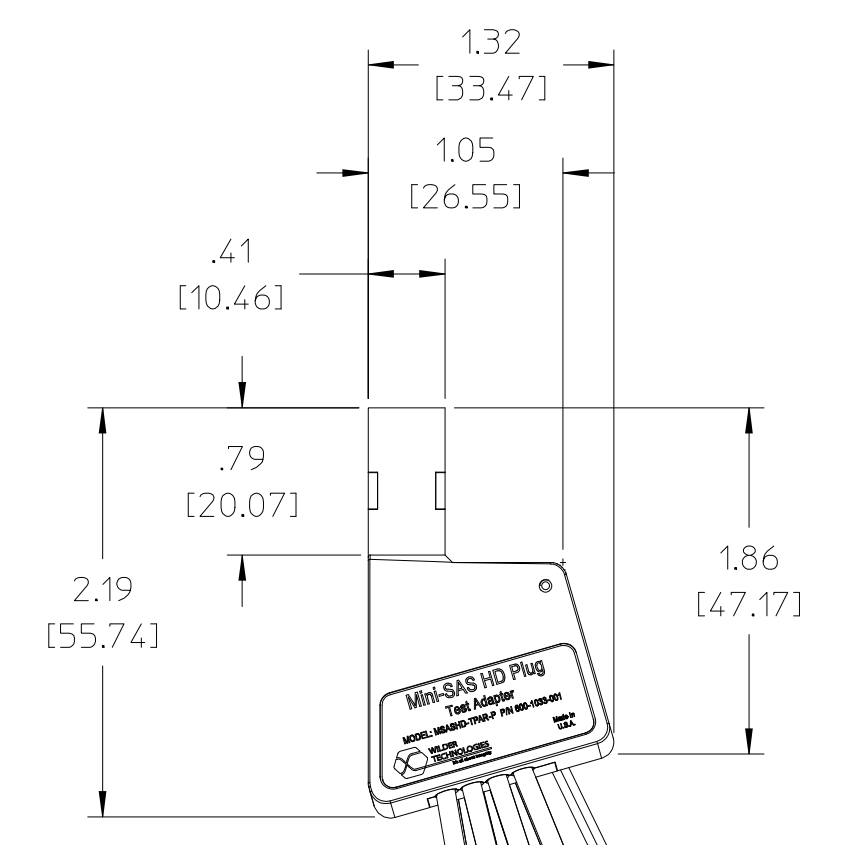
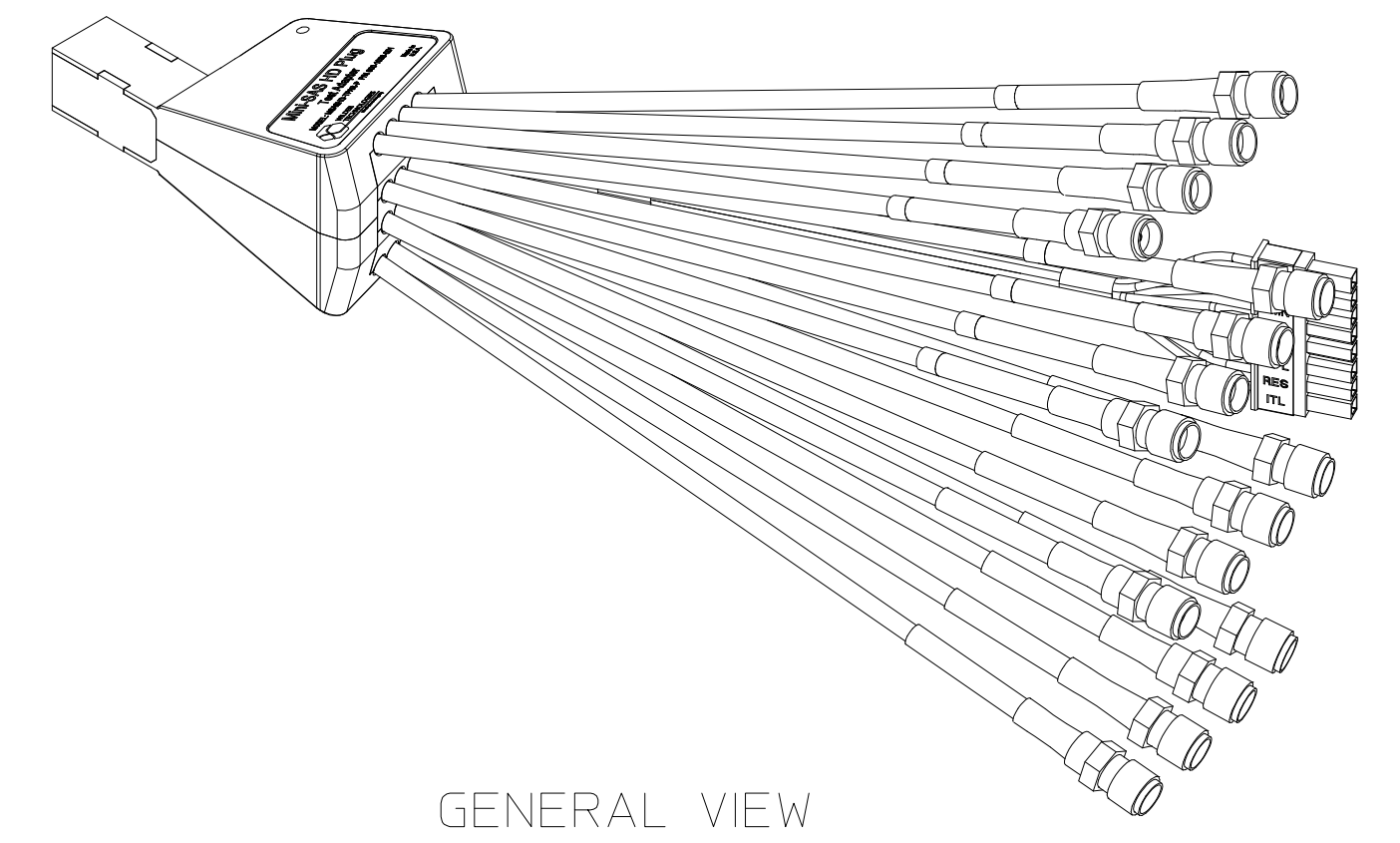
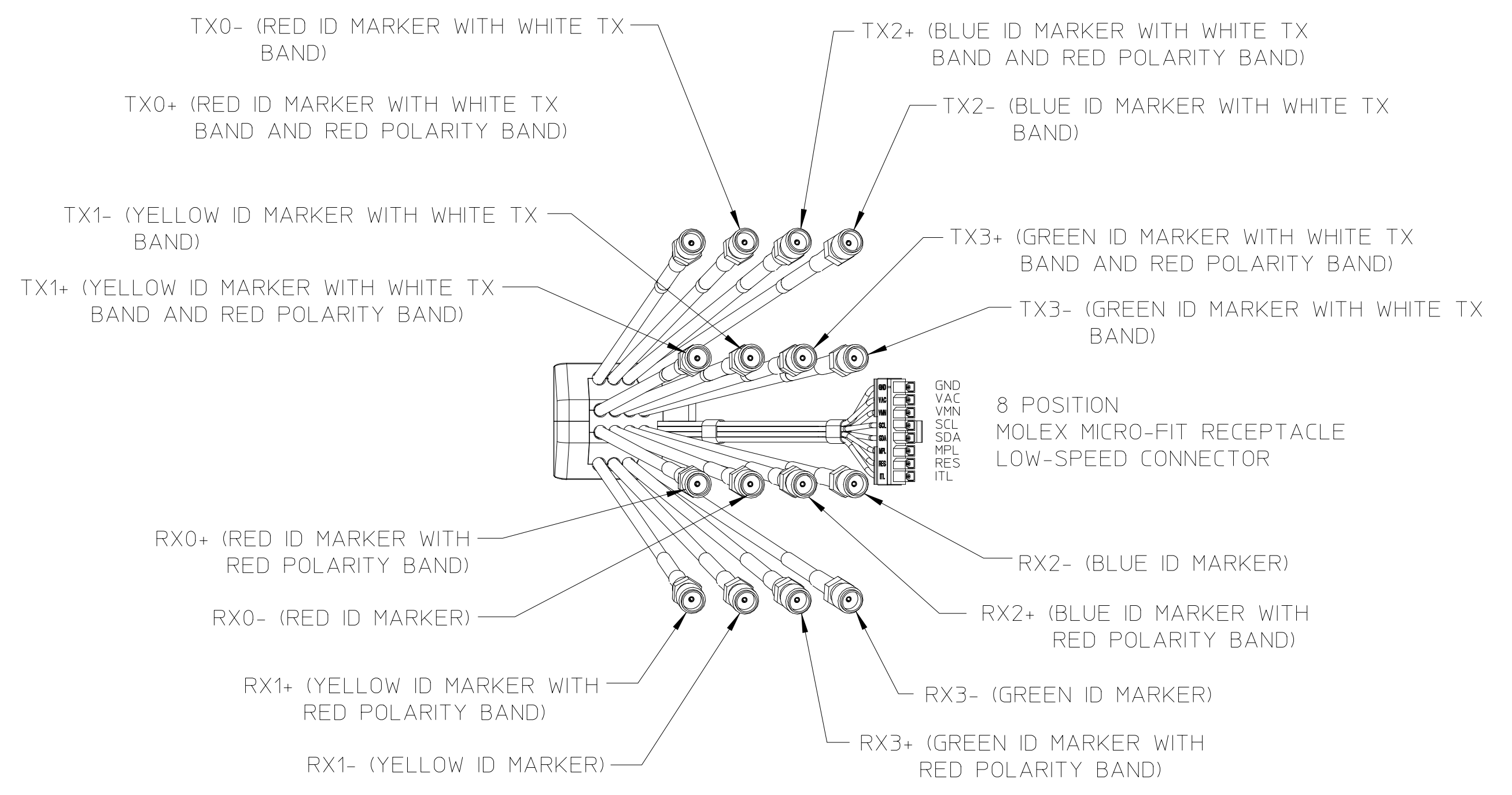


REVISIONS				
REV	AUTH	DESCRIPTION	APVD DATE	CHK DATE
A	XXXX	INITIAL RELEASE	TD	4/25/2011



FEMALE SMA 16X



GENERAL VIEW

- NOTE: UNLESS OTHERWISE SPECIFIED
1. INTERPRET DIMENSIONS AND TOLERANCES PER ANSI Y14.5.
  2. REFER TO THE USERS MANUAL FOR DETAILED MECHANICAL AND ELECTRICAL SPECIFICATIONS.
  3. THE LOW-SPEED INTERFACE CABLE ASSEMBLY AND RECEPTACLE CONNECTOR HAS A MATING PLUG AND CONTACT PINS FOR USERS.

UNLESS OTHERWISE SPECIFIED DIMENSIONS ARE IN INCHES (METRIC) .XXX ± .005 ± .127 ± .XX ± .01 ± .25 ± .X ± .12 ± .3 ± ANGLE ± 1° ± 1°			6101A East 18th St. Vancouver, WA 98661 Tel: 360-859-3041 Fax: 360-859-3105 www.wilder-tech.com	
	DRAWN BY:	T. DELUCCO	DATE:	4/25/2011
MATERIAL:	CHECKED BY:	DATE:		
APPROVED BY:	DATE:			
DESCRIPTION: ASSEMBLY, FINAL, MINI-SAS HD, PLUG, RIGHT MSASHD-TPAR-P				
FINISH:	SIZE	PART NUMBER:	REV	
	D	600-1033-001	A	
SCALE: 1:1		DO NOT SCALE DRAWING		SHEET 3 OF 3