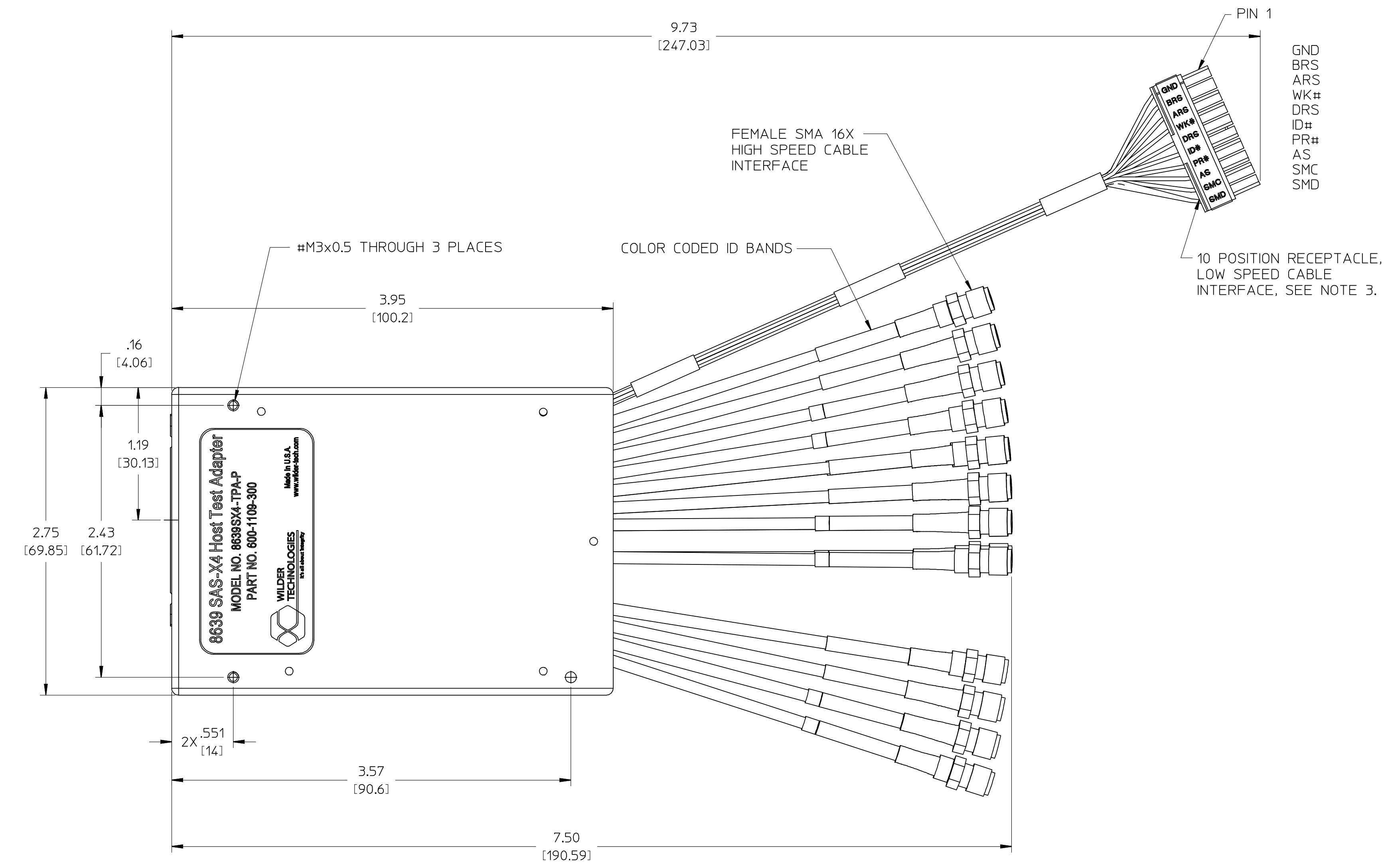
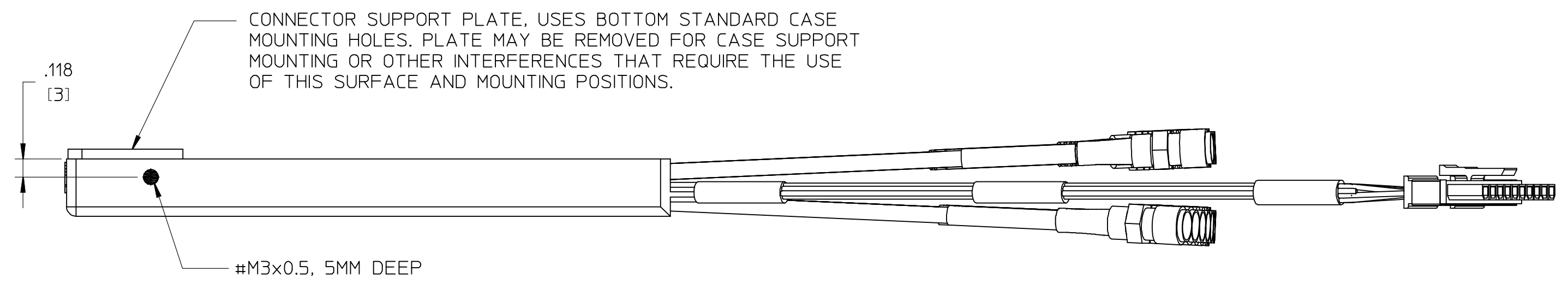
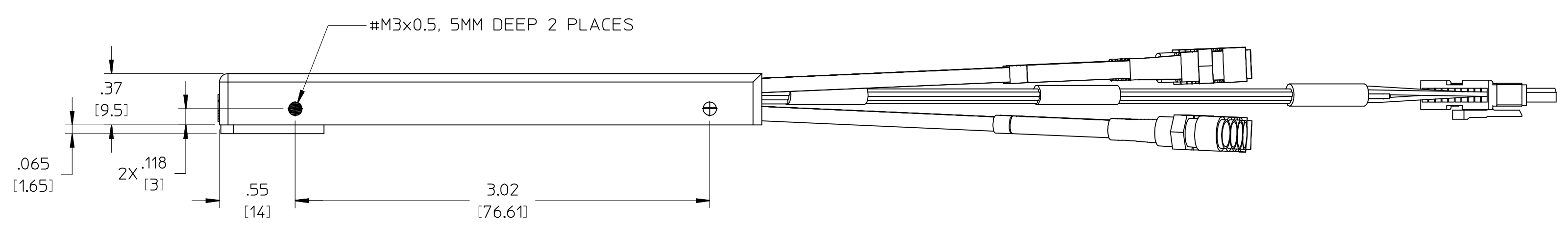
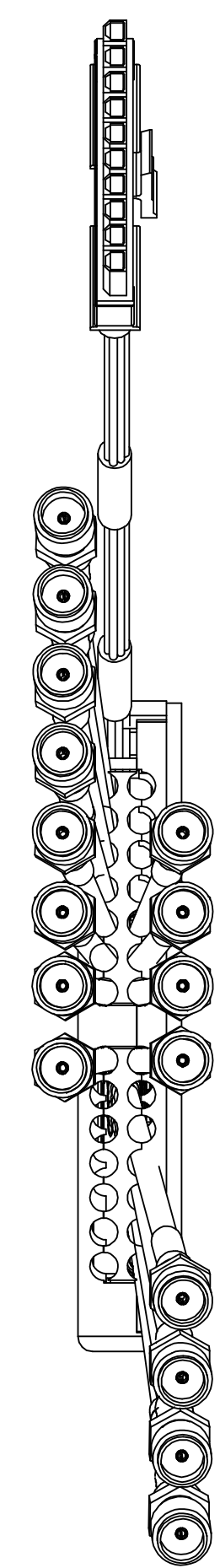


THIS DOCUMENT CONTAINS PROPRIETARY INFORMATION AND IS THE PROPERTY OF WILDER TECHNOLOGIES. THIS INFORMATION SHALL NOT BE REPRODUCED, TRANSFERRED TO OTHER DOCUMENTS, DISCLOSED TO OTHERS FOR MANUFACTURING OR ANY OTHER PURPOSE WITHOUT WRITTEN PERMISSION FROM WILDER TECHNOLOGIES.

REVISIONS				
REV	AUTH	DESCRIPTION	APVD DATE	CHK DATE
A	ECNXXXX	PRELIMINARY RELEASE		4/21/2014



- HOST PER1+ GREEN (W/RED MARKER BAND)
- HOST PER1- GREEN
- HOST PET1- GREEN (W/WHITE MARKER BAND)
- HOST PET1+ GREEN (W/WHITE AND RED MARKER BANDS)
- HOST S1R+ VIOLET (W/RED MARKER BAND)
- HOST S1R- VIOLET
- HOST S1T- VIOLET (W/WHITE MARKER BAND)
- HOST S1T+ VIOLET (W/WHITE AND RED MARKER BANDS)
- HOST PER2+ BLUE (W/RED MARKER BAND)
- HOST PER2- BLUE
- HOST PET2- BLUE (W/WHITE MARKER BAND)
- HOST PET2+ BLUE (W/WHITE AND RED MARKER BANDS)
- HOST S0R+ ORANGE (W/RED MARKER BAND)
- HOST S0R- ORANGE
- HOST S0T- ORANGE (W/WHITE MARKER BAND)
- HOST S0T+ ORANGE (W/WHITE AND RED MARKER BANDS)



4. REFER TO THE USERS MANUAL FOR DETAILED MECHANICAL AND ELECTRICAL SPECIFICATIONS.
 3. A CABLE INTERFACE PLUG CONNECTOR AND CONTACTS FOR THE LOW SPEED CABLE IS PROVIDED WITH THIS ASSEMBLY. MOLEX PART NUMBER 43640-1001 AND CONTACTS 43031-0011 FOR 26-30 AWG WIRE. FURTHER REPLACEMENT CAN BE PURCHASED THROUGH MOLEX DISTRIBUTORS.
 2. COLOR CODING BANDS ON CABLES, RED BAND DENOTES POSITIVE BLACK (NO BAND) DENOTES NEGATIVE. SMALL WHITE BANDS DENOTE TRANSMIT SIGNALS.
 1. INTERPRET DIMENSIONS AND TOLERANCES PER ANSI Y14.5.
- NOTE: UNLESS OTHERWISE SPECIFIED

UNLESS OTHERWISE SPECIFIED DIMENSIONS ARE IN INCHES (METRIC)		WILDER TECHNOLOGIES		6101A East 18th St Vancouver, WA 98661	
.XXX	± .005	.127	±	Tel: 360-859-3011 Fax: 360-859-3105 www.wildertech.com	
.XX	± .01	.25	±		
.X	± .12	.3	±		
ANGLE	± 1°	1°			
DRAWN BY: W. STANLEY		DATE: 4/21/2014			
CHECKED BY:		DATE:			
APPROVED BY:		DATE:			
MATERIAL:		DESCRIPTION:			
		ASSEMBLY 8639 SAS-X4 HOST TEST ADAPTER (PLUG)			
FINISH:		SIZE	PART NUMBER:	REV	
		D	600-1109-300	A	
		SCALE: 1:1	DO NOT SCALE DRAWING	SHEET 1 OF 3	