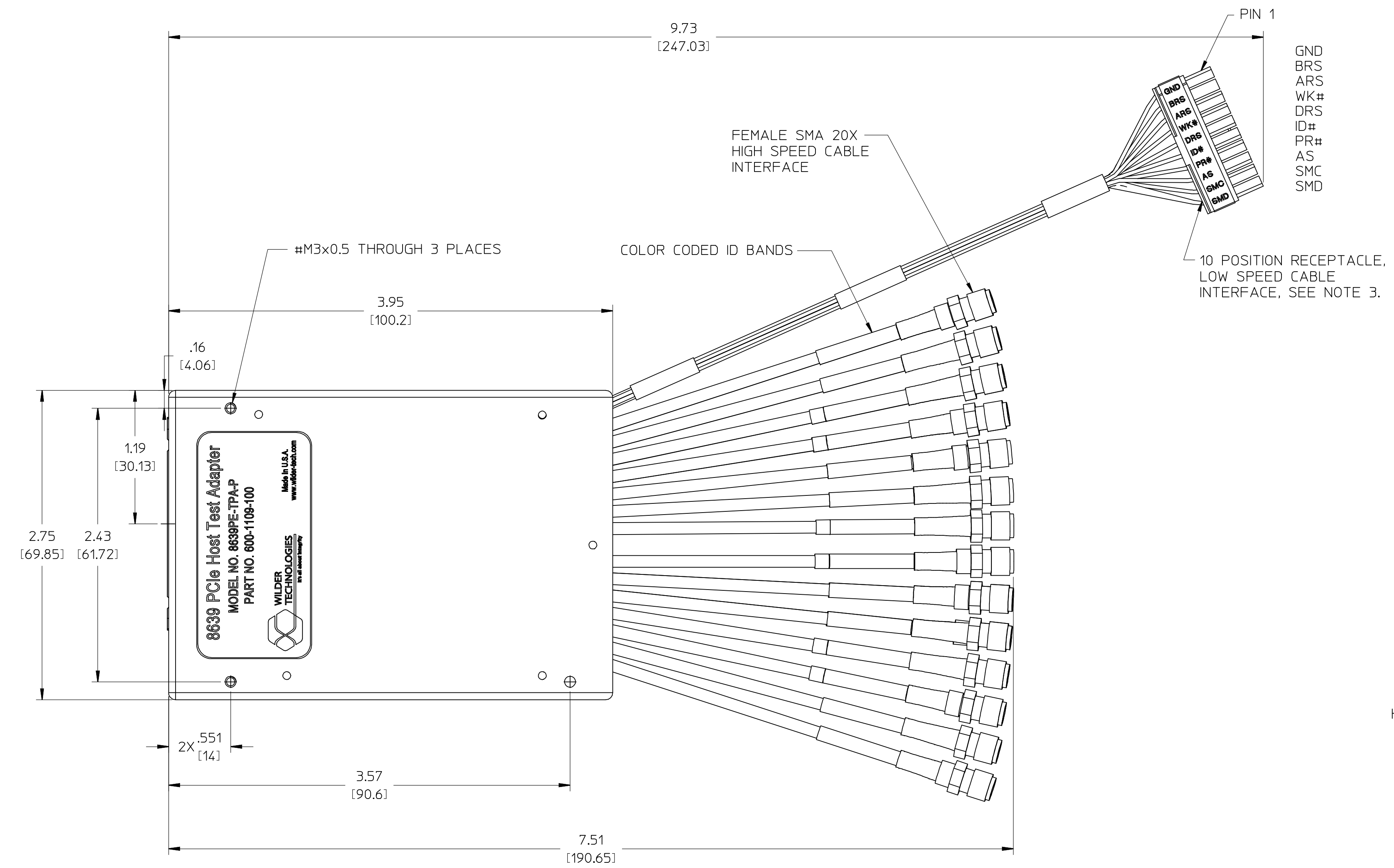
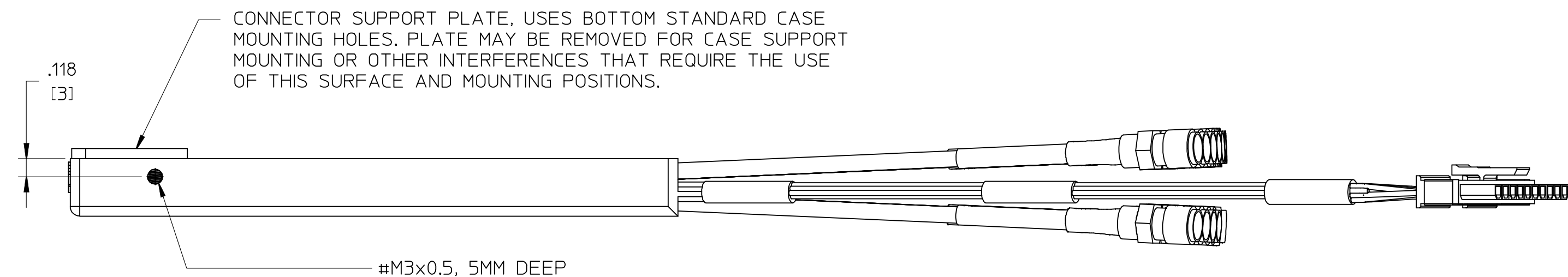
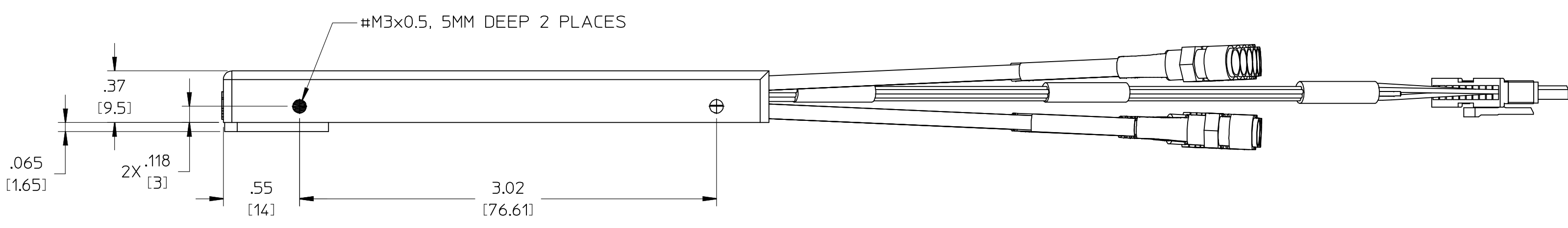


THIS DOCUMENT CONTAINS PROPRIETARY INFORMATION AND IS THE PROPERTY OF WILDER TECHNOLOGIES. THIS INFORMATION SHALL NOT BE REPRODUCED, TRANSFERRED TO OTHER DOCUMENTS, DISCLOSED TO OTHERS FOR MANUFACTURING OR ANY OTHER PURPOSE WITHOUT WRITTEN PERMISSION FROM WILDER TECHNOLOGIES.

REVISIONS				
REV	AUTH	DESCRIPTION	APVD DATE	CHK DATE
A	ECNXXXX	PRELIMINARY RELEASE		4/21/2014



- HOST PER1+ GREEN (W/RED MARKER BAND)
- HOST PER1- GREEN
- HOST PET1- GREEN (W/WHITE MARKER BAND)
- HOST PET1+ GREEN (W/WHITE AND RED MARKER BANDS)
- HOST PER0+ YELLOW (W/RED MARKER BAND)
- HOST PER0- YELLOW
- HOST PET0- YELLOW (W/WHITE MARKER BAND)
- HOST PET0+ YELLOW (W/WHITE AND RED MARKER BANDS)
- HOST RCLKA- WHITE
- HOST RCLKA+ WHITE (W/RED MARKER BAND)
- HOST PER3+ RED (W/RED MARKER BAND)
- HOST PER3- RED
- HOST PET3- RED (W/WHITE MARKER BAND)
- HOST PET3+ RED (W/WHITE AND RED MARKER BANDS)
- HOST PER2+ BLUE (W/RED MARKER BAND)
- HOST PER2- BLUE
- HOST PET2- BLUE (W/WHITE MARKER BAND)
- HOST PET2+ BLUE (W/WHITE AND RED MARKER BANDS)
- HOST RCLKB- WHITE
- HOST RCLKB+ WHITE (W/RED MARKER BAND)



4. REFER TO THE USERS MANUAL FOR DETAILED MECHANICAL AND ELECTRICAL SPECIFICATIONS.
 3. A CABLE INTERFACE PLUG CONNECTOR AND CONTACTS FOR THE LOW SPEED CABLE IS PROVIDED WITH THIS ASSEMBLY. MOLEX PART NUMBER 43640-1001 AND CONTACTS 43031-0011 FOR 26-30 AWG WIRE. FURTHER REPLACEMENT CAN BE PURCHASED THROUGH MOLEX DISTRIBUTORS.
 2. COLOR CODING BANDS ON CABLES, RED BAND DENOTES POSITIVE BLACK (NO BAND) DENOTES NEGATIVE. SMALL WHITE BANDS DENOTE TRANSMIT SIGNALS.
 1. INTERPRET DIMENSIONS AND TOLERANCES PER ANSI Y14.5.
- NOTE: UNLESS OTHERWISE SPECIFIED

UNLESS OTHERWISE SPECIFIED DIMENSIONS ARE INCHES [METRIC]		WILDER TECHNOLOGIES		6101A East 18th St. Vancouver, WA 98661 Tel: 360-859-3041 Fax: 360-859-3105 www.wilder-tech.com	
XXX + .005 + .027 +	XX + .01 + .25 +	DRAWN BY: W. STANLEY		DATE: 4/21/2014	
X + .12 + .3 +	ANGLE + ° + °	CHECKED BY:		DATE:	
MATERIAL:		APPROVED BY:		DATE:	
DESCRIPTION: ASSEMBLY 8639 PCIe HOST TEST ADAPTER (PLUG)					
FINISH:	SIZE	PART NUMBER:	REV		
	D	600-1109-100	A		
SCALE: 1:51		DO NOT SCALE DRAWING		SHEET 1 OF 3	