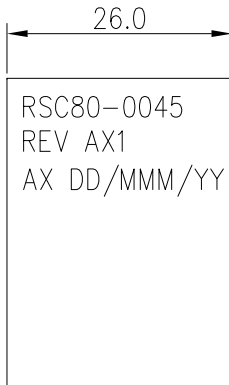
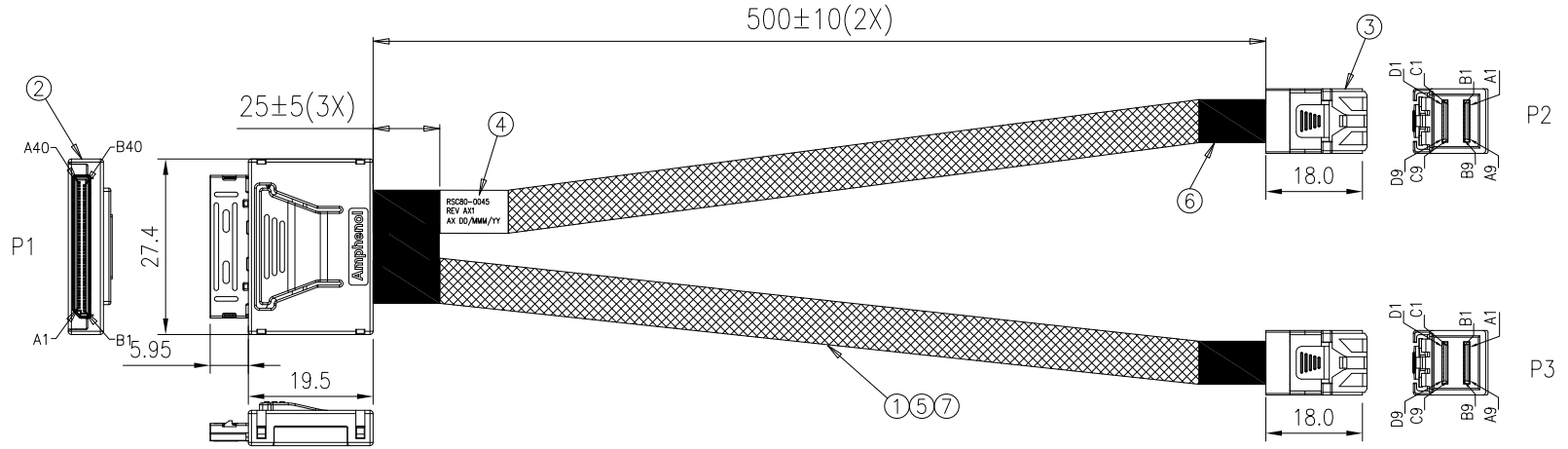


The marking on this product doesn't contain environmental hazardous materials per directive 2011/65/EU for RoHS compliance.

REVISIONS					
ECN NO.	REV.	DESCRIPTIONS	CHECKED	APPROVED	DATE
REV.	AX1	INITIAL RELEASE	KOCHI	DAVID	12/20/2016

- NOTE:
1. THE CABLE ASSEMBLY SHALL BE MEET RoHS2.0 COMPLIANT.  
该产品通过RoHS2.0认证.
  2. THE CABLE ASSEMBLY SHALL MEET BELOW IMPEDANCE REQUIREMENT:  
TERMINATION AREA: 85±15% OHMS, CABLE ABSOLUTE AREA: 85±10% OHMS.  
该产品满足下面阻抗特性: 接触区域85±15% 欧姆, 线材为85±10% 欧姆.
  3. ELECTRICAL AND MECHANICAL PERFORMANCE SHALL MEET PCIe GEN3 SPECIFICATION.  
电气性能满足PCIe GEN3规范.



LABEL DETAIL

7	H03302320X	WIRE,32AWG,UL3302,7/0.08,HF,VW-1,NO MARKING	A/R
6	HMMTP00012	ACETATE TAPE:W=1INCH,HF	A/R
5	HMTBD000501	EXPANDO TUBE:OD=5MM,BLACK,VW-1,HF	A/R
4	HMLSB57262	LABEL:57*26MM,BLANK,WHT,R2,HF	1
3	ASTB643-0036-04	HD MINI SAS 36P STR	2
2	OCL80-0002	X8 STRAIGHT ACTIVE OCULINK PLUG.100ohm	1
1	RWSS320006	SAS CBL:32#2C+2D+AM+HM,0D0.65*1.56,BLU,85Ω,VW-1	A/R
ITEM	P/N	DESCRIPTION	QTY

This drawing is the property of Serial Cables and is delivered on the express condition that it is not to be disclosed, reproduced or used, in whole or in part, for manufacture or sale by anyone other than Serial Cables without its prior consent, and that no right is granted to disclose or use any information in this drawing.



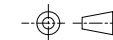
GENERAL TOLERANCES

.X:	± 0.5
.XX:	± 0.3
.XXX:	± 0.01
ANGULAR:	± 1°

DRAWN:	HARVEY HUANG	DATE:	12/20/2016
CHECKED:	KOCHI HU	DATE:	12/20/2016
APPROVED:	DAVID CHAN	DATE:	12/20/2016

TITLE:  
SC P/N:RSC80-0045  
OCULINK 8X STR TO 2X HD MINISAS 4X STR

DWG. No.: RML80-0045



SCALE: NONE

SHEET 1 OF 3

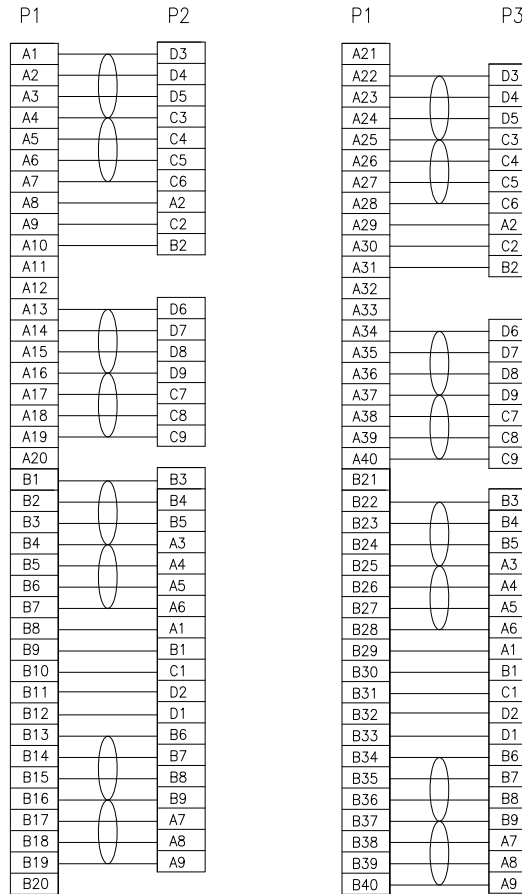
UNIT: MM

SIZE: A4

REV.: AX1

The marking on this product doesn't contain environmental hazardous materials per directive 2011/65/EU for RoHS compliance.

REVISIONS					
ECN NO.	REV.	DESCRIPTIONS	CHECKED	APPROVED	DATE
REV.					



WIRE TABLE

GENERAL TOLERANCES	
.X:	± 0.5
.XX:	± 0.3
.XXX:	± 0.01
ANGULAR:	± 1°

This drawing is the property of Serial Cables and is delivered on the express condition that it is not to be disclosed, reproduced or used, in whole or in part, for manufacture or sale by anyone other than Serial Cables without its prior consent, and that no right is granted to disclose or use any information in this drawing.

DRAWN:	HARVEY HUANG	DATE:	12/20/2016
CHECKED:	KOCHI HU	DATE:	12/20/2016
APPROVED:	DAVID CHAN	DATE:	12/20/2016



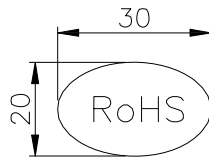
TITLE:		
SC P/N:RSC80-0045 OCULINK 8X STR TO 2X HD MINISAS 4X STR		
DWG. No.: RML80-0045		
	SCALE: NONE	SHEET 2 OF 3
	UNIT: MM	SIZE: A4
	REV.: AX1	

The marking on this product doesn't contain environmental hazardous materials per directive 2011/65/EU for RoHS compliance.

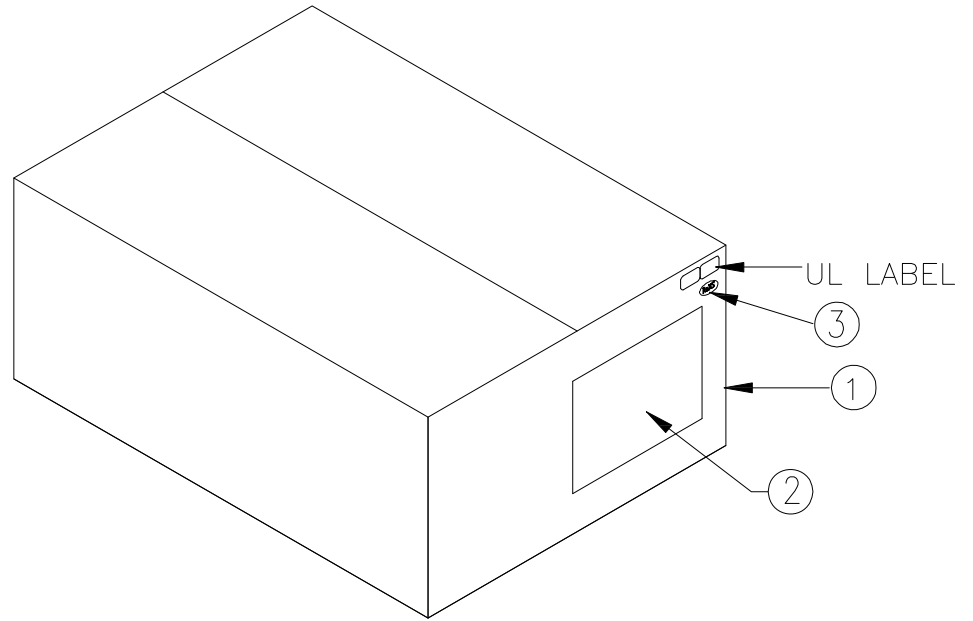
REVISIONS					
ECN NO.	REV.	DESCRIPTIONS	CHECKED	APPROVED	DATE
REL.					

LABEL 2

PN: RSC80-0045/RML80-0045



LABEL 3



3	RMLSW30201	RoHS LABEL:30*20MM, LABEL5 INFO	1
2	RMLSB00401	LABEL3:100*40MM,WHT,BLANK,R2	1
1	RMBCTN0019	CARTON:590*240*200MM E TYPE	1
ITEM	PART NUMBER	DESCRIPTION	Q'TY

This drawing is the property of Serial Cables and is delivered on the express condition that it is not to be disclosed, reproduced or used, in whole or in part, for manufacture or sale by anyone other than Serial Cables without its prior consent, and that no right is granted to disclose or use any information in this drawing.

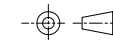


GENERAL TOLERANCES

.X:	± 0.5	DRAWN:	HARVEY HUANG	DATE:	12/20/2016
.XX:	± 0.3	CHECKED:	KOCHI HU	DATE:	12/20/2016
.XXX:	± 0.01	APPROVED:	DAVID CHAN	DATE:	12/20/2016
ANGULAR:	± 1°				

TITLE:  
SC P/N:RSC80-0045  
OCULINK 8X STR TO 2X HD MINISAS 4X STR

DWG. No.: RML80-0045



SCALE:	NONE	SHEET	3 OF 3
UNIT:	MM	SIZE:	A4
REV.:	AX1		