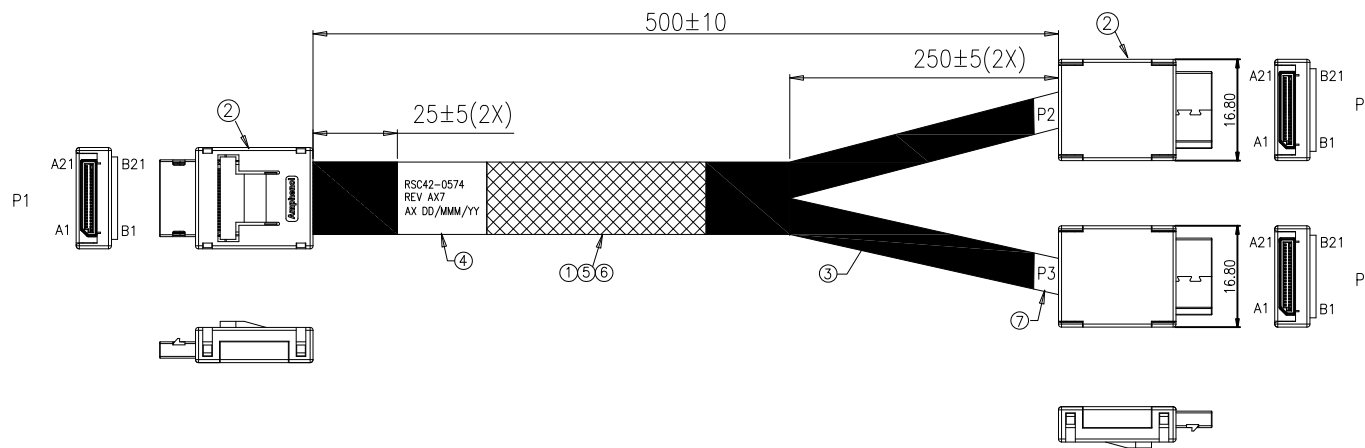


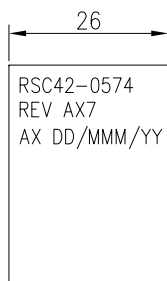
The marking on this product doesn't contain environmental hazardous materials per directive 2011/65/EU for RoHS compliance.

- NOTE:
 1. THE CABLE ASSEMBLY SHALL BE MEET RoHS2.0 COMPLIANT.
 该产品通过RoHS2.0认证。
 2. THE CABLE ASSEMBLY SHALL MEET BELOW IMPEDANCE REQUIREMENT:
 TERMINATION AREA: 85±15% OHMS, CABLE ABSOLUTE AREA: 85±10% OHMS.
 该产品满足下面阻抗特性: 接触区域85±15% 欧姆, 线材为85±10% 欧姆。
 3. ELECTRICAL AND MECHANICAL PERFORMANCE SHOULD MEET THE PCIE Gen3 INDUSTRIAL STANDARND.
 电气和机械特性遵循PCIE Gen3工业标准。

REVISIONS					
ECN NO.	REV.	DESCRIPTIONS	CHECKED	APPROVED	DATE
	REV.	AX4	HANK	KASUN	07/26/2017
		AX5	HANK	KASUN	07/28/2017
		AX6	HANK	KASUN	08/04/2017
		AX7	JUSTIN	KASUN	09/11/2017



P1		P2		P3	
A1	RESERVED	B1	RESERVED		
A2	GROUND	B2	GROUND		
A3	PERp0	B3	PETp0		
A4	PERn0	B4	PETn0		
A5	GROUND	B5	GROUND		
A6	PERp1	B6	PETp1		
A7	PERn1	B7	PETn1		
A8	GROUND	B8	GROUND		
A9		B9			
A10		B10			
A11	GROUND	B11	GROUND		
A12	VSP/REFCLK	B12	VSP/REFCLK		
A13	VSP/REFCLK	B13	VSP/REFCLK		
B2	GROUND	A2	GROUND		
B3	PETp0	A3	PERp0		
B4	PETn0	A4	PERn0		
B5	GROUND	A5	GROUND		
B6	PETp1	A6	PERp1		
B7	PETn1	A7	PERn1		
B8	GROUND	A8	GROUND		
B9	I2C/SMBUS	A9	I2C/SMBUS		
B10	I2C/SMBUS	A10	I2C/SMBUS		
B12		A12			
B13		A13			
A21	RESERVED	B21	RESERVED		
B1	RESERVED	B1	RESERVED		
A14	GROUND	B2	GROUND		
A15	PERp2	B3	PETp0		
A16	PERn2	B4	PETn0		
A17	GROUND	B5	GROUND		
A18	PERp3	B6	PETp1		
A19	PERn3	B7	PETn1		
A20	GROUND	B8	GROUND		
B11	GROUND				
B14	GROUND	A2	GROUND		
B15	PETp2	A3	PERp0		
B16	PETn2	A4	PERn0		
B17	GROUND	A5	GROUND		
B18	PETp3	A6	PERp1		
B19	PETn3	A7	PERn1		
B20	GROUND	A8	GROUND		
B21	RESERVED	B21	RESERVED		



LABEL DETAIL

7	HMLSB07301	LABEL:Synthetic Paper,7*30MM,WHT,HF	2
6	HO330232XX	WIRE,32AWG,UL3302,7/0.08,0D0.45,HF,VW-1,NO MARKING	A/R
5	HMTBD00501	EXPANDO TUBE:OD=5MM,BLACK,VW-1,HF	A/R
4	HMLSB57262	LABEL:57*26MM,BLANK,WHT,R2,HF	1
3	HMMTP00012	ACETATE TAPE:W=1INCH,HF	A/R
2	OCL42-0003	MiniLink,42POS,CONNECTOR, STR WITH ACTIVE LATCH	3
1	RWSS320006	SAS CBL:32#2C+2D+AM+HM,0D0.65*1.56,BLU,85Ω,VW-1	A/R
ITEM	P/N	DESCRIPTION	QTY

This drawing is the property of Serial Cables and is delivered on the express condition that it is not to be disclosed, reproduced or used, in whole or in part, for manufacture or sale by anyone other than Serial Cables without its prior consent, and that no right is granted to disclose or use any information in this drawing.



GENERAL TOLERANCES		DRAWN:		DATE:	
.X:	± 0.5	NATHAN CAO	09/11/2017		
.XX:	± 0.3				
.XXX:	± 0.01	JUSTIN OU	09/11/2017		
ANGULAR:	± 1°	KASUN LI	09/11/2017		

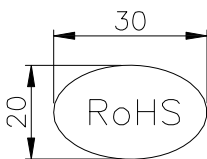
TITLE:		
SC P/N:RSC42-0574 OCULINK 4X STR TO STR		
DWG. No.: RML42-0574		
SCALE: NONE	SHEET 1 OF 2	
UNIT: MM	SIZE: A4	REV.: AX7

WIRE TABLE

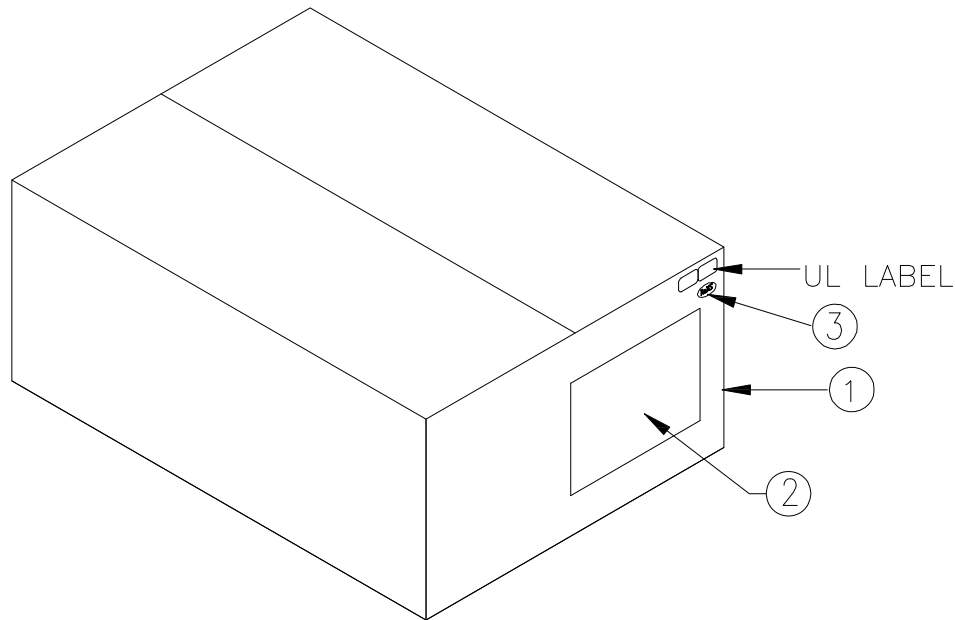
The marking on this product doesn't contain environmental hazardous materials per directive 2011/65/EU for RoHS compliance.

REVISIONS					
ECN NO.	REV.	DESCRIPTIONS	CHECKED	APPROVED	DATE
REL.					

LABEL 2
 PN: RSC42-0574/RML42-0574



LABEL 3



3	RMLSW30201	RoHS LABEL:30*20MM, LABEL5 INFO	1
2	RMLSB00401	LABEL3:100*40MM,WHT,BLANK,R2	1
1	RMBCTN0019	CARTON:590*240*200MM E TYPE	1
ITEM	PART NUMBER	DESCRIPTION	Q'TY

GENERAL TOLERANCES

.X:	± 0.5
.XX:	± 0.3
.XXX:	± 0.01
ANGULAR:	± 1°

This drawing is the property of Serial Cables and is delivered on the express condition that it is not to be disclosed, reproduced or used, in whole or in part, for manufacture or sale by anyone other than Serial Cables without its prior consent, and that no right is granted to disclose or use any information in this drawing.



DRAWN:	NATHAN CAO	DATE:	09/11/2017
CHECKED:	JUSTIN OU	DATE:	09/11/2017
APPROVED:	KASUN LI	DATE:	09/11/2017

TITLE:
 SC P/N:RSC42-0574
 OCULINK 4X STR TO STR

DWG. No.: RML42-0574

SCALE: NONE	SHEET 2 OF 2
UNIT: MM	SIZE: A4
REV.: AX7	