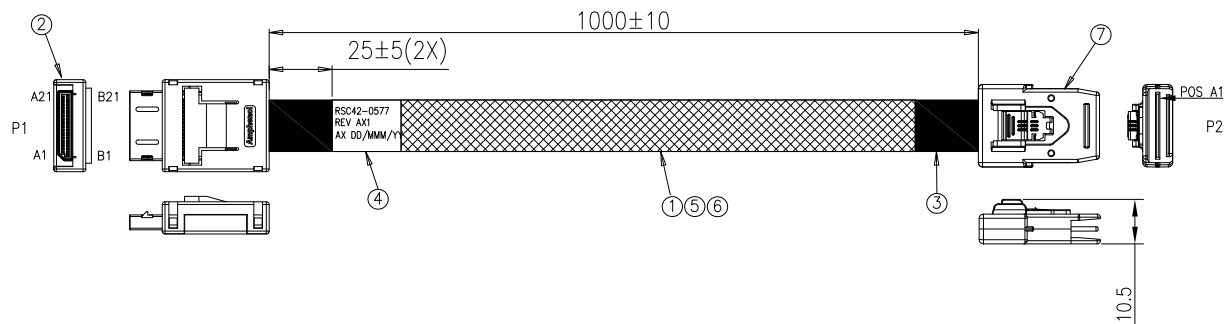


The marking on this product doesn't contain environmental hazardous materials per directive 2011/65/EU for RoHS compliance.

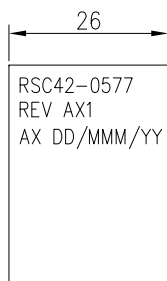
REVISIONS					
ECN NO.	REV.	DESCRIPTIONS	CHECKED	APPROVED	DATE
REV.	AX1	INITIAL RELEASE	KOCHI	DAVID	05/12/2017

- NOTE:
 1. THE CABLE ASSEMBLY SHALL BE MEET RoHS2.0 COMPLIANT.
 该产品通过RoHS2.0认证。
 2. THE CABLE ASSEMBLY SHALL MEET BELOW IMPEDANCE REQUIREMENT:
 TERMINATION AREA: 85±15% OHMS, CABLE ABSOLUTE AREA: 85±10% OHMS.
 该产品满足下面阻抗特性: 接触区域85±15% 欧姆, 线材为85±10% 欧姆。
 3. ELECTRICAL AND MECHANICAL PERFORMANCE SHOULD MEET THE PCIE Gen3 INDUSTRIAL STARDAND.
 电气和机械特性遵循PCIE Gen3工业标准。



P1		P2	
A1		B1	
A2		B2	
A3		B3	
A4		B4	
A5		B5	
A6		B6	
A7		B7	
A8		B8	
A9		B10	
A10		B9	
A11			
A12			
A13			
A14		B12	
A15		B13	
A16		B14	
A17		B15	
A18		B16	
A19		B17	
A20		B18	
B1		A1	
B2		A2	
B3		A3	
B4		A4	
B5		A5	
B6		A6	
B7		A7	
B8		A8	
B9		A9	
B10		A10	
B11		B11	
B12		A11	
B13		A12	
B14		A13	
B15		A14	
B16		A15	
B17		A16	
B18		A17	
B19		A18	
B20			

WIRE TABLE



LABEL DETAIL

7	AST8087-0036	SAS CBL:32#2C+2D+AM+HM,0D0.65*1.56,BLU,85OHM,R2	1
6	H03302320X	WIRE,32AWG,UL3302,7/0.08,HF,VW-1,NO MARKING	A/R
5	HMTBD00501	EXPANDO TUBE:OD=5MM,BLACK,VW-1,HF	A/R
4	HMLSB57262	LABEL:57*26MM,BLANK,WHT,R2,HF	1
3	HMMTP00012	ACETATE TAPE:W=1INCH,HF	A/R
2	OCL42-0003	Minilink,42POS,CONNECTOR, STR WITH ACTIVE LATCH	1
1	RWSS320006	SAS CBL:32#2C+2D+AM+HM,0D0.65*1.56,BLU,85Ω,VW-1	A/R
ITEM	P/N	DESCRIPTION	QTY

GENERAL TOLERANCES

.X:	± 0.5
.XX:	± 0.3
.XXX:	± 0.01
ANGULAR:	± 1°

This drawing is the property of Serial Cables and is delivered on the express condition that it is not to be disclosed, reproduced or used, in whole or in part, for manufacture or sale by anyone other than Serial Cables without its prior consent, and that no right is granted to disclose or use any information in this drawing.

DRAWN:	HARVEY HUANG	DATE:	05/12/2017
CHECKED:	KOCHI HU	DATE:	05/12/2017
APPROVED:	DAVID CHAN	DATE:	05/12/2017



TITLE:
 SC P/N:RSC42-0577
 OCULINK 4X STR TO MINI SAS 36P

DWG. No.: RML42-0577



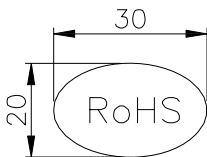
SCALE:	NONE	SHEET	1 OF 2
UNIT:	MM	SIZE:	A4
REV.:	AX1		

The marking on this product doesn't contain environmental hazardous materials per directive 2011/65/EU for RoHS compliance.

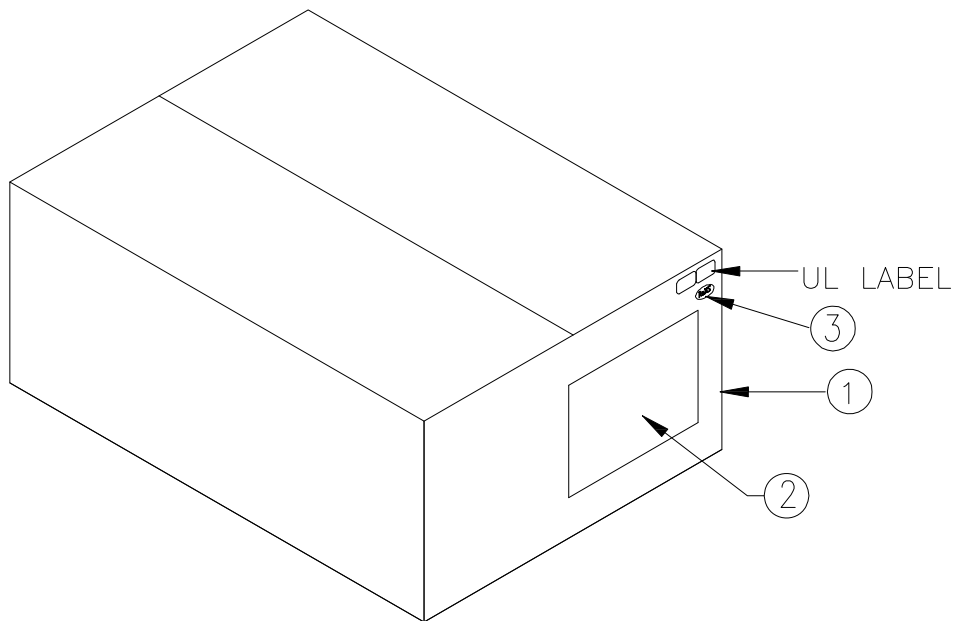
REVISIONS					
ECN NO.	REV.	DESCRIPTIONS	CHECKED	APPROVED	DATE
REL.					

LABEL 2

PN: RSC42-0577/RML42-0577



LABEL 3



3	RMLSW30201	RoHS LABEL:30*20MM, LABEL5 INFO	1
2	RMLSB00401	LABEL3:100*40MM,WHT,BLANK,R2	1
1	RMBCTN0019	CARTON:590*240*200MM E TYPE	1
ITEM	PART NUMBER	DESCRIPTION	Q'TY

GENERAL TOLERANCES

.X:	± 0.5
.XX:	± 0.3
.XXX:	± 0.01
ANGULAR:	± 1°

This drawing is the property of Serial Cables and is delivered on the express condition that it is not to be disclosed, reproduced or used, in whole or in part, for manufacture or sale by anyone other than Serial Cables without its prior consent, and that no right is granted to disclose or use any information in this drawing.



DRAWN:	HARVEY HUANG	DATE:	05/12/2017
CHECKED:	KOCHI HU	DATE:	05/12/2017
APPROVED:	DAVID CHAN	DATE:	05/12/2017

TITLE:		
SC P/N:RSC42-0577 OCULINK 4X STR TO MINI SAS 36P		
DWG. No.: RML42-0577		
SCALE: NONE	SHEET 2 OF 2	
UNIT: MM	SIZE: A4	REV.: AX1

